

135169 - White gloss
147873 - Stone gloss
147879 - Walnut

Before you start

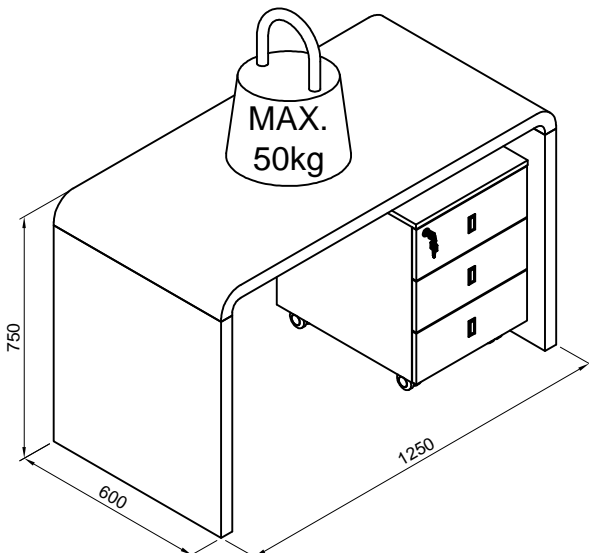
**IMPORTANT, RETAIN FOR FUTURE REFERENCE:
READ CAREFULLY**

Conditions for use of this product: Domestic
Please read Do's and Dont's carefully before
assembly start.

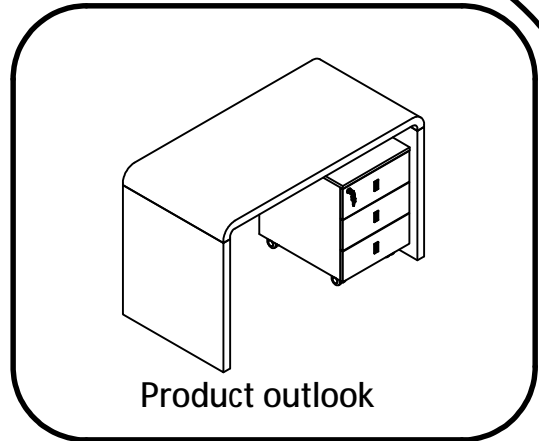


Warning

Ensure that that there are no cracks or damages
to this product before assembly
Check to ensure that all hardware and fittings
are present. Refer to page 3.
Keep small parts out of reach of children.



Dimensions 1250 x 600 x 750mm



Product outlook

Basic DIY skills required to assemble this
product

Number of people required
to assemble this product



Time taken to
assemble this
product



30 Minutes

Tools Required

refer to
components list
(page 3)



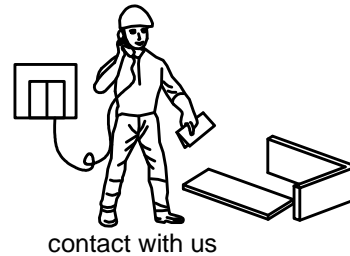
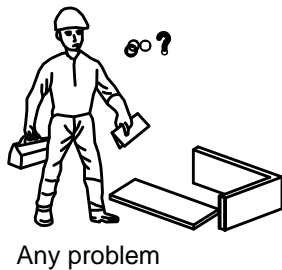
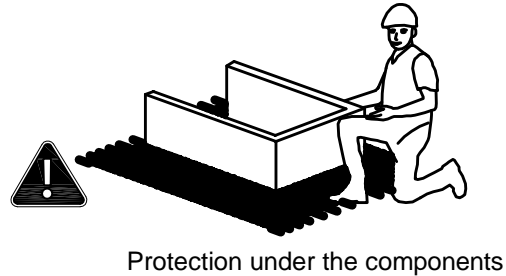
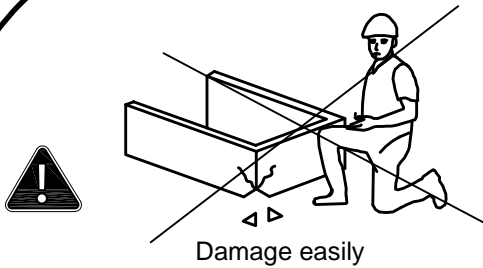
Warning

Prohibit child climbing

Please be careful to move the product
components during assembly.

MDF material are fragile easily. No sharp, hard
tools placed on the product surface.

Max loading weight is 50kgs



✓ Do's

- Please read the assembly instructions carefully.
- We can not accept return on any part or fully assembled products.
- Ensure you have all of the correct tools needed for assembly.
- Clear a plenty of space and clean, dry are to work.
- Unwrap all packaging materials and place the components on top of the carton box or on a clean floor to prevent it from scratching.
- Check all parts are present and correct according to components list.
- Keep these instructions for future assembly.



Caring for your product

PLEASE REFERE TO ATTACHED CARE INSTRUCTION

**✗ Dont's
Important**

- Do not use power tools to construct this product.
- Do not tighten screws until fully assembled.
- Do not over tighten screws or bolts.
- Do not use this product if parts are missing or damaged or worn.
- Never use a pressure hose or washer to clean the product.
- Never use scourers, abrasivew or chemical cleaners.

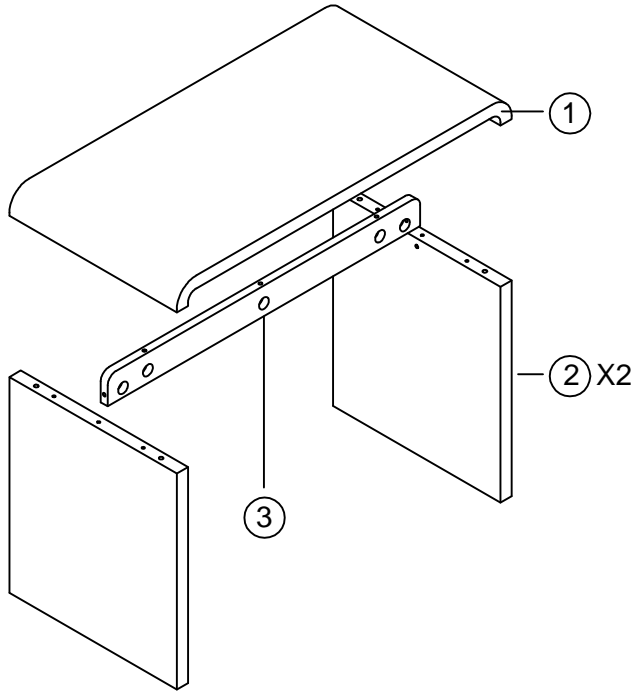
Missing parts

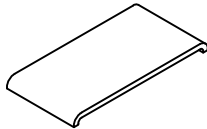
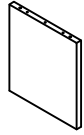
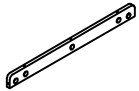
If you are missing any fixtures or fittings for your product please contact 08456 781 010 and we will be happy to send you a replacement part free of charge.

You can write to us at

Dwell UK
Unit 2
Brockley Way
Ridgmont
BEDFORD
MK43 OZY

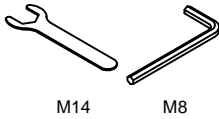
COMPONENTS



1		x1
2		x2
3		x1

TOOLS INCLUDED

TOOL
REQUIRED



M14

M8

HARDWARE



A x4
M10*680

B x5
M8*80

C x5
30*15*14

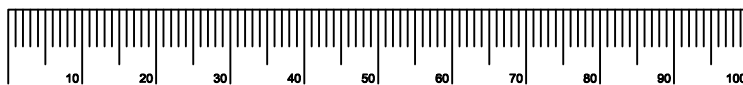
D x5
M8

E x5
Ø40

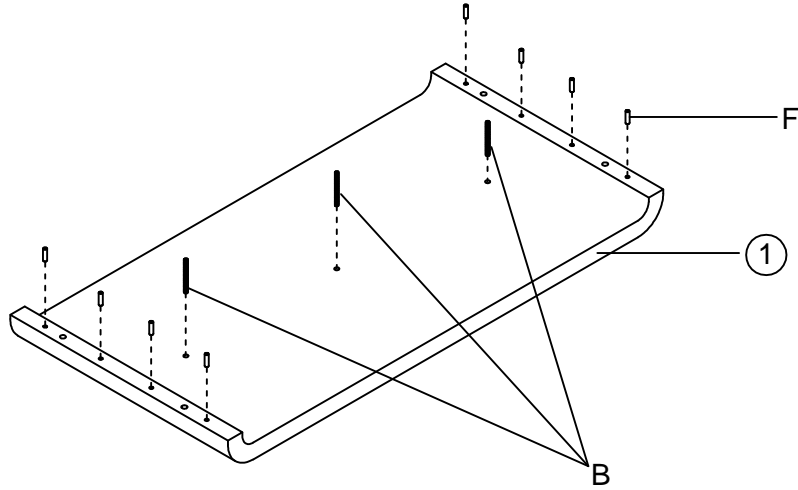
F x8
Ø7.8*40

G x4
Ø10*22*2

H x4
Ø10*16*3



1 ▷



TOOLS REQUIRED

HARDWARE

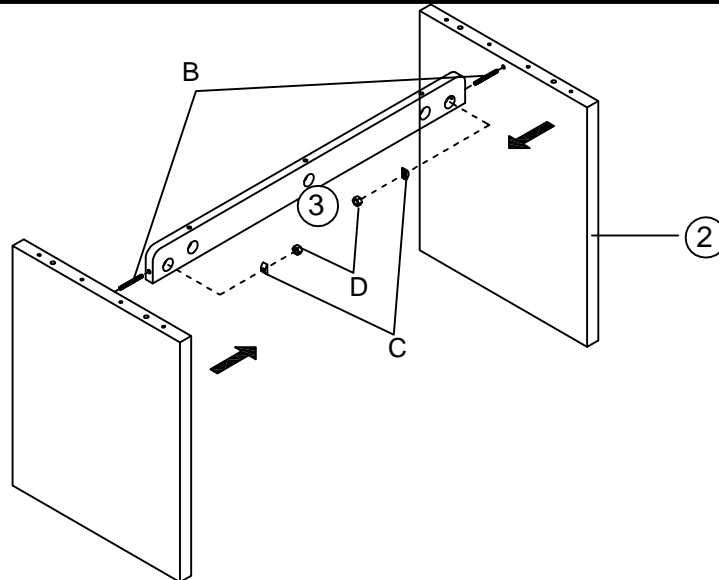


B x3
M8*80



F x8
Ø7.8*40

2 ▷



TOOLS REQUIRED

HARDWARE



M14



B x2
M8*80

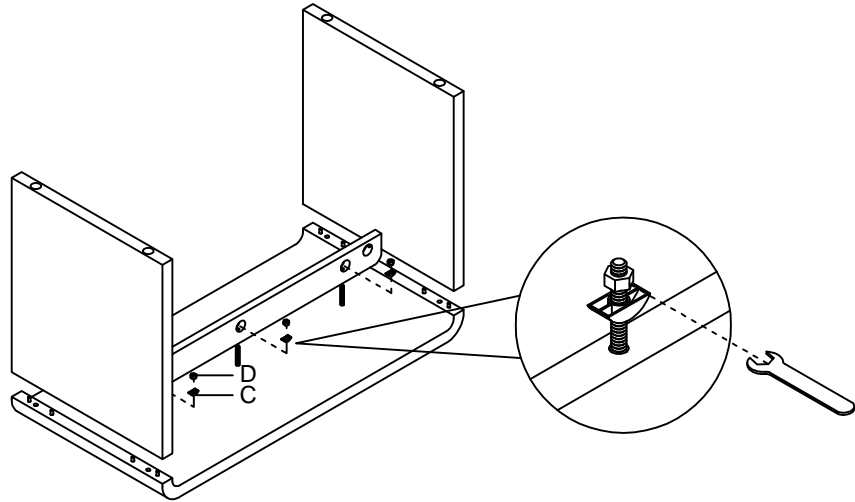


C x2
30*15*14

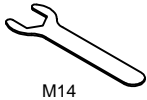


D x2
M8

3 ▷



TOOLS REQUIRED

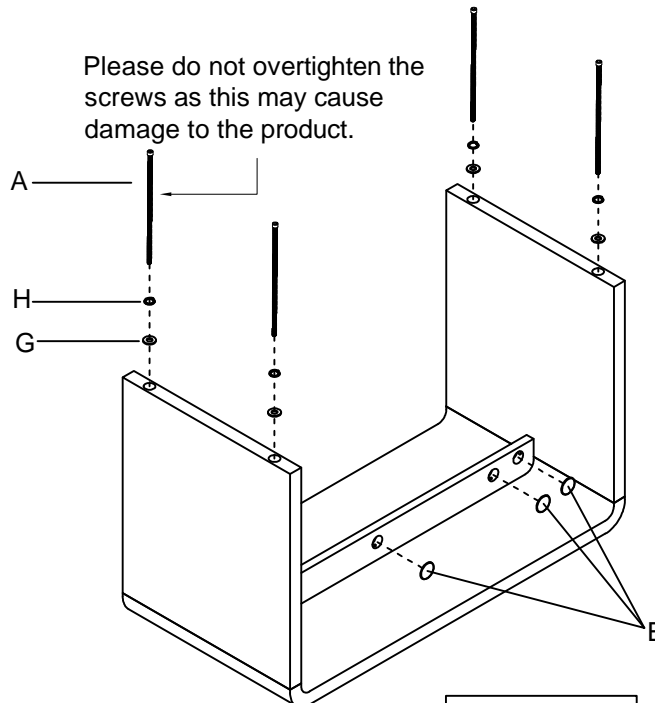


HARDWARE

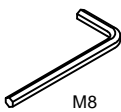


4 ▷

Please do not overtighten the screws as this may cause damage to the product.



TOOLS REQUIRED



HARDWARE

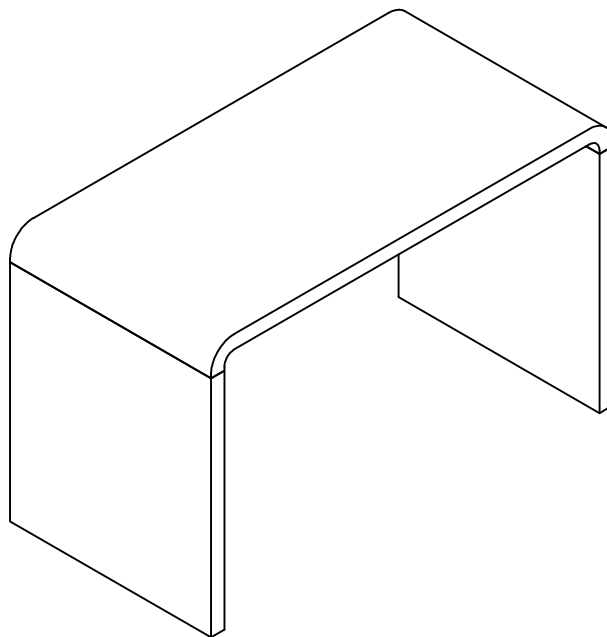


dwell
live like this

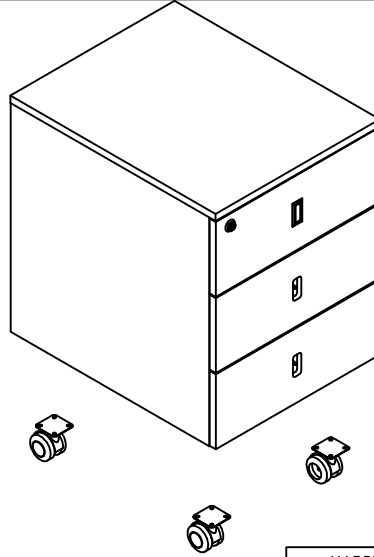
Hudson desk with drawers

AI-DT-7001B
AI-J9117

5 ▷



6 ▷



TOOLS REQUIRED

HARDWARE



I x2
Ø50*70

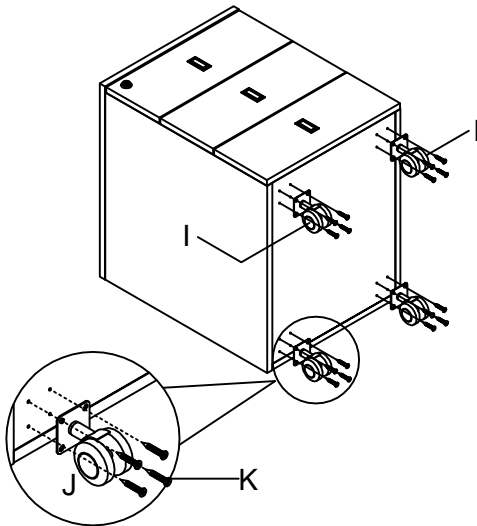


J x2
Ø50*70



K x16
M4*15

7 ▷



TOOLS REQUIRED

HARDWARE



I x2
Ø50*70



J x2
Ø50*70



K x16
M4*15

8 ▷

