

## Hudson compact desk

109294 - Black Gloss  
105771 - White Gloss  
110822 - Stone Gloss  
147877 - Walnut

### Before you start

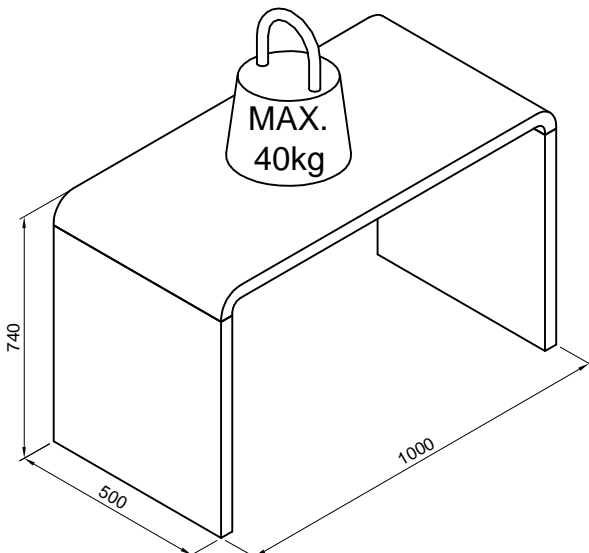
**IMPORTANT, RETAIN FOR FUTURE REFERENCE:  
READ CAREFULLY**

Conditions for use of this product: Domestic  
Please read Do's and Don't's carefully before  
assembly start.

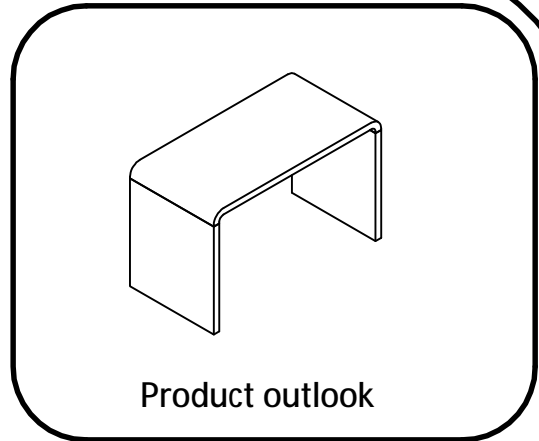


### Warning

Ensure that there are no cracks or damages  
to this product before assembly  
Check to ensure that all hardware and fittings  
are present. Refer to page 3.  
Keep small parts out of reach of children.



**Dimensions 1000 x 500 x 740mm**



**Product outlook**

Basic DIY skills required to assemble this  
product

Number of people required  
to assemble this product



Time taken to  
assemble this  
product



30 Minutes

Tools Required

refer to  
components list  
(page 3)



### Warning

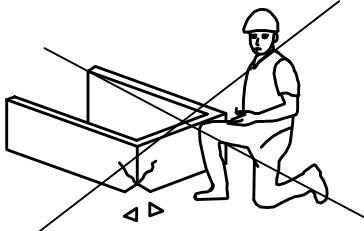
Prohibit child climbing

Please be careful to move the product  
components during assembly.

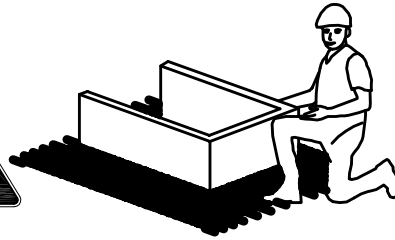
MDF material are fragile easily. No sharp, hard  
tools placed on the product surface.

Max loading weight is 40kgs

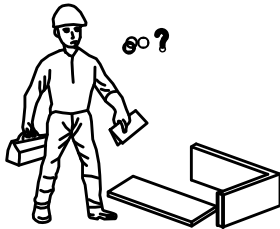
## Hudson compact desk



Damage easily



Protection under the components



Any problem



contact with us

### ✓ Do's

- Please read the assembly instructions carefully.
- We can not accept return on any part or fully assembled products.
- Ensure you have all of the correct tools needed for assembly.
- Clear a plenty of space and clean, dry are to work.
- Unwrap all packaging materials and place the components on top of the carton box or on a clean floor to prevent it from scratching.
- Check all parts are present and correct according to components list.
- Keep these instructions for future assembly.



### Caring for your product

PLEASE REFERE TO ATTACHED CARE INSTRUCTION

### ✗ Dont's Important

- Do not use power tools to construct this product.
- Do not tighten screws until fully assembled.
- Do not over tighten screws or bolts.
- Do not use this product if parts are missing or damaged or worn.
- Never use a pressure hose or washer to clean the product.
- Never use scourers, abrasivew or chemical cleaners.

### Missing parts

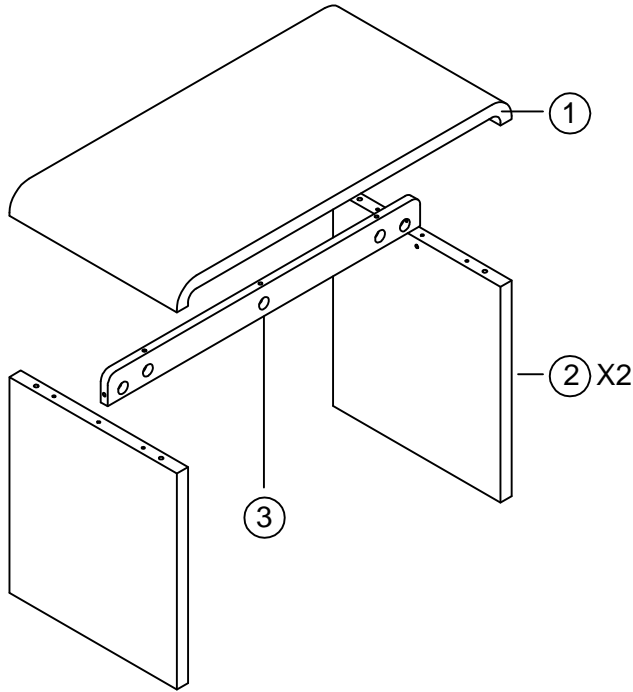
If you are missing any fixtures or fittings for your product please contact 08456 781 010 and we will be happy to send you a replacement part free of charge.

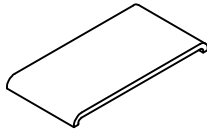
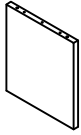
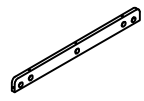
### You can write to us at

Dwell UK  
Unit 2  
Brockley Way  
Ridgmont  
BEDFORD  
MK43 0ZY

**Hudson compact desk**

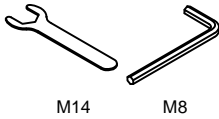
COMPONENTS



1		x1
2		x2
3		x1

TOOLS INCLUDED

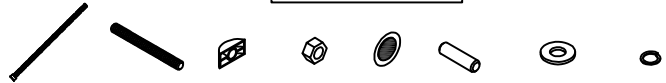
TOOL  
REQUIRED



M14

M8

HARDWARE



A x4  
M10\*680

B x5  
M8\*80

C x5  
30\*15\*14

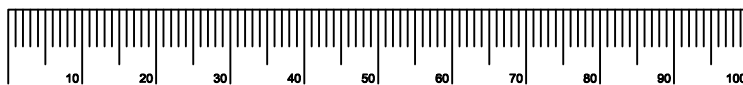
D x5  
M8

E x5  
Ø40

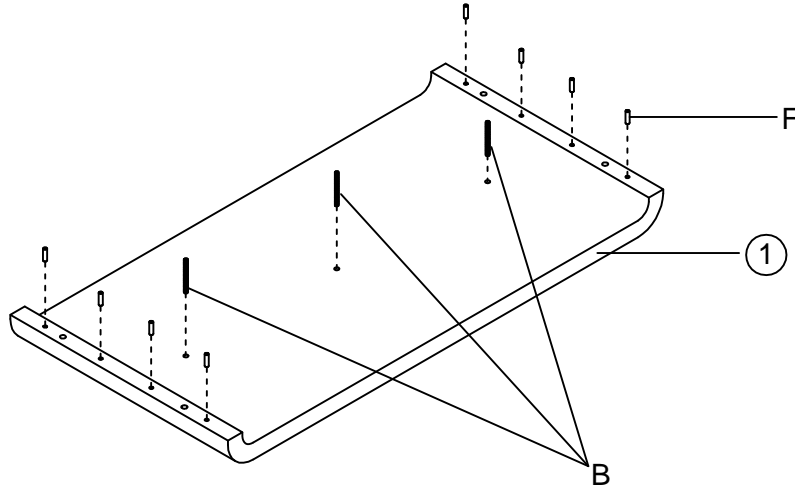
F x8  
Ø7.8\*40

G x4  
Ø10\*22\*2

H x4  
Ø10\*16\*3



1 ▷



TOOLS REQUIRED

HARDWARE

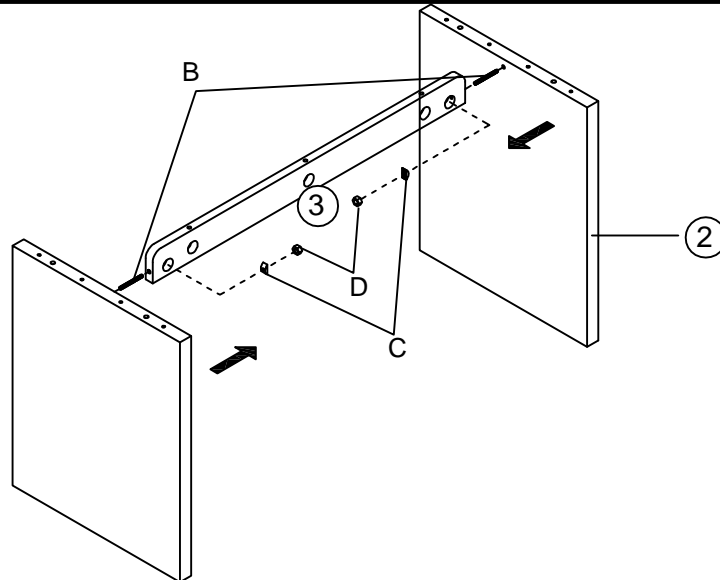


B x3  
M8\*80



F x8  
Ø7.8\*40

2 ▷



TOOLS REQUIRED

HARDWARE



M14



B x2  
M8\*80



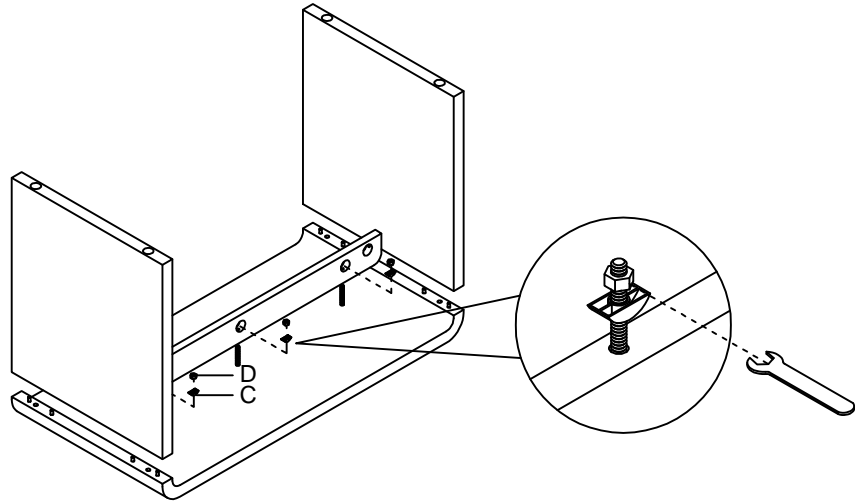
C x2  
30\*15\*14



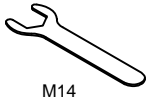
D x2  
M8

**Hudson compact desk**

3 ▷



TOOLS REQUIRED

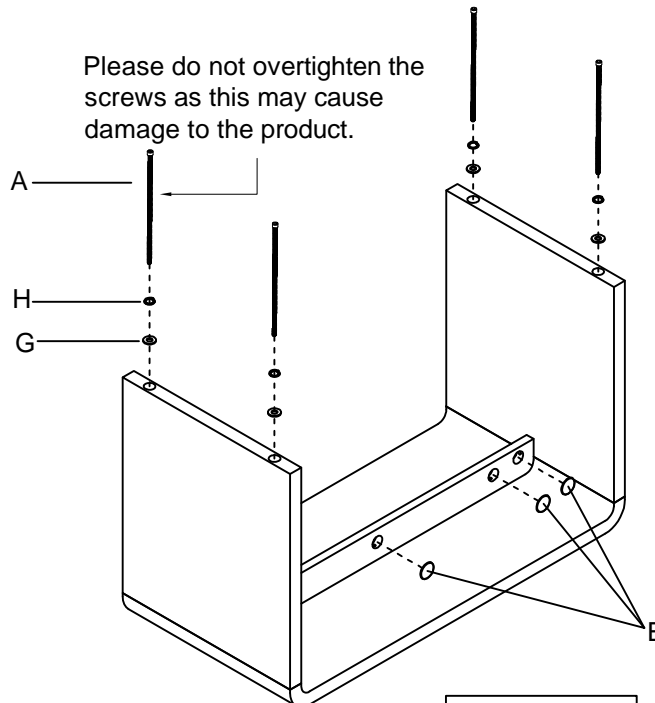


HARDWARE

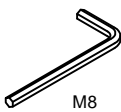


4 ▷

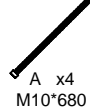
Please do not overtighten the screws as this may cause damage to the product.



TOOLS REQUIRED



HARDWARE



**dwell**  
live like this

AI-DT-7001S

## Hudson compact desk

5 ▷

