

- 146406 White
- 146408 Black
- 146410 Grey
- 146412 Stone
- 147867 Mustard



## Before you start

**IMPORTANT, RETAIN FOR FUTURE REFERENCE:  
READ CAREFULLY**

Conditions for use of this product: Domestic  
Please read Do's and Don'ts carefully before  
assembly start.

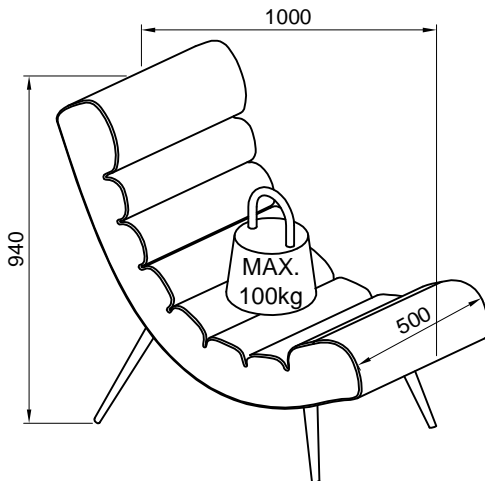


Product outlook



## Warning

Ensure that there are no cracks or damages  
to this product before assembly  
Check to ensure that all hardware and fittings  
are present. Refer to page 3.  
Keep small parts out of reach of children.



Dimensions 500 x 1000 x 940mm

Basic DIY skills required to assemble this  
product

Number of people required  
to assemble this product



Time taken to  
assemble this  
product



30 Minutes

Tools Required

refer to  
components list  
(page 3)

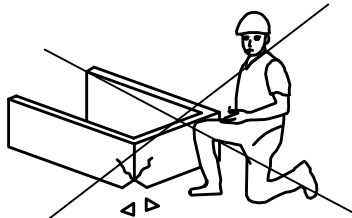


## Warning

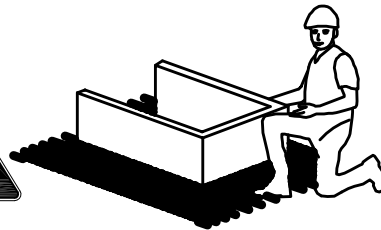
Please be careful to move the product  
components during assembly.

Fabric material are damaged easily. No sharp,  
hard tools placed on the product surface.

Max loading weight is 100kgs



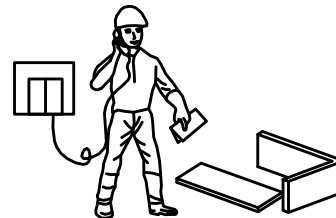
Damage easily



Protection under the components



Any problem



contact with us

**✓ Do's**

- Please read the assembly instructions carefully.
- We can not accept return on any part or fully assembled products.
- Ensure you have all of the correct tools needed for assembly.
- Clear a plenty of space and clean, dry are to work.
- Unwrap all packaging materials and place the components on top of the carton box or on a clean floor to prevent it from scratching.
- Check all parts are present and correct according to components list.
- Keep these instructions for future assembly.



**Caring for your product**

PLEASE REFURE TO ATTACHED CARE INSTRUCTION

**✗ Dont's Important**

- Do not use power tools to construct this product.
- Do not tighten screws until fully assembled.
- Do not over tighten screws or bolts.
- Do not use this product if parts are missing or damaged or worn.
- Never use a pressure hose or washer to clean the product.
- Never use scourers, abrasivew or chemical cleaners.

**Missing parts**

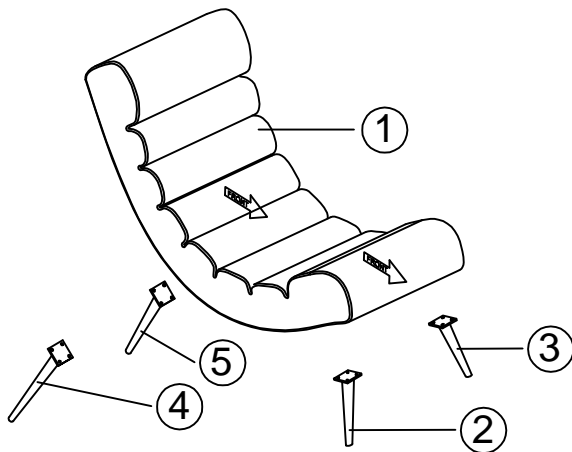
If you are missing any fixtures or fittings for your product please contact 08456 781 010 and we will be happy to send you a replacement part free of charge.

**You can write to us at**

Dwell UK  
Unit 2  
Brockley Way  
Ridgmont  
BEDFORD  
MK43 0ZY

# Ripple lounge chair

## COMPONENTS

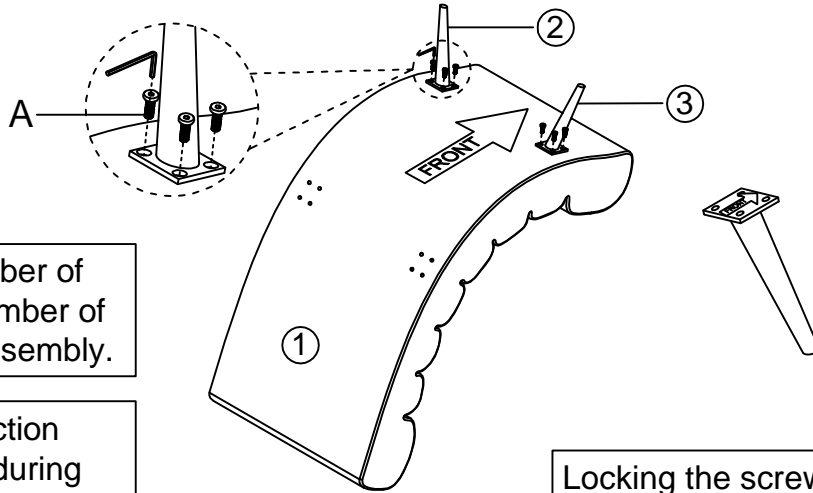


1		x1
2		x1
3		x1
4		x1
5		x1

TOOLS INCLUDED		HARDWARE	
TOOL REQUIRED	 M4	 A x16 pcs (M6*20)	



1 ▷



Please note the number of legs to match the number of screw hole during assembly.

Please note the direction labelled on the legs during assembly.

Locking the screws for 2 feet on front

TOOLS INCLUDED



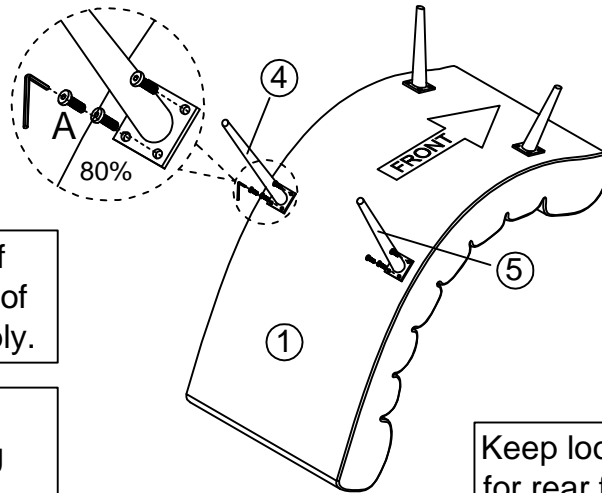
M4

HARDWARE



A x8 pcs  
(M6\*20)

2 ▷



Please note the number of legs to match the number of screw hole during assembly.

Please note the direction labelled on the legs during assembly.

Keep loose of the screws for rear feet

TOOLS INCLUDED



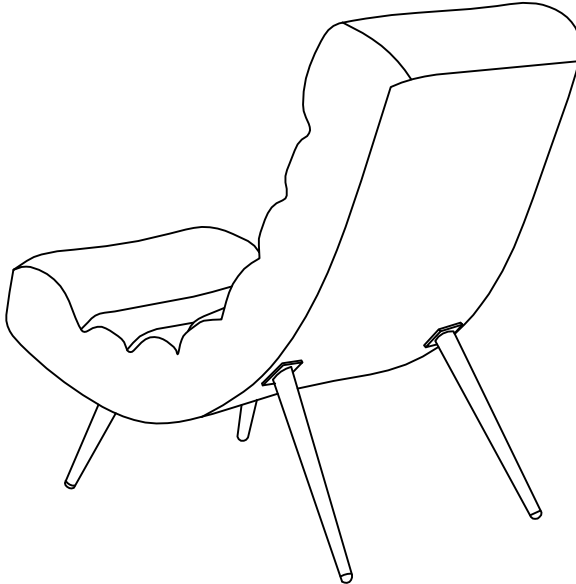
M4

HARDWARE



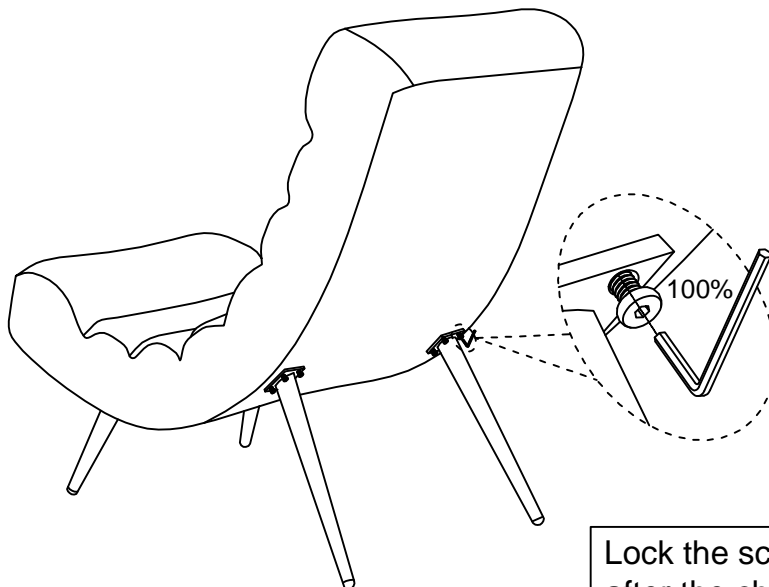
A x8 pcs  
(M6\*20)

3 ▷



Turn over the chairs, adjust the feet to ensure the chair be even, if the feet can not be even, please loose the screws of back feet then adjust

4 ▷



Lock the screws for back feet after the chair be even

TOOLS INCLUDED



M4