

## Jenkins height adjustable bar stool

147841 - White PU  
147843 - Black PU  
147845 - Grey PU  
147847 - Stone PU

### Before you start

**IMPORTANT, RETAIN FOR FUTURE REFERENCE:  
READ CAREFULLY**

Conditions for use of this product: Domestic  
Please read Do's and Dont's carefully before  
assembly start.

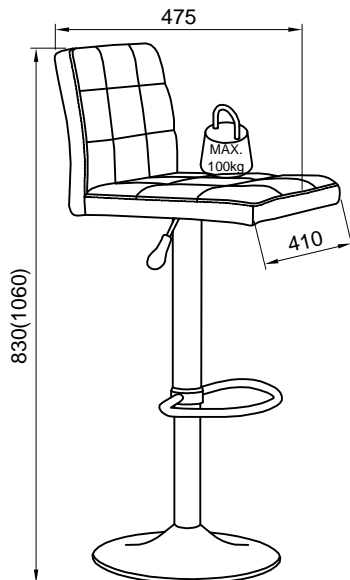


Product outlook



#### Warning

Ensure that that there are no cracks or damages  
to this product before assembly  
Check to ensure that all hardware and fittings  
are present. Refer to page 3.  
Keep small parts out of reach of children.



Dimensions 410 x 475 x 830-1060mm

Basic DIY skills required to assemble this  
product

Number of people required  
to assemble this product



Time taken to  
assemble this  
product



40 Minutes

Tools Required

refer to  
components list  
(page 3)



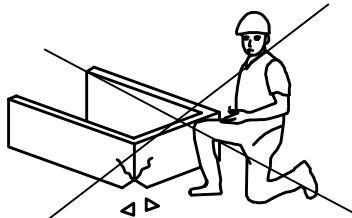
#### Warning

Please be careful to move the product  
components during assembly.

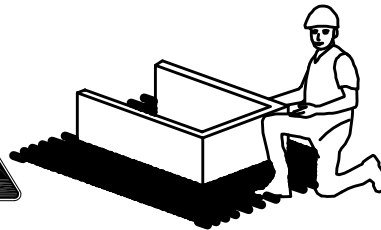
Fabric material are damaged easily. No sharp,  
hard tools placed on the product surface.

Max loading weight is 100kgs

## Jenkins height adjustable bar stool



Damage easily



Protection under the components



Any problem



contact with us

### ✓ Do's

- Please read the assembly instructions carefully.
- We can not accept return on any part or fully assembled products.
- Ensure you have all of the correct tools needed for assembly.
- Clear a plenty of space and clean, dry are to work.
- Unwrap all packaging materials and place the components on top of the carton box or on a clean floor to prevent it from scratching.
- Check all parts are present and correct according to components list.
- Keep these instructions for future assembly.



### Caring for your product

PLEASE REFURE TO ATTACHED CARE INSTRUCTION

### ✗ Dont's Important

- Do not use power tools to construct this product.
- Do not tighten screws until fully assembled.
- Do not over tighten screws or bolts.
- Do not use this product if parts are missing or damaged or worn.
- Never use scourers, abrasivew or chemical cleaners.

### Missing parts

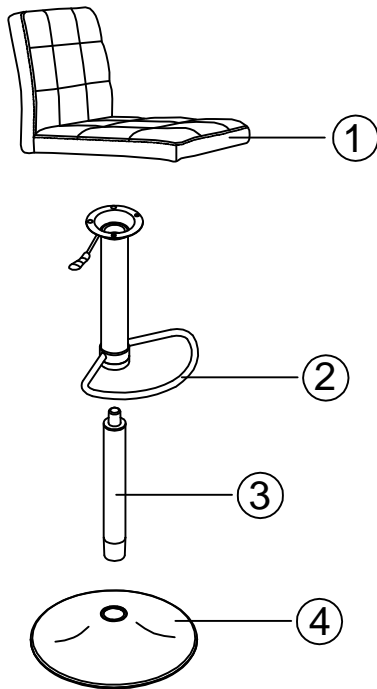
If you are missing any fixtures or fittings for your product please contact 08456 781 010 and we will be happy to send you a replacement part free of charge.


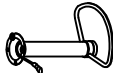
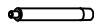

### You can write to us at



Dwell UK  
Unit 2  
Brockley Way  
Ridgmont  
BEDFORD  
MK43 0ZY

Jenkins height adjustable bar stool

COMPONENTS



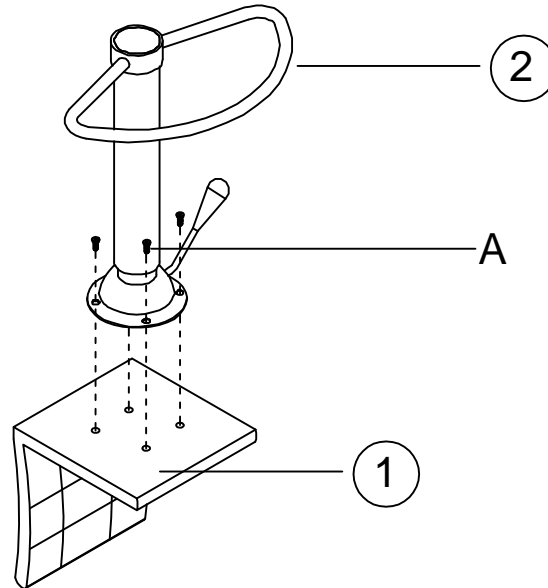
|   |   |    |
|---|---|----|
| 1 |    | x1 |
| 2 |    | x1 |
| 3 |    | x1 |
| 4 |  | x1 |

| TOOLS INCLUDED |   | HARDWARE   |               |
|----------------|---|--|---------------|
| TOOL REQUIRED  | <br>M4 |  | A x4<br>M6*15 |



# Jenkins height adjustable bar stool

1 ▷



TOOLS INCLUDED



M4

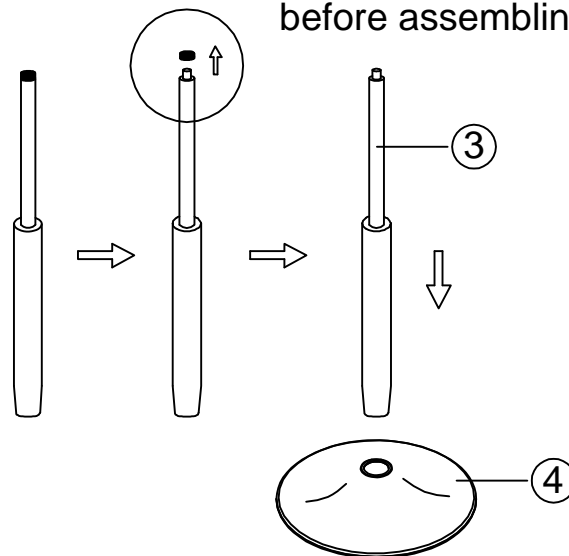
HARDWARE



A x4  
M6\*15

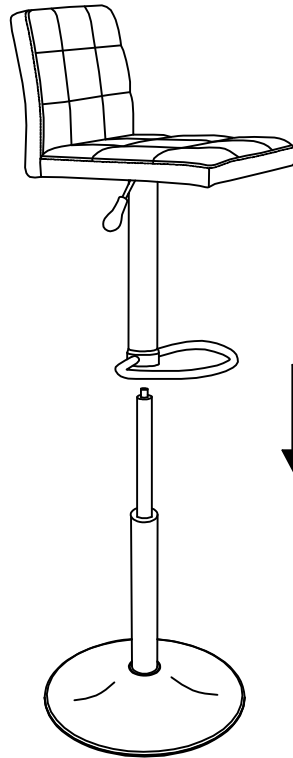
2 ▷

Remove the cap  
before assembling!



# Jenkins height adjustable bar stool

3 ▷



4 ▷

