

- 146406 White
- 146408 Black
- 146410 Grey
- 146412 Stone



Before you start

**IMPORTANT, RETAIN FOR FUTURE REFERENCE:
READ CAREFULLY**

Conditions for use of this product: Domestic
Please read Do's and Don'ts carefully before
assembly start.

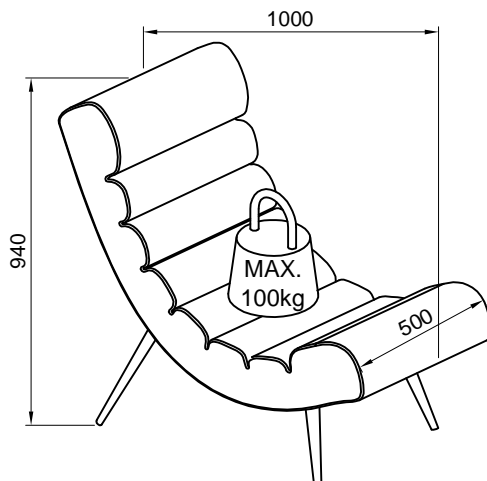


Product outlook



Warning

Ensure that there are no cracks or damages
to this product before assembly
Check to ensure that all hardware and fittings
are present. Refer to page 3.
Keep small parts out of reach of children.



Dimensions 500 x 1000 x 940mm

Basic DIY skills required to assemble this
product

Number of people required
to assemble this product



Time taken to
assemble this
product



30 Minutes

Tools Required

refer to
components list
(page 3)

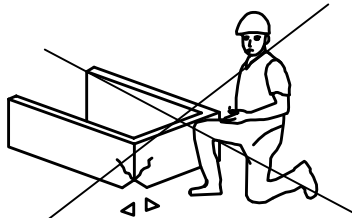


Warning

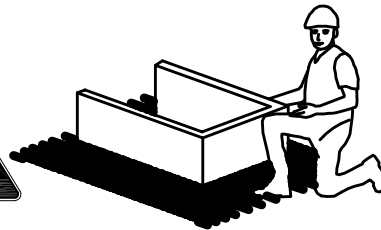
Please be careful to move the product
components during assembly.

Fabric material are damaged easily. No sharp,
hard tools placed on the product surface.

Max loading weight is 100kgs



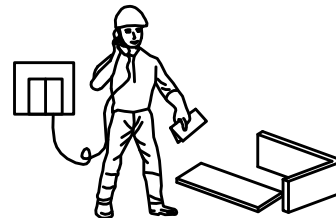
Damage easily



Protection under the components



Any problem



contact with us

✓ Do's

- Please read the assembly instructions carefully.
- We can not accept return on any part or fully assembled products.
- Ensure you have all of the correct tools needed for assembly.
- Clear a plenty of space and clean, dry are to work.
- Unwrap all packaging materials and place the components on top of the carton box or on a clean floor to prevent it from scratching.
- Check all parts are present and correct according to components list.
- Keep these instructions for future assembly.



Caring for your product

PLEASE REFERE TO ATTACHED CARE INSTRUCTION

✗ Dont's Important

- Do not use power tools to construct this product.
- Do not tighten screws until fully assembled.
- Do not over tighten screws or bolts.
- Do not use this product if parts are missing or damaged or worn.
- Never use a pressure hose or washer to clean the product.
- Never use scourers, abrasivew or chemical cleaners.

Missing parts

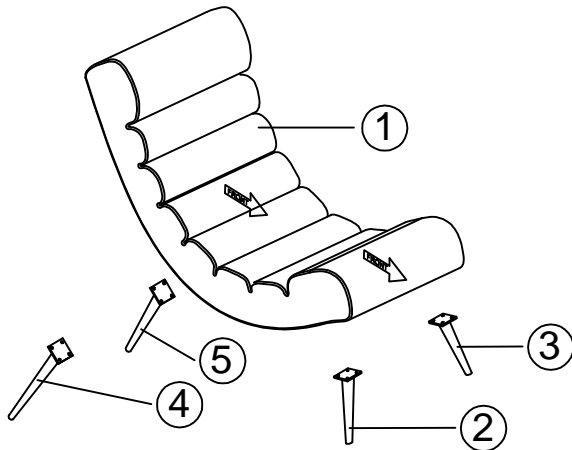
If you are missing any fixtures or fittings for your product please contact 08456 781 010 and we will be happy to send you a replacement part free of charge.

You can write to us at

Dwell UK
Unit 2
Brockley Way
Ridgmont
BEDFORD
MK43 0ZY

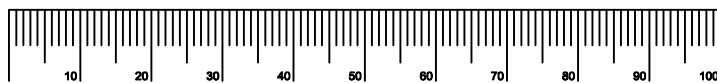
Ripple lounge chair

COMPONENTS

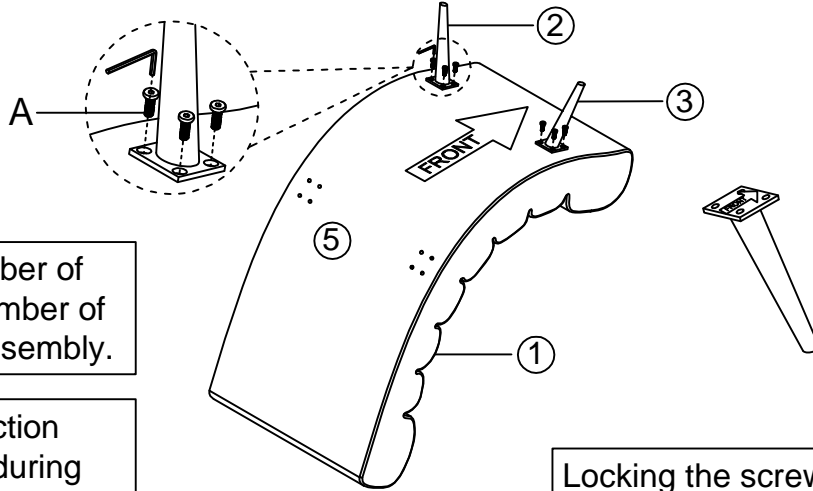


1		x1
2		x1
3		x1
4		x1
5		x1

TOOLS INCLUDED		HARDWARE	
TOOL REQUIRED	 M4		A x16 pcs (M6*20)



1 ▷



Please note the number of legs to match the number of screw hole during assembly.

Please note the direction labelled on the legs during assembly.

Locking the screws for 2 feet on front

TOOLS INCLUDED



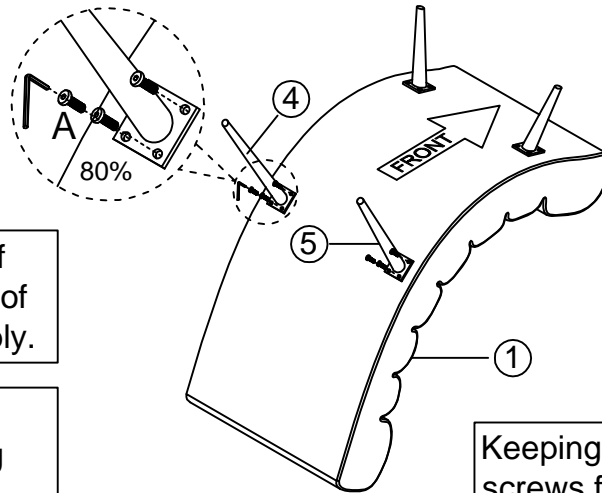
M4

HARDWARE



A x8 pcs
(M6*20)

2 ▷



Please note the number of legs to match the number of screw hole during assembly.

Please note the direction labelled on the legs during assembly.

Keeping loose of the screws for 2 feet on back

TOOLS INCLUDED



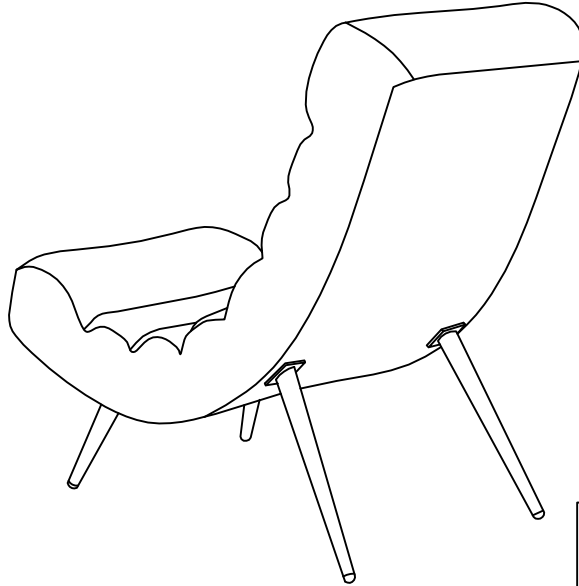
M4

HARDWARE



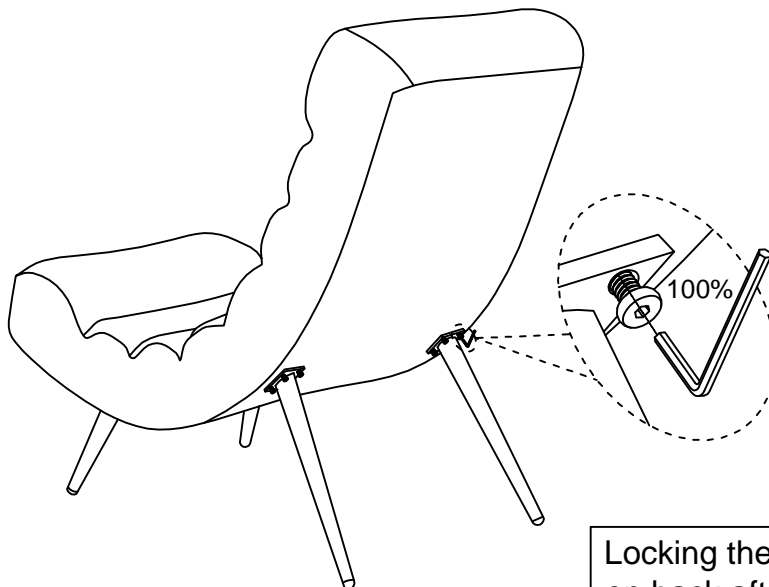
A x8 pcs
(M6*20)

3 ▷



Adjusting the 2 feet on back to ensure the chair be even

4 ▷



Locking the screws for 2 feet on back after the chair be even

TOOLS INCLUDED



M4