

Palermo marble effect ceramic bar table

145502 Ceramic



Before you start

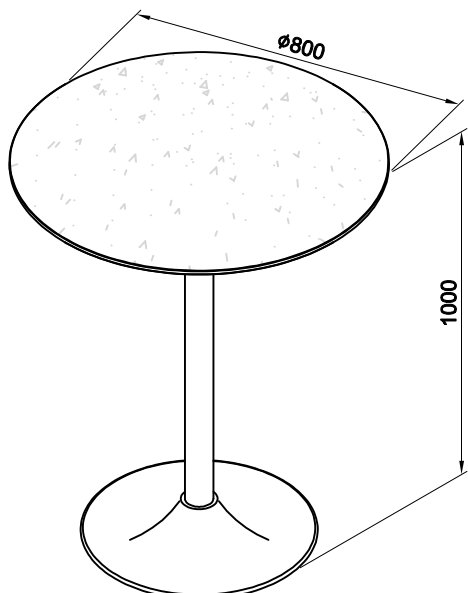
**IMPORTANT, RETAIN FOR FUTURE REFERENCE:
READ CAREFULLY**

Conditions for use of this product: Domestic
Please read Do's and Don'ts carefully before
assembly start.

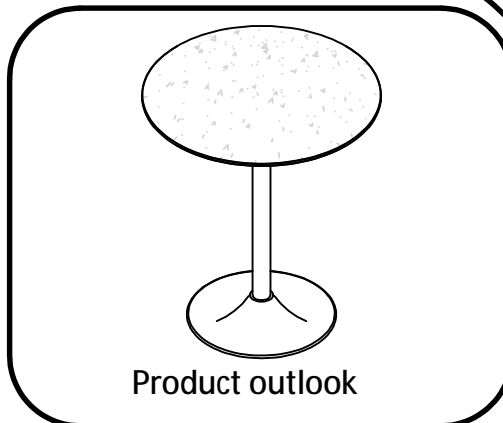


Warning

Ensure that there are no cracks or damages to this
product before assembly
Check to ensure that all hardware and fittings are
present. Refer to page 3.
Keep small parts out of reach of children.



Dimensions $\phi 800 \times 1000$ mm



Product outlook

Basic DIY skills required to assemble this
product

Number of people required
to assemble this product



Time taken to
assemble this
product



30 Minutes

Tools Required

refer to
components list
(page 3)



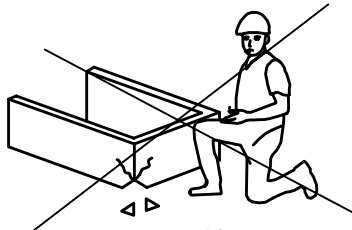
Warning

Prohibit child climbing
Please be careful to move the product
components during assembly.

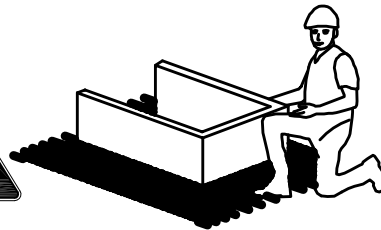
Ceramic material is fragile easily.
No sharp, hard tools placed on the
product surface.

Max loading weight is 40kgs

Palermo marble effect ceramic bar table



Damage easily



Protection under the components



Any problem



contact with us

✓ Do's

- Please read the assembly instructions carefully.
- We can not accept return on any part or fully assembled products.
- Ensure you have all of the correct tools needed for assembly.
- Clear a plenty of space and clean, dry area to work.
- Unwrap all packaging materials and place the components on top of the carton box or on a clean floor to prevent it from scratching.
- Check all parts are present and correct according to components list.
- Keep these instructions for future assembly.



Caring for your product

PLEASE REFER TO ATTACHED CARE INSTRUCTION

✗ Don't's Important

- Do not use power tools to construct this product.
- Do not tighten screws until fully assembled.
- Do not over tighten screws or bolts.
- Do not use this product if parts are missing or damaged or worn.
- Never use a pressure hose or washer to clean the product.
- Never use scourers, abrasives or chemical cleaners.

Missing parts

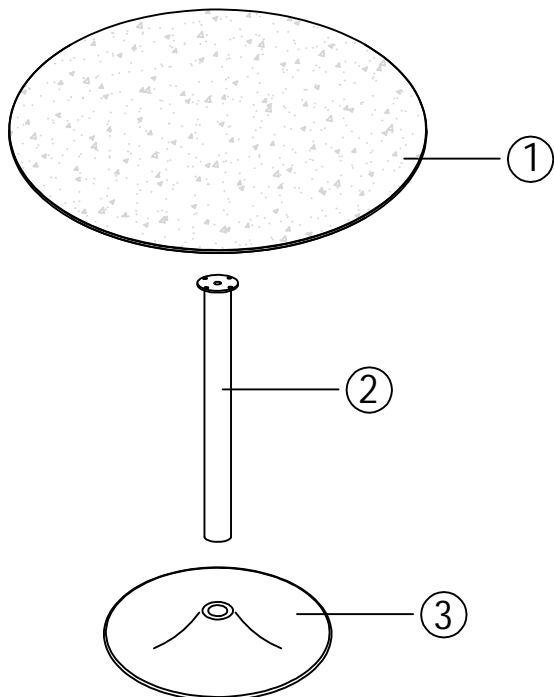
If you are missing any fixtures or fittings for your product please contact 08456 781 010 and we will be happy to send you a replacement part free of charge.

You can write to us at

Dwell UK
Unit 2
Brockley Way
Ridgmont
BEDFORD
MK43 0ZY

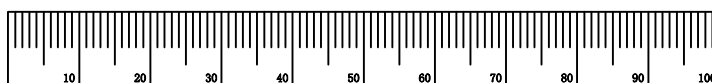
Palermo marble effect ceramic bar table

COMPONENTS



1		x1
2		x1
3		x1

TOOLS NOT INCLUDED		TOOLS INCLUDED			HARDWARE			
TOOL REQUIRED								
		M17	M17	M4	A x1 pc (M10*983)	B x4 pcs (M6*12)	C x2 pcs (Ø10*16*3)	D x1 pc (M10)
					E x1 pc (M10)	F x1 pc (M10)		

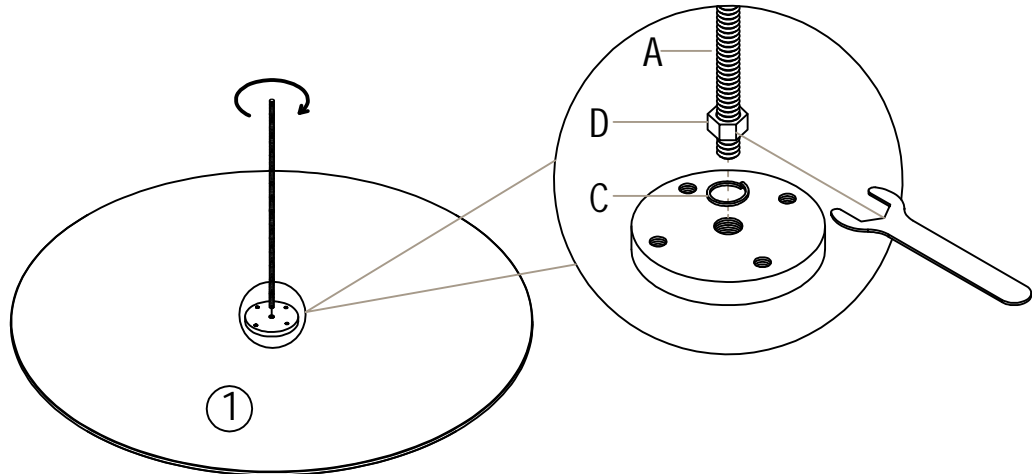


dwell
live like this

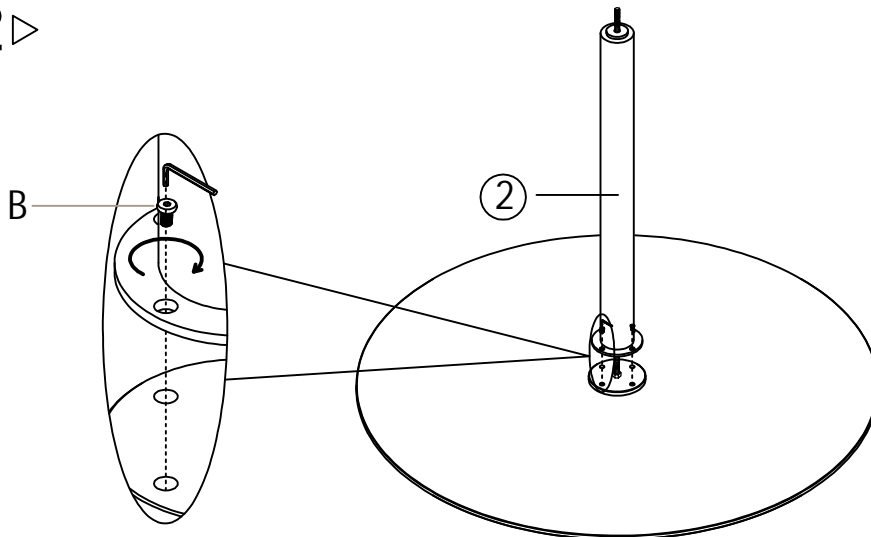
AI-BT-M062M bar table

Palermo marble effect ceramic bar table

1 ▷



2 ▷

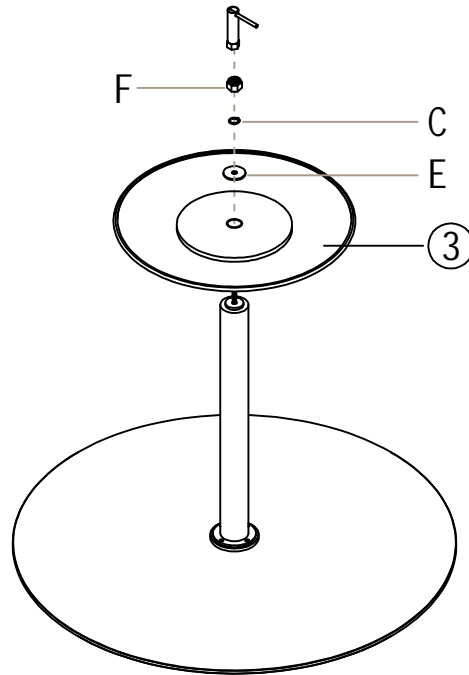


dwell
live like this

AI-BT-M062M bar table

Palermo marble effect ceramic bar table

4 ▷



5 ▷

