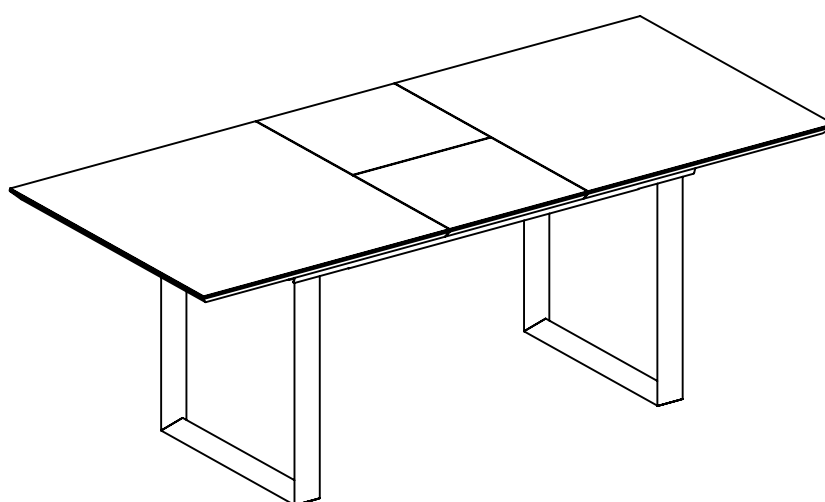


dwell

Ceramic extension table

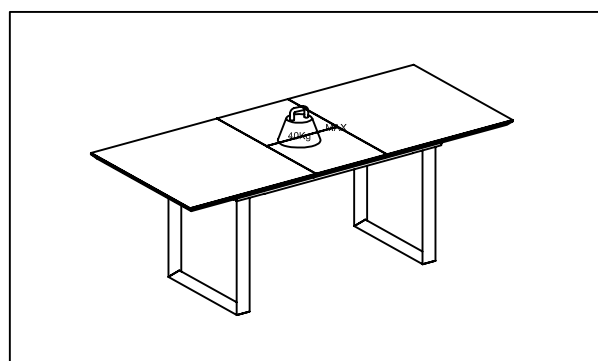
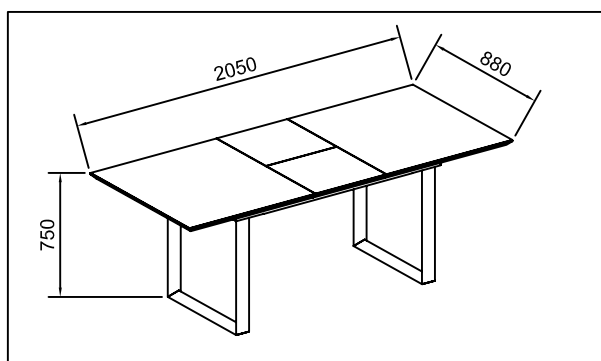
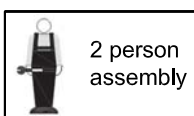
145026-Marble effect white ceramic

145024-Marble effect grey ceramic

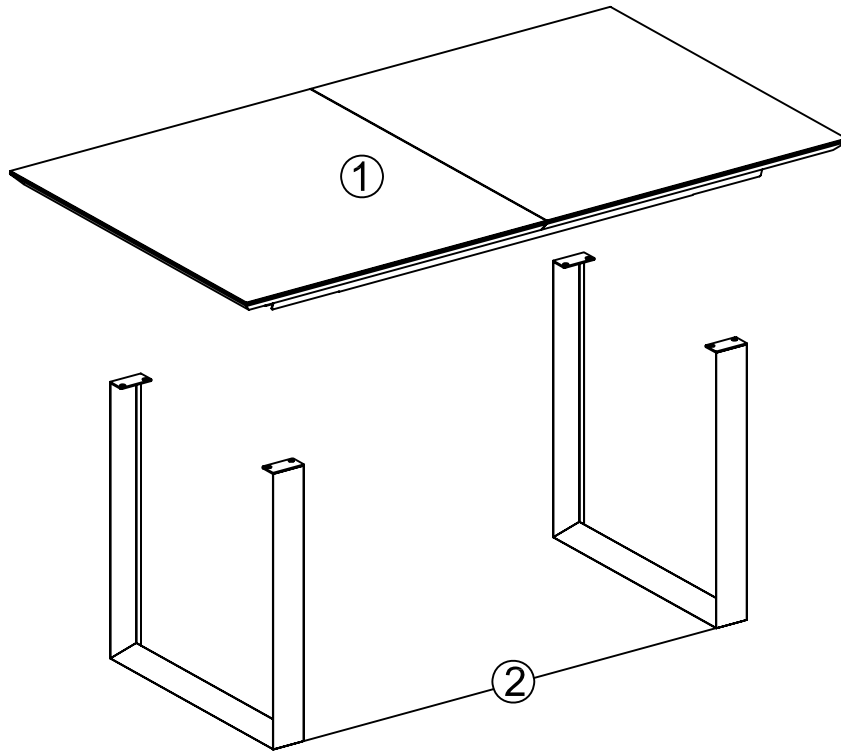


PLEASE READ

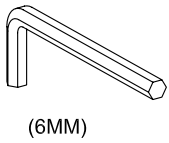
- Please read the assembly instructions carefully.
- We can not accept return on any part or fully assembled products.
- Identify each part of the furniture before assembly using the instructions.
- Check all pieces are present and correct.
- Ensure you have all of the correct tools needed for assembly.
- Clear a suitable place to work.
- Never force the fittings together.
- Do not fully tighten any screws until all pieces of the main structure are in place.
- Keep these instructions for future assembly.



COMPONENTS



TOOLS INCLUDED



(6MM)

HARDWARE

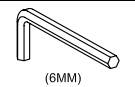
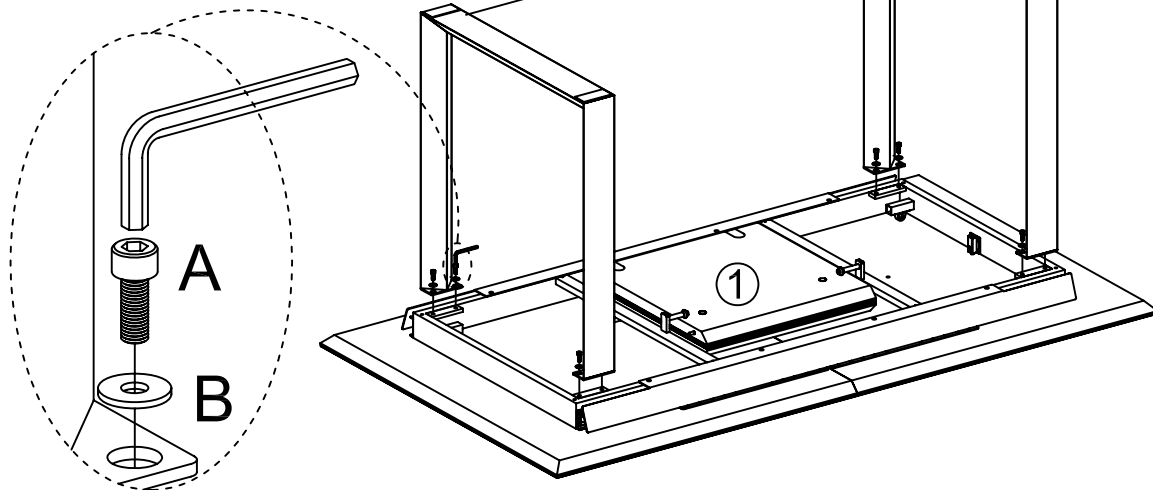


Ax8 pcs
(M8*16)



Bx8 pcs
($\phi 17^* \phi 8^* 1.5$)

1 ▷



(6MM)

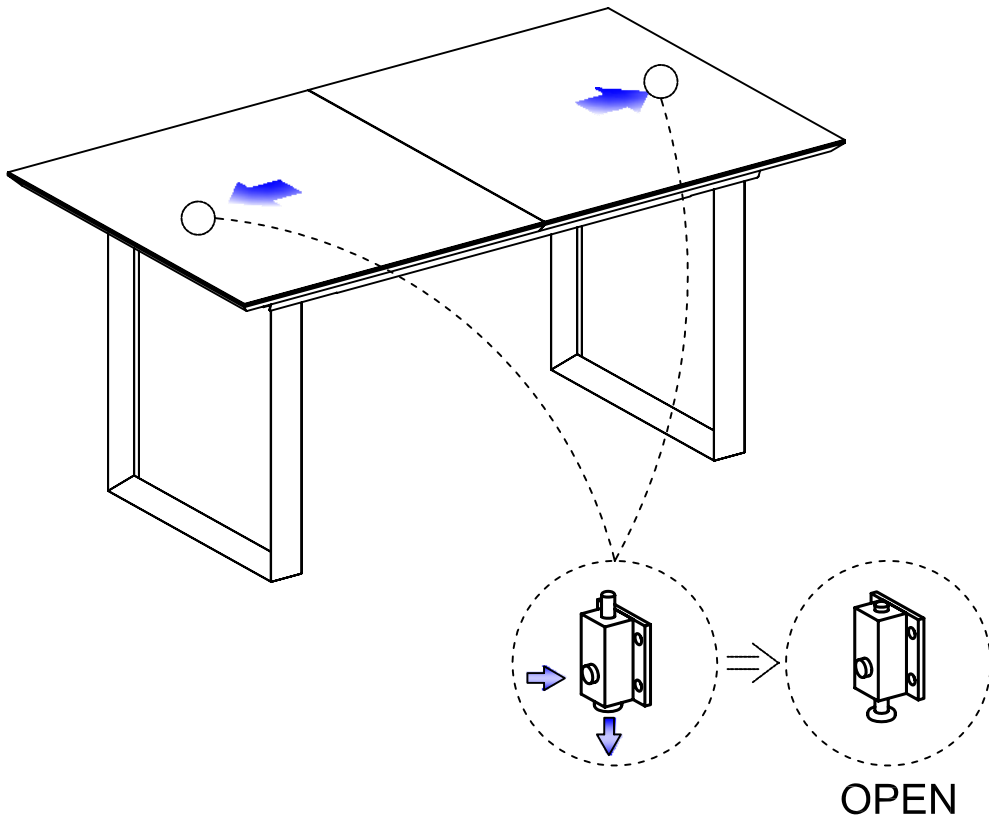


Ax8 pcs
(M8*20)

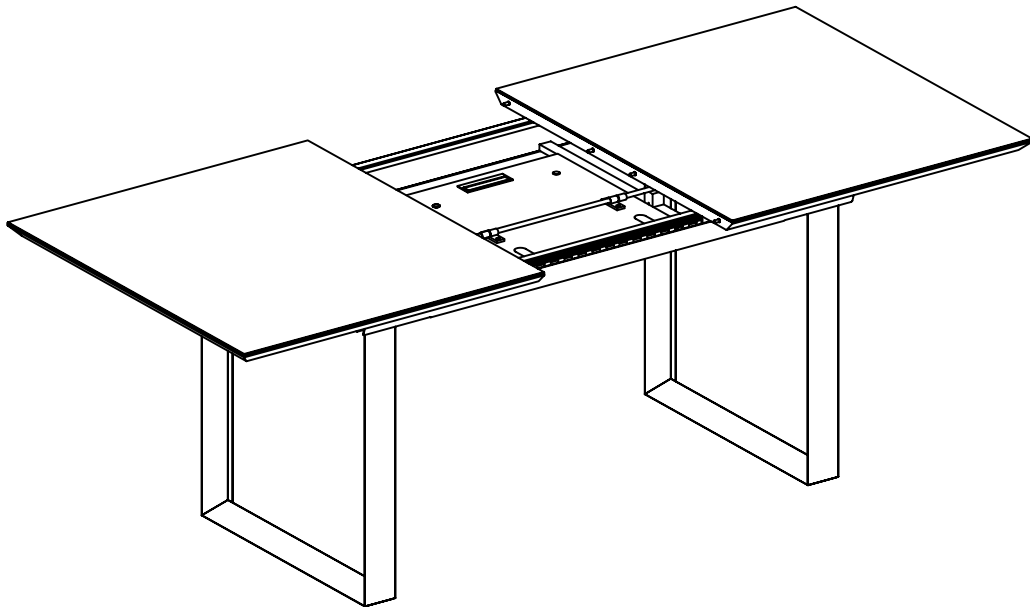


Bx8 pcs
($\phi 17^* \phi 8^* 1.5$)

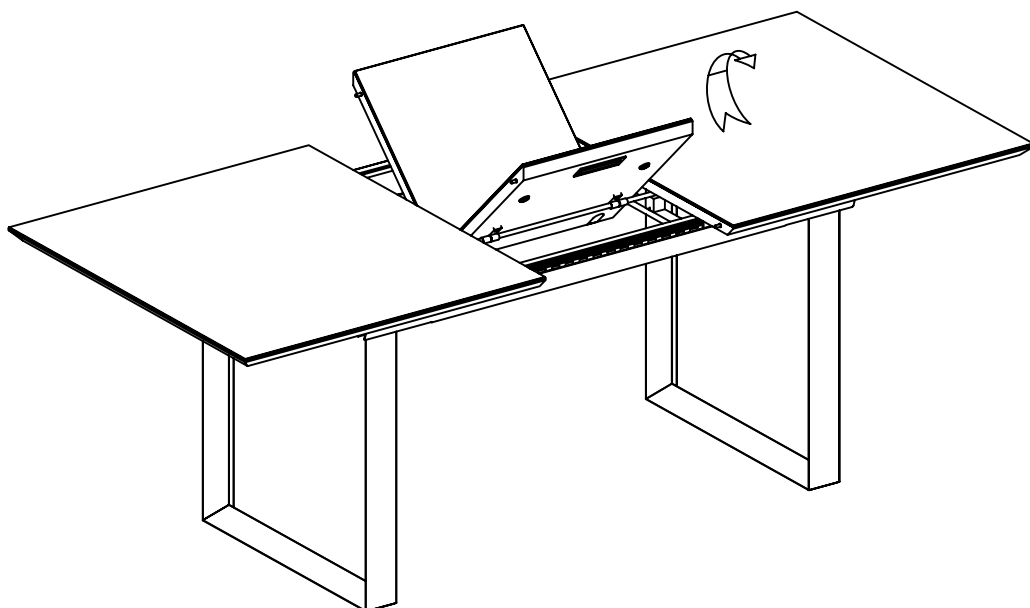
2 ▷



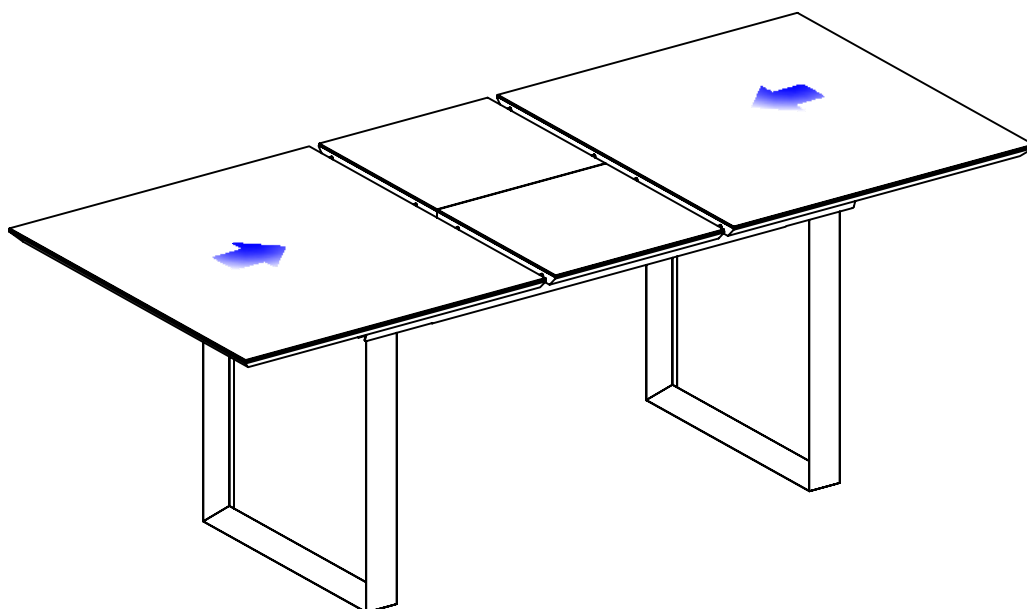
3 ▷



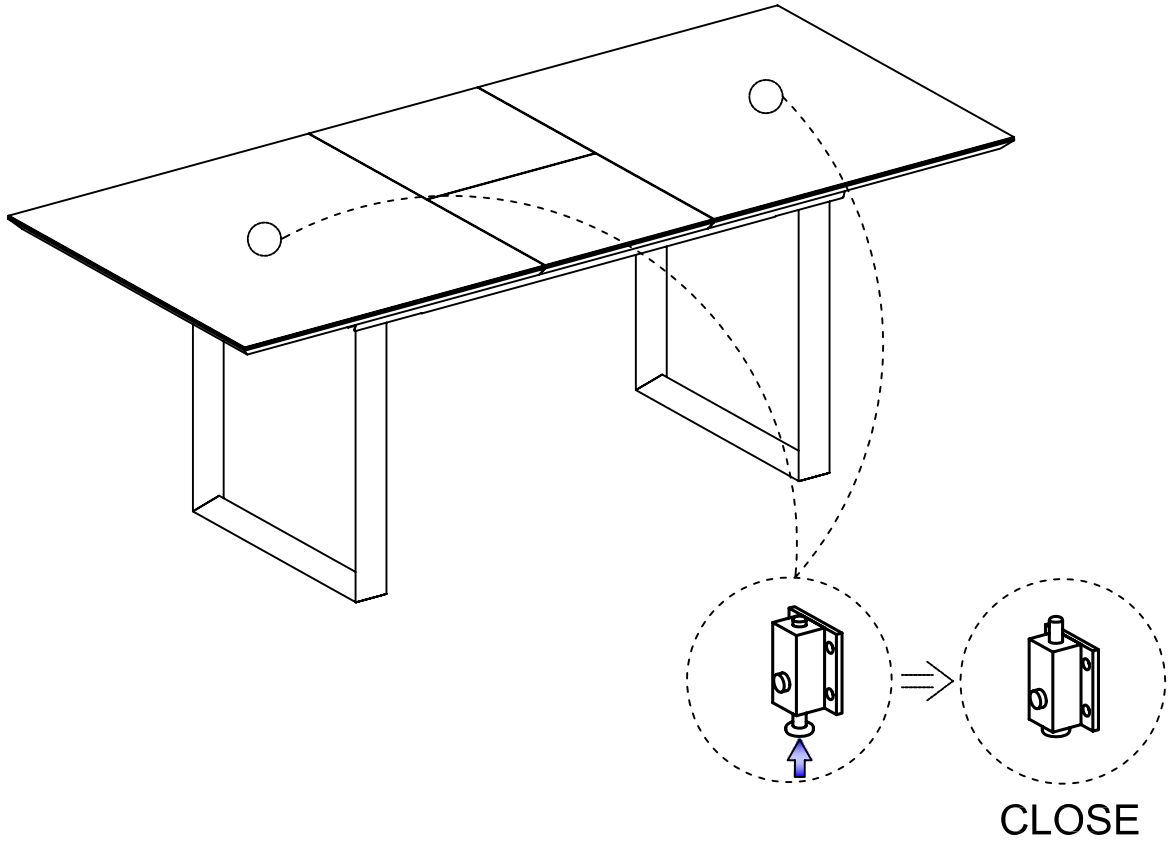
4 ▶



5 ▶



6 ▶



7 ▶

