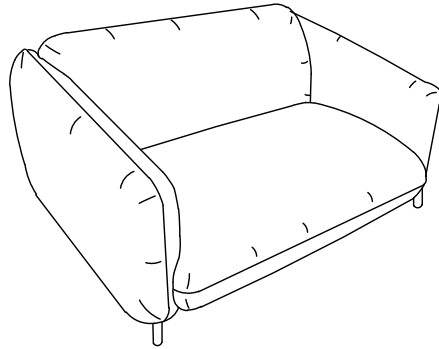


dwell

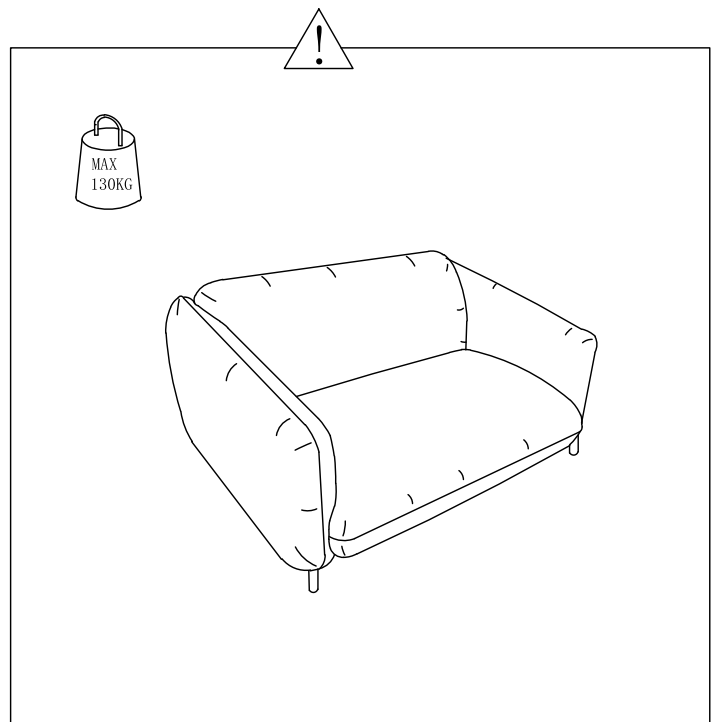
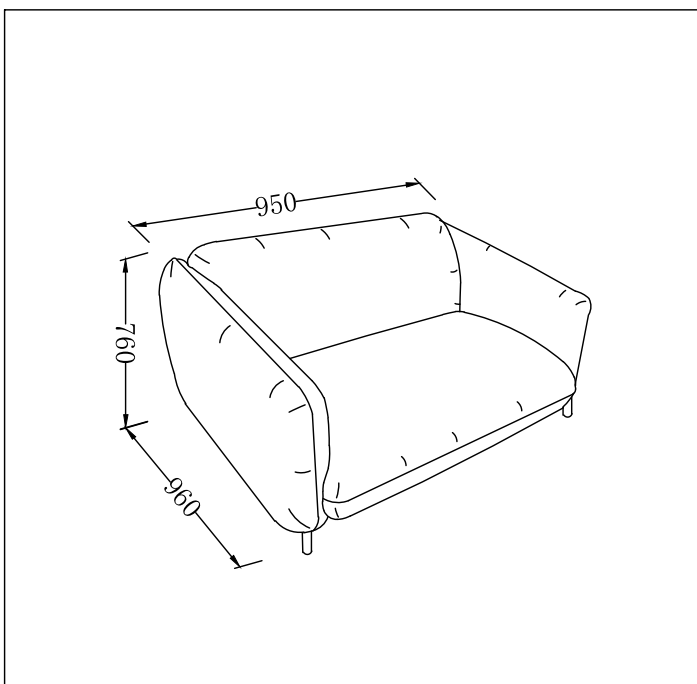
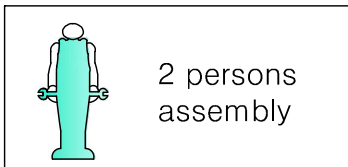
AI-SN-S986F
Valletta armchair

143898-dark grey



PLEASE READ

- Please read the assembly instructions carefully.
- We cannot accept return on any part or fully assembled products.
- Identify each part of the furniture before assembly using the instructions.
- Check all pieces are present and correct.
- Ensure you have all of the correct tools needed for assembly.
- Clear a suitable place to work.
- Never force the fittings together.
- Do not fully tighten any screws until all pieces of the main structure are in place.
- Keep these instructions for future assembly.



TOOLS NEEDED



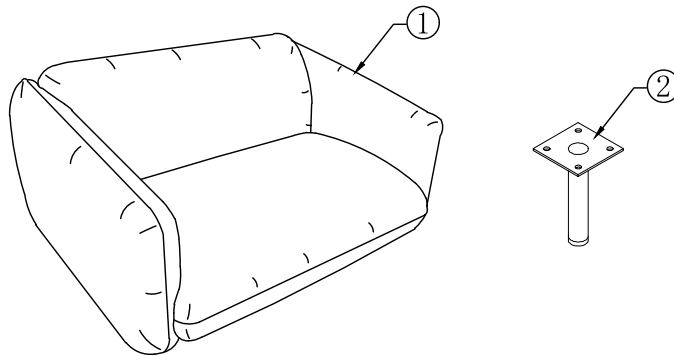
M6
158*35

HARDWARE

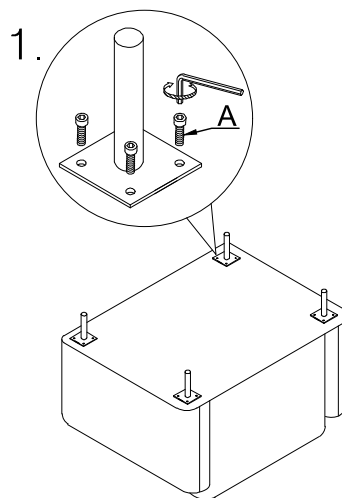


A ×16
M6×30

COMPONENTS



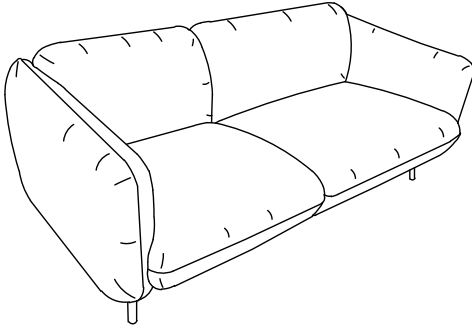
Assembly Instructions



dwell

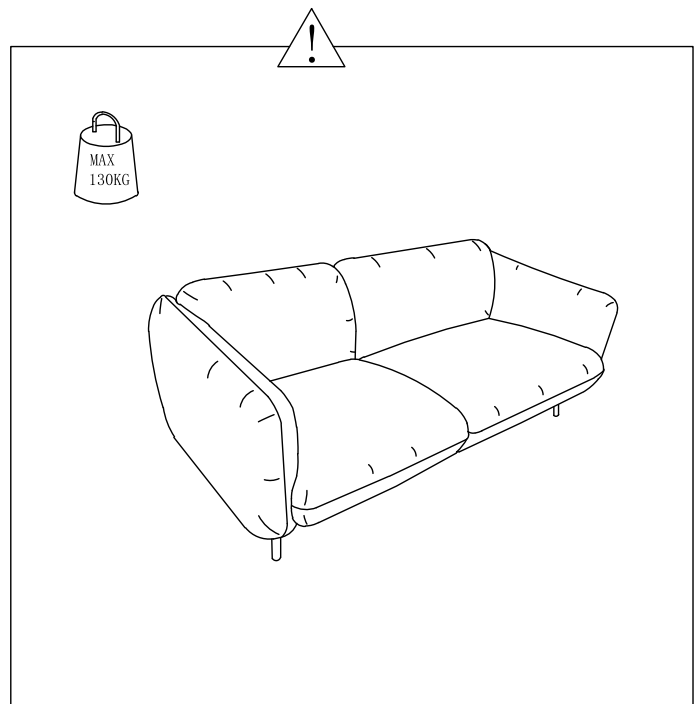
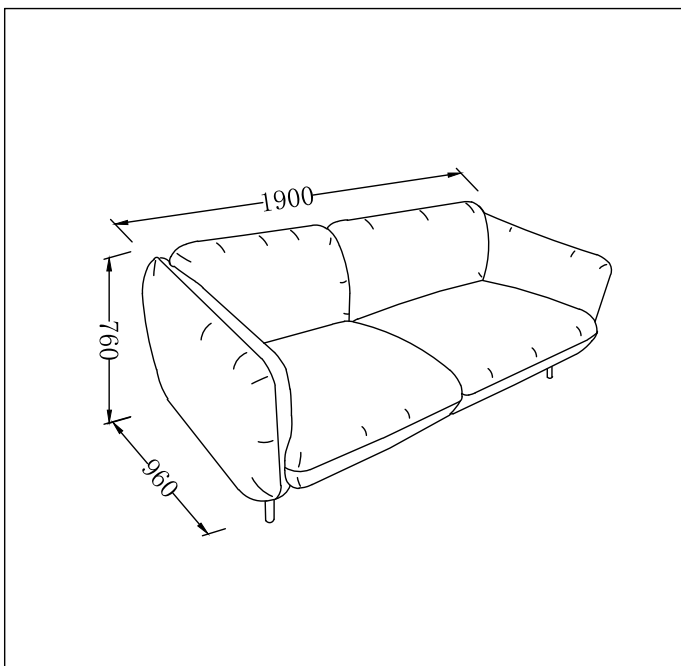
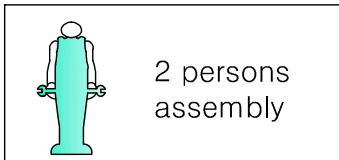
AI-SN-S986F
Valletta 2 seater sofa

143896-Dark Grey



PLEASE READ

- Please read the assembly instructions carefully.
- We cannot accept return on any part or fully assembled products.
- Identify each part of the furniture before assembly using the instructions.
- Check all pieces are present and correct.
- Ensure you have all of the correct tools needed for assembly.
- Clear a suitable place to work.
- Never force the fittings together.
- Do not fully tighten any screws until all pieces of the main structure are in place.
- Keep these instructions for future assembly.



TOOLS NEEDED



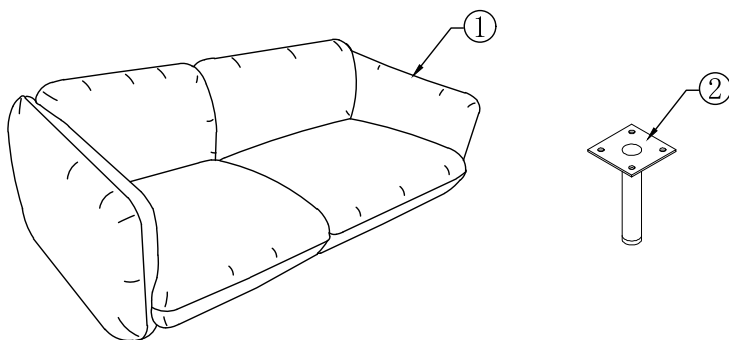
M6
158*35

HARDWARE

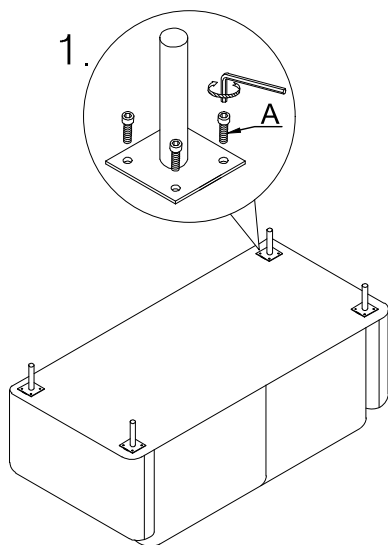


A x16
M6*30

COMPONENTS



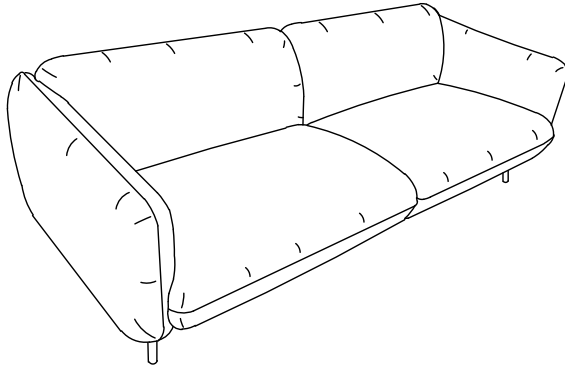
Assembly Instructions



dwell

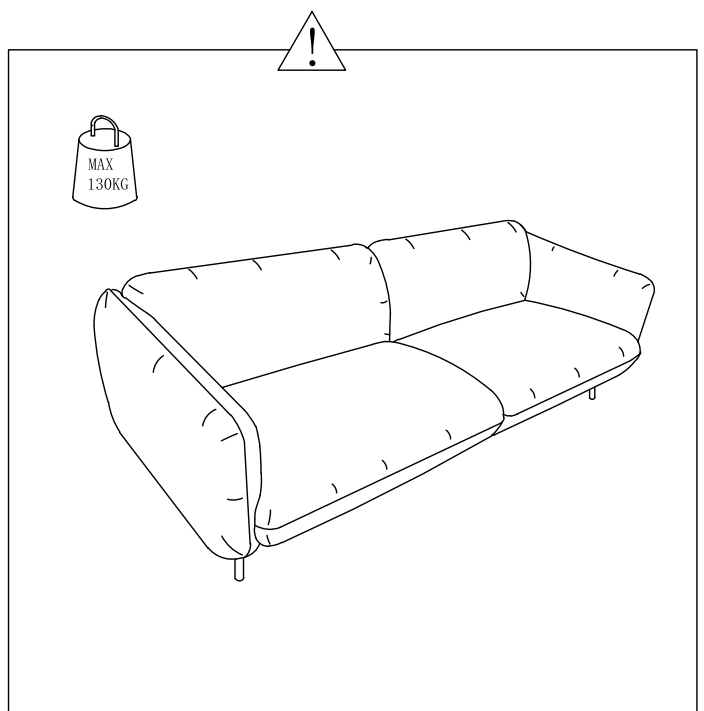
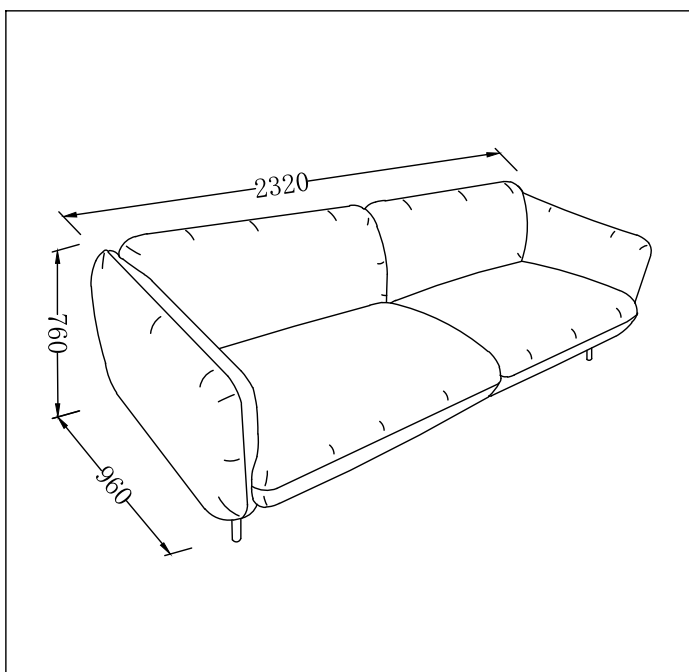
AI-SN-S986F
Valletta 3 seater sofa

143894-dark grey



PLEASE READ

- Please read the assembly instructions carefully.
- We cannot accept return on any part or fully assembled products.
- Identify each part of the furniture before assembly using the instructions.
- Check all pieces are present and correct.
- Ensure you have all of the correct tools needed for assembly.
- Clear a suitable place to work.
- Never force the fittings together.
- Do not fully tighten any screws until all pieces of the main structure are in place.
- Keep these instructions for future assembly.



TOOLS NEEDED



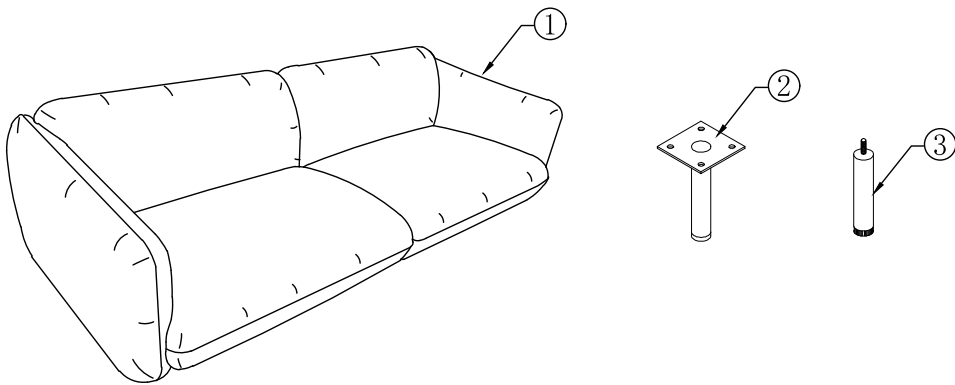
M6
158*35

HARDWARE



A ×16
M6×30

COMPONENTS



Assembly Instructions

