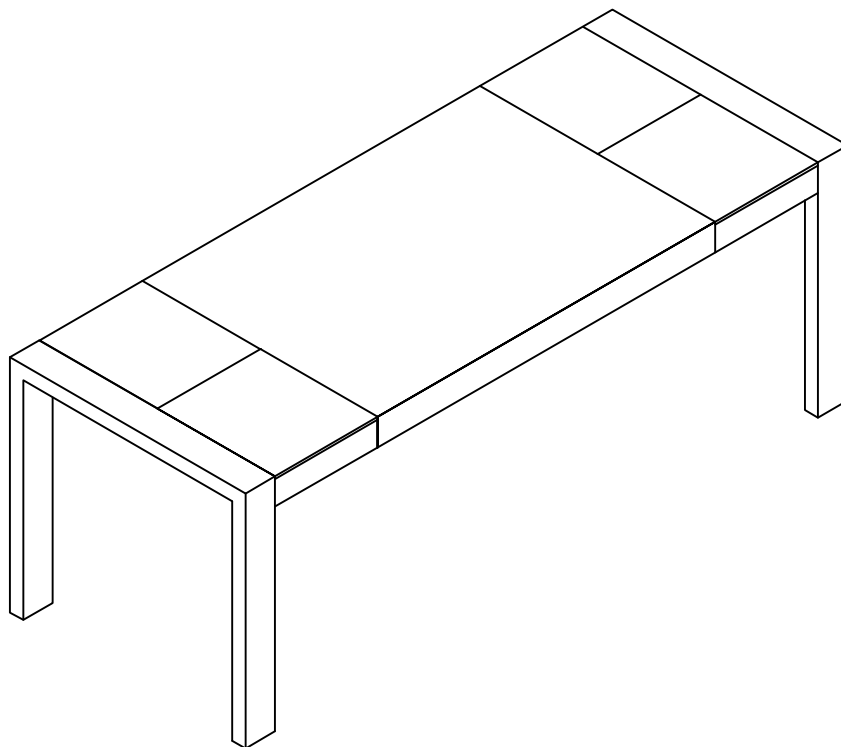


# dwell

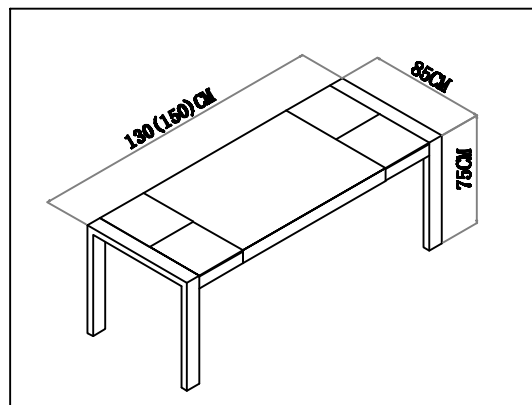
## DINING TABLE

Code	Description
102311	Double extending dining table darkwood
102312	Double extending dining table walnut

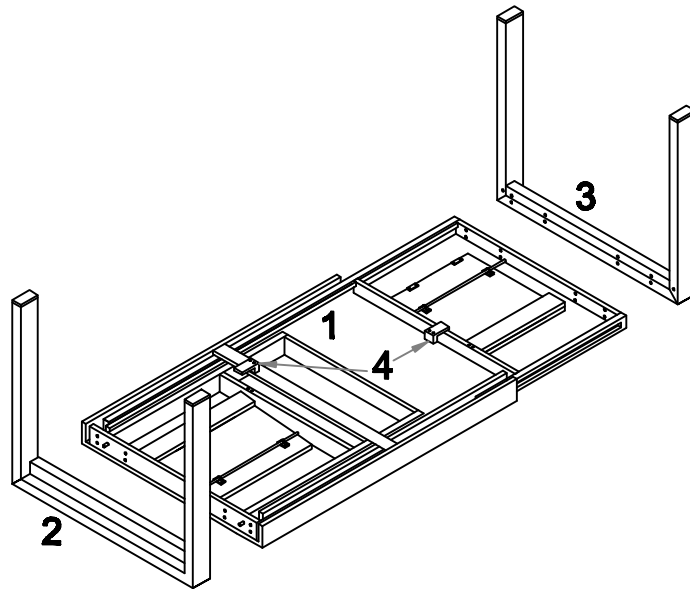


### PLEASE READ

- Please read the assembly instruction carefully.
- We can't accept return on any parts or assembled products.
- Clear a suitable place to work.
- Check all components and fittings in the carton are present and correct.
- Identify each part of the furniture before assembly as per the instruction.
- Never force the fittings together.
- Don't fully tighten any screws until all pieces of the main structure are in place.
- Keep the assembly instruction for future use.



# COMPONENTS



## TOOLS INCLUDED



1X4MM



1X5MM

## HARDWARE



AX16  
( $\varnothing 5/16'' \times 1-3/4''$ )



BX16  
( $\varnothing 5/16'' \times 5/8''$ )



CX4  
( $\varnothing 1/4'' \times 2-1/2''$ )

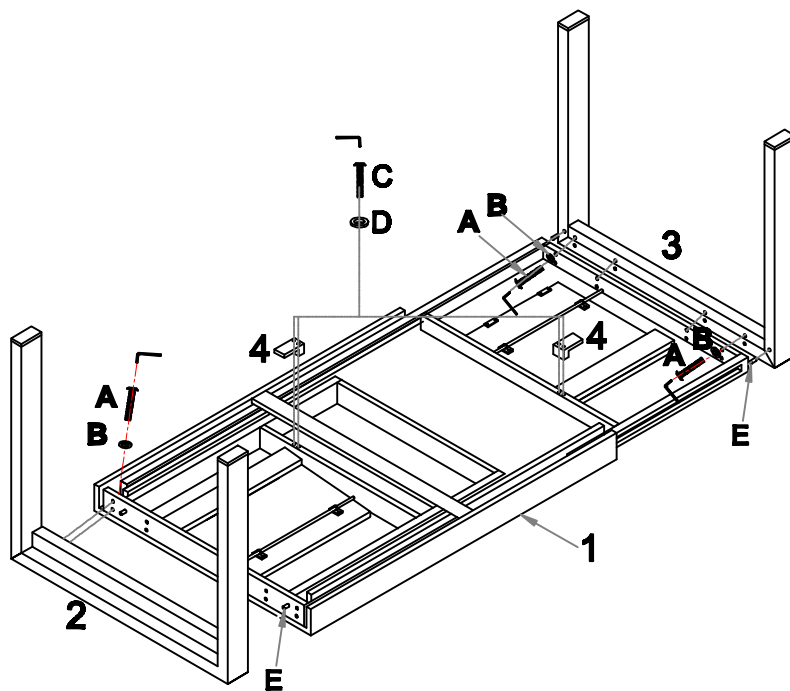


DX4  
( $\varnothing 1/4'' \times 1/2''$ )

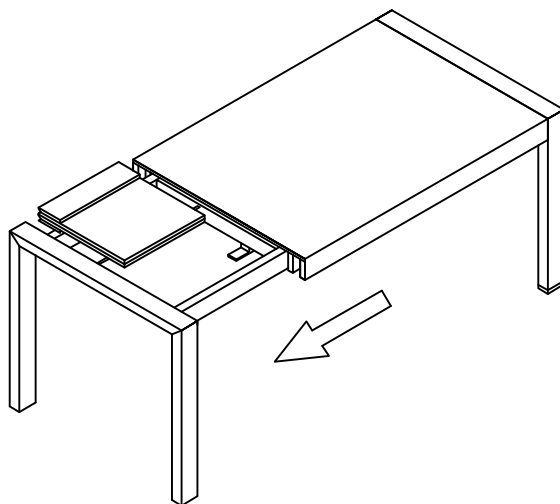


EX4  
( $\varnothing 8 \times 30$ )

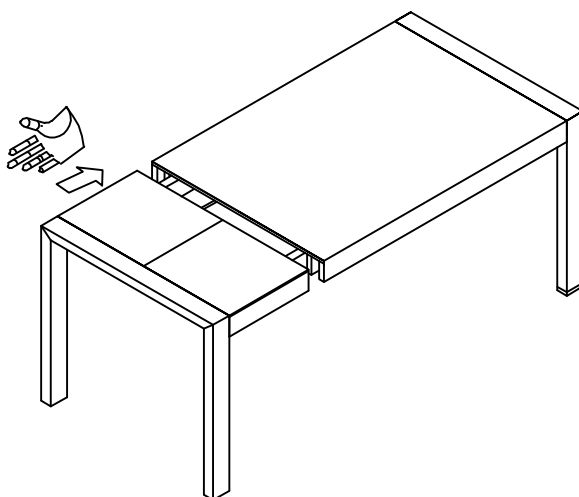
1



2



3



4

