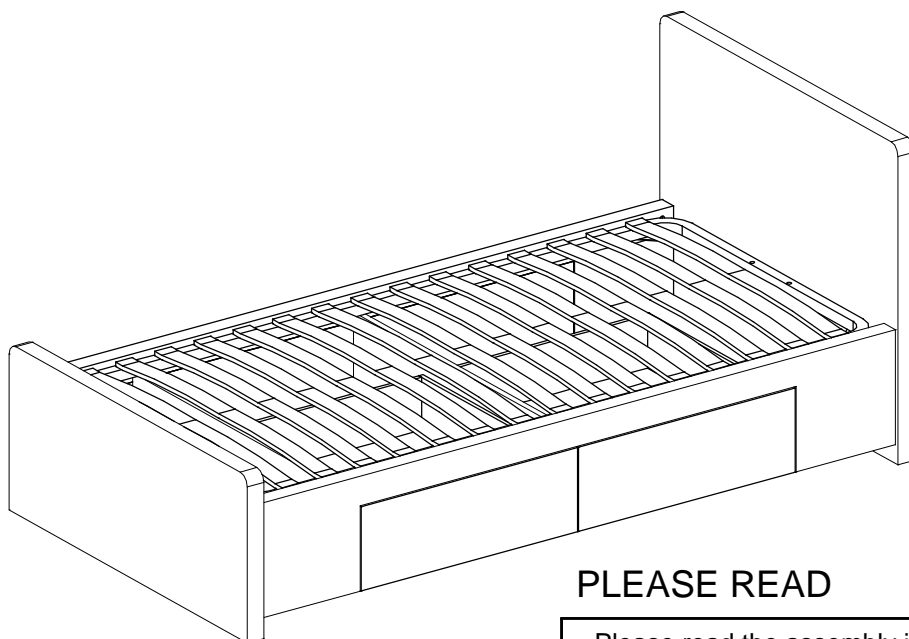


dwell

Monza Single bed

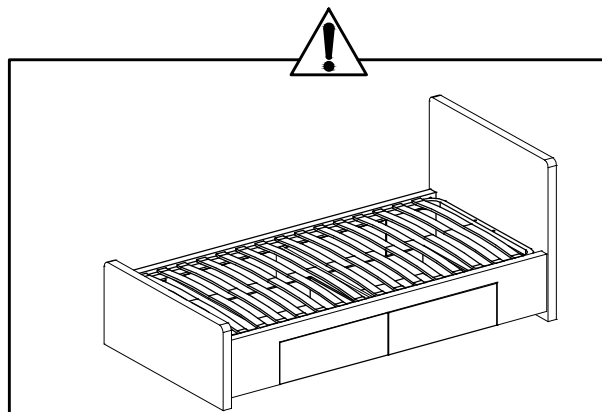
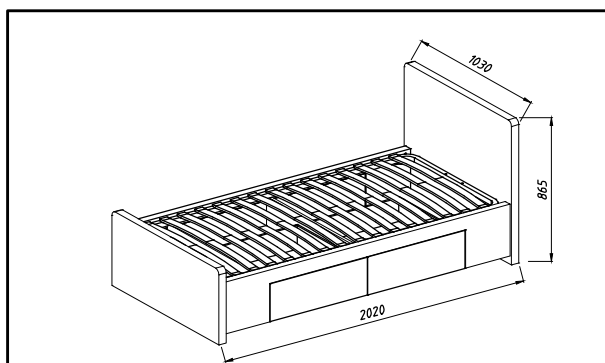
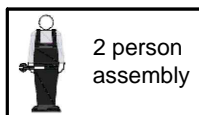
Please assembly the furniture in the room where it is to be situated as moving it around after it is assembled may cause unnecessary damage

142838 -High gloss white

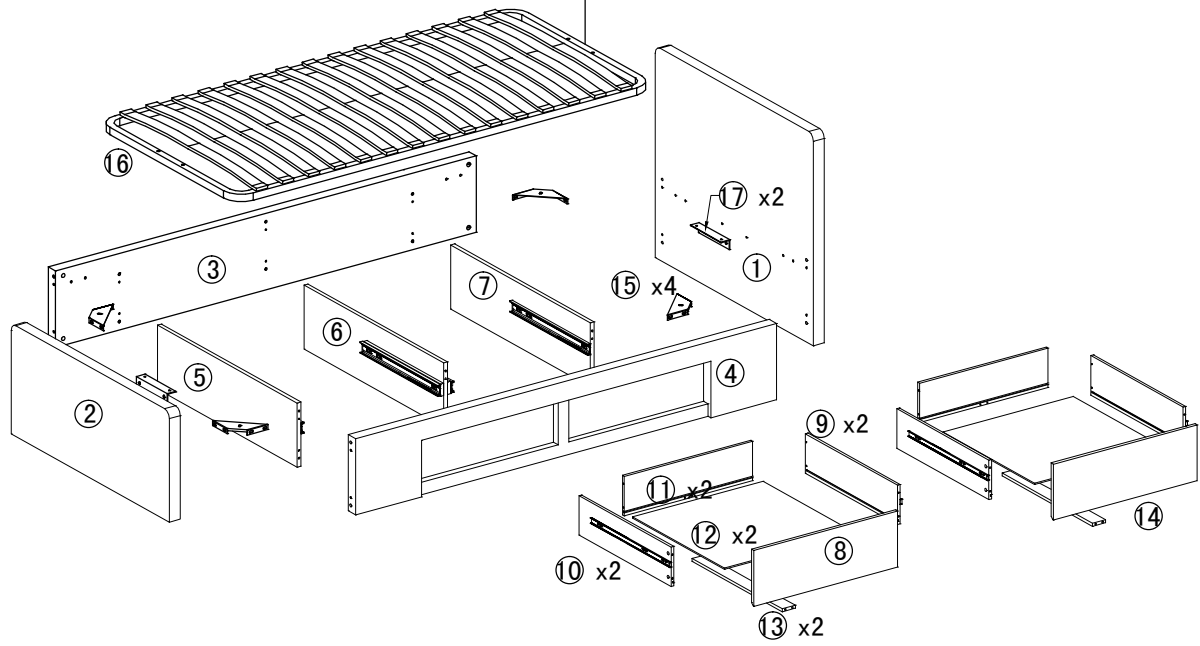


PLEASE READ

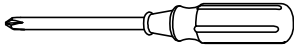
- Please read the assembly instructions carefully.
- We can not accept return on any part or fully assembled products.
- Identify each part of the furniture before assembly using the instructions.
- Check all pieces are present and correct.
- Ensure you have all of the correct tools needed for assembly.
- Clear a suitable place to work.
- Never force the fittings together.
- Do not fully tighten any screws until all pieces of the main structure are in place.
- Keep these instructions for future assembly.



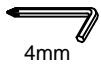
COMPONENTS



TOOLS NOT INCLUDED

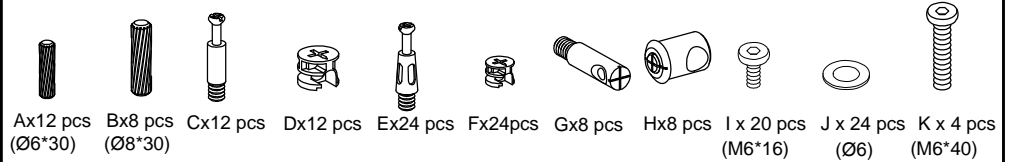


TOOLS INCLUDED

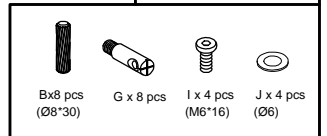
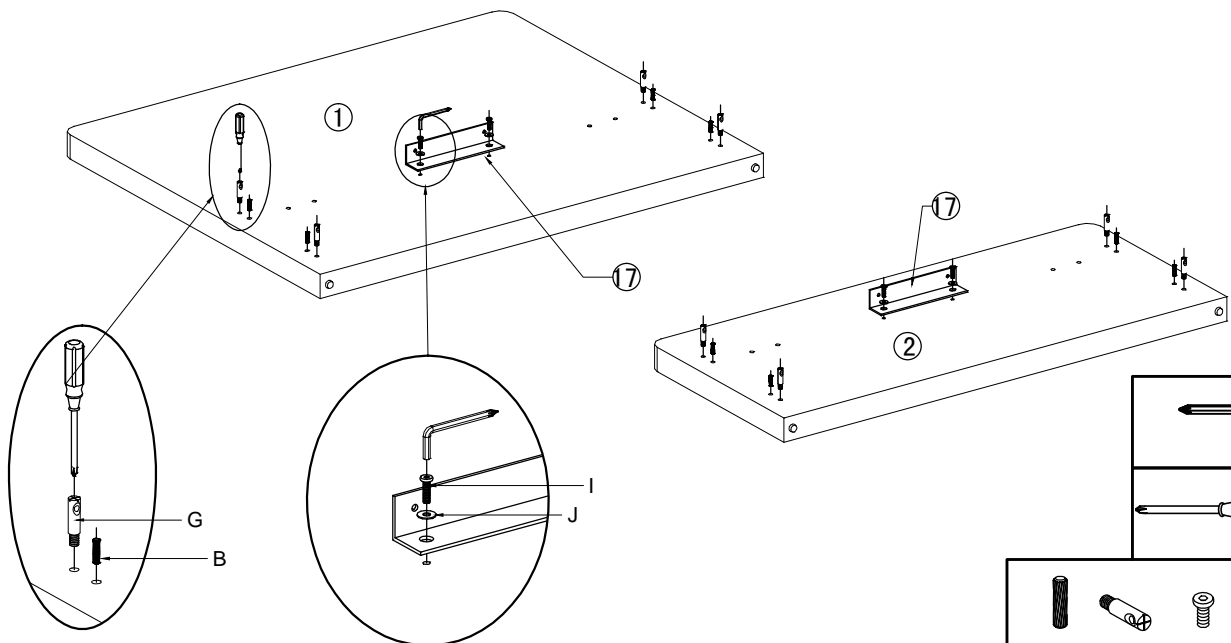


4mm

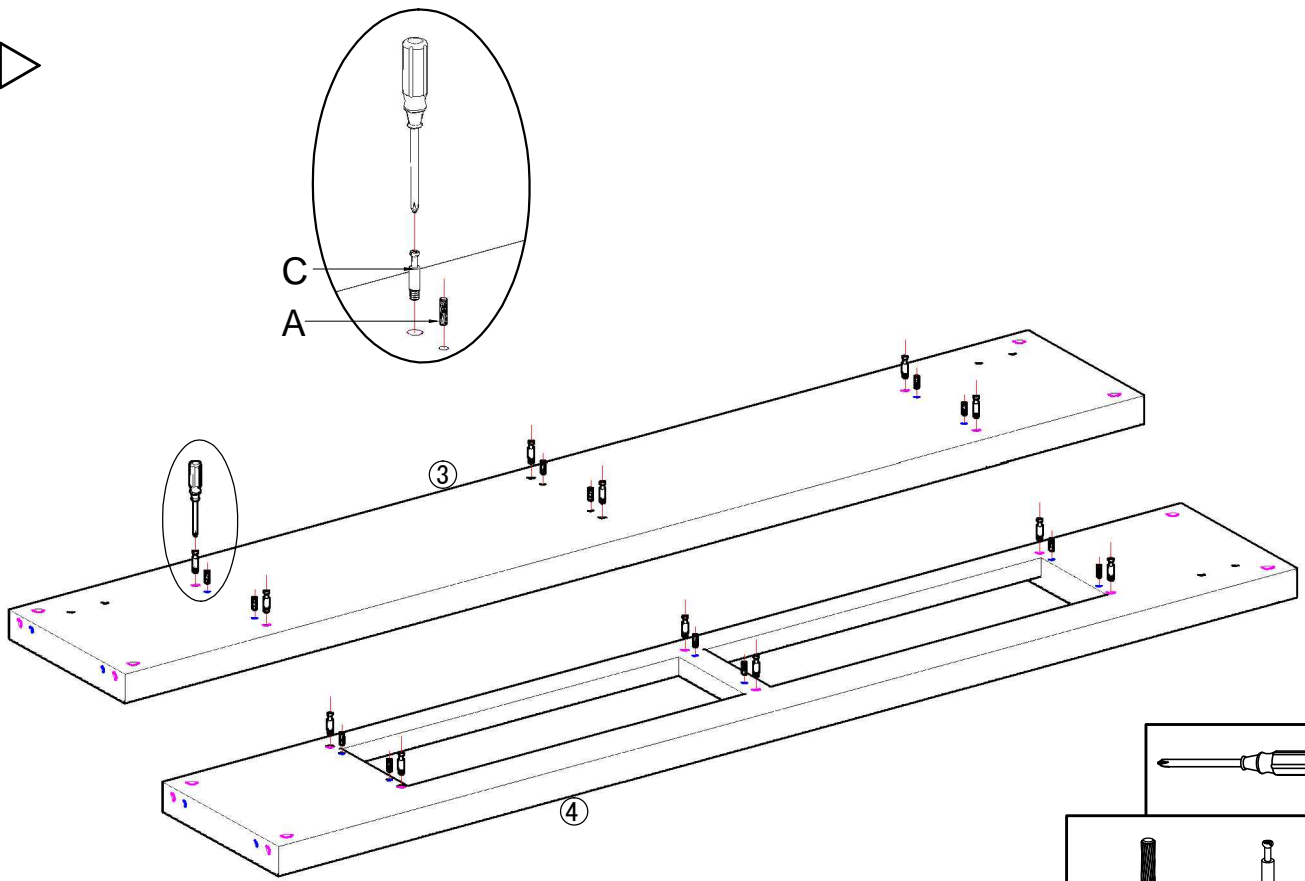
HARDWARE



1 ▶



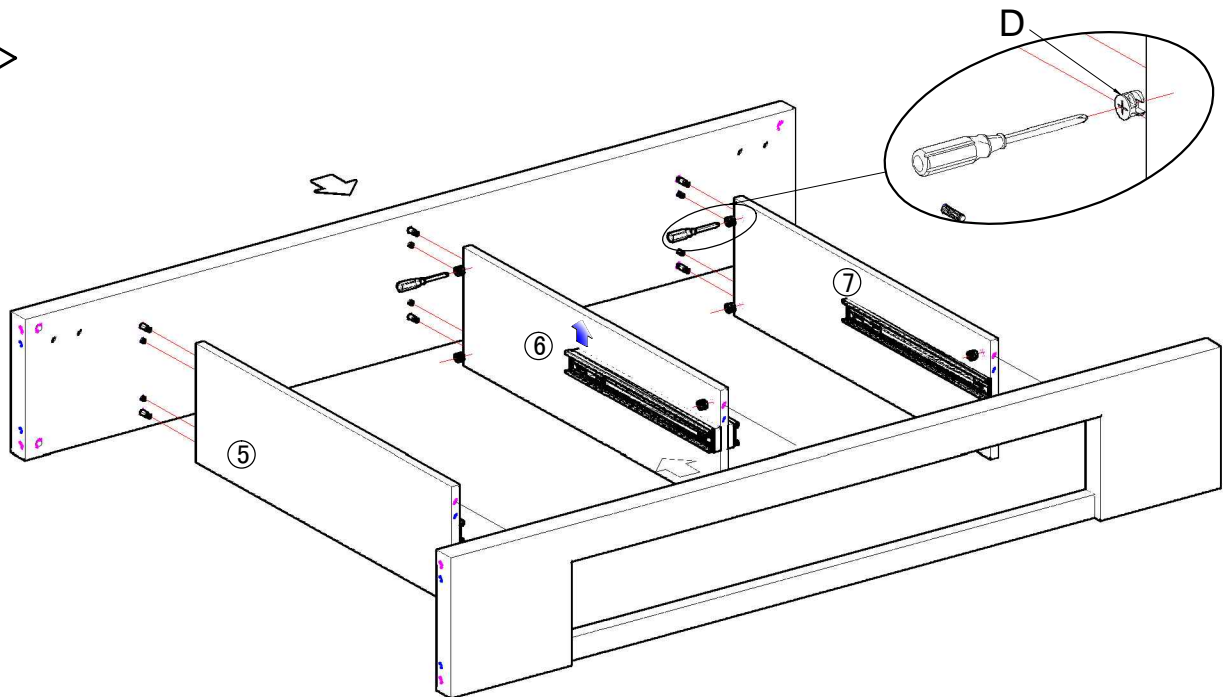
2 ▷



Ax12 pcs
(Ø6*30)

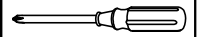
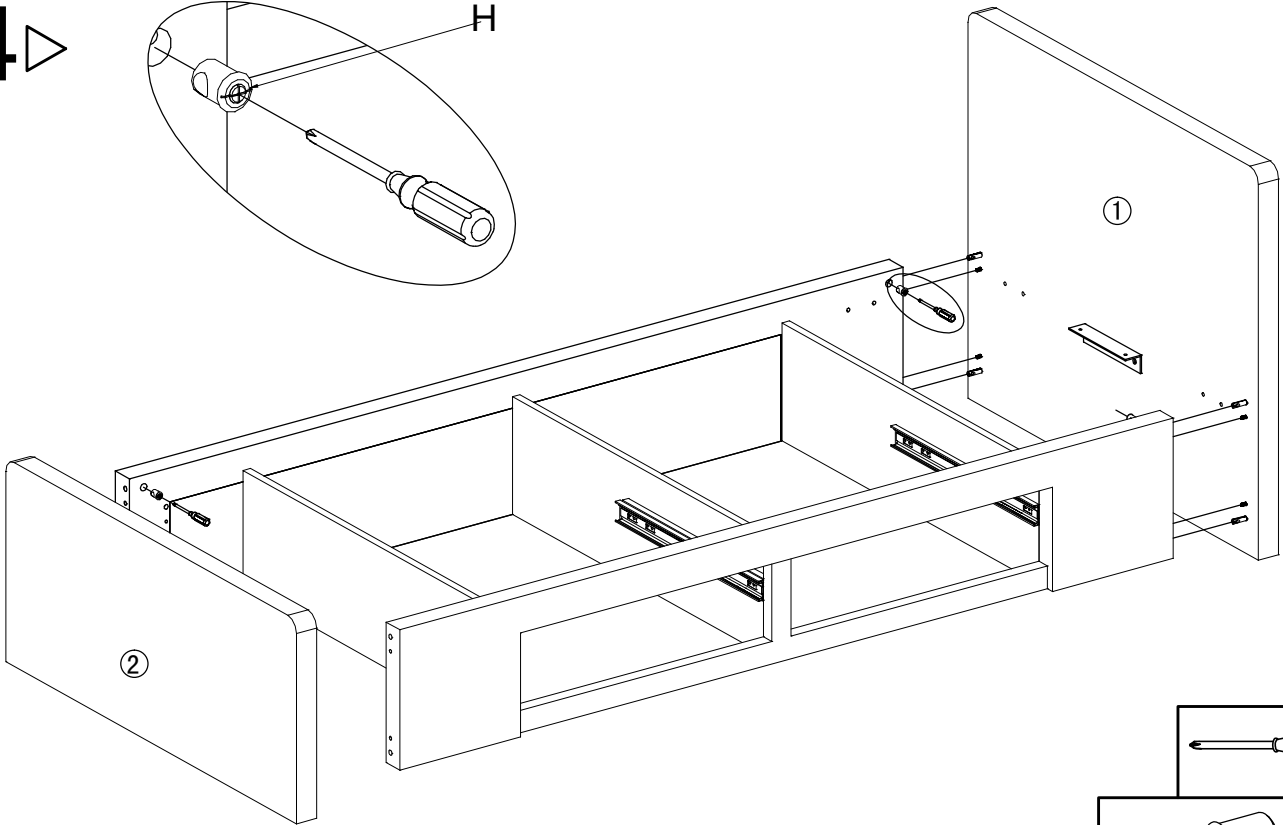
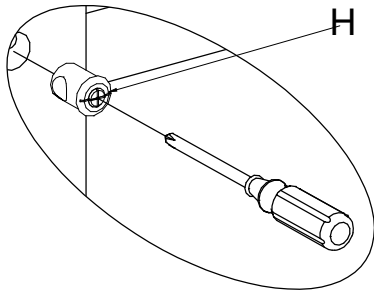
Cx12 pcs

3 ▷



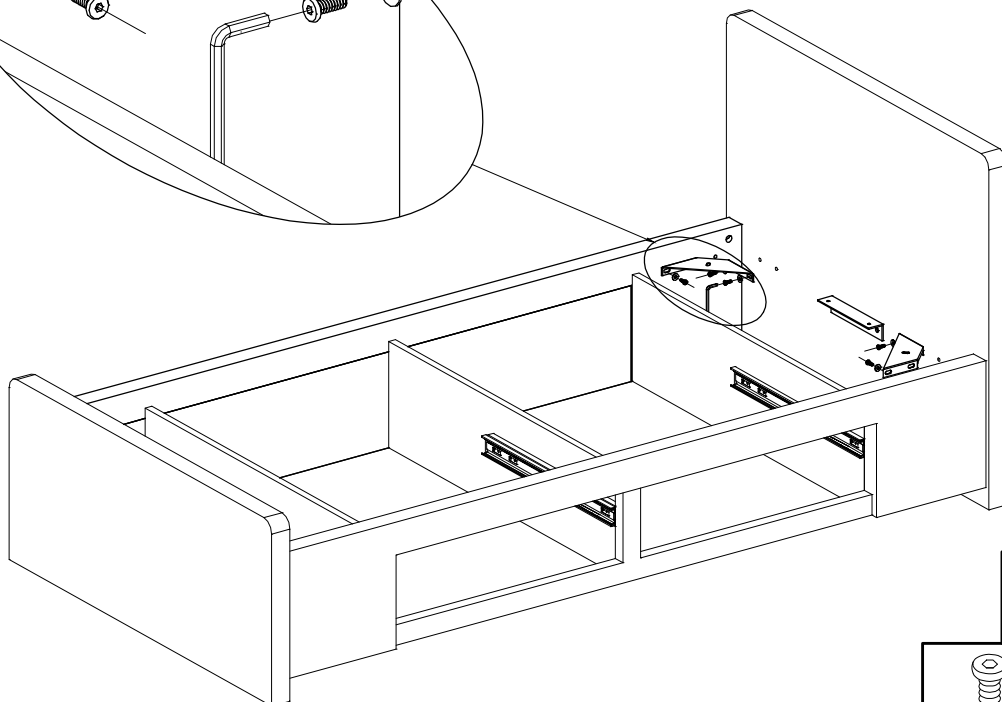
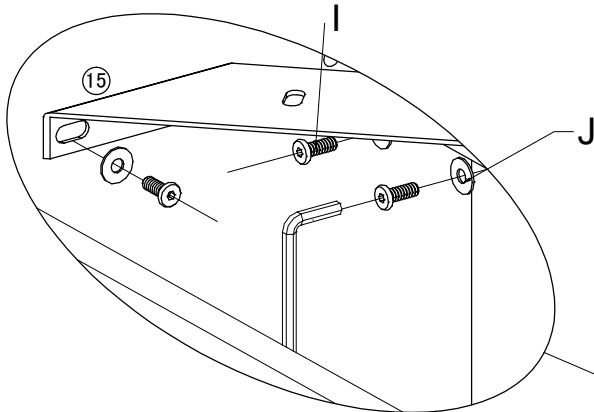
Dx12 pcs

4 ▷



Hx8 pcs

5 ▷

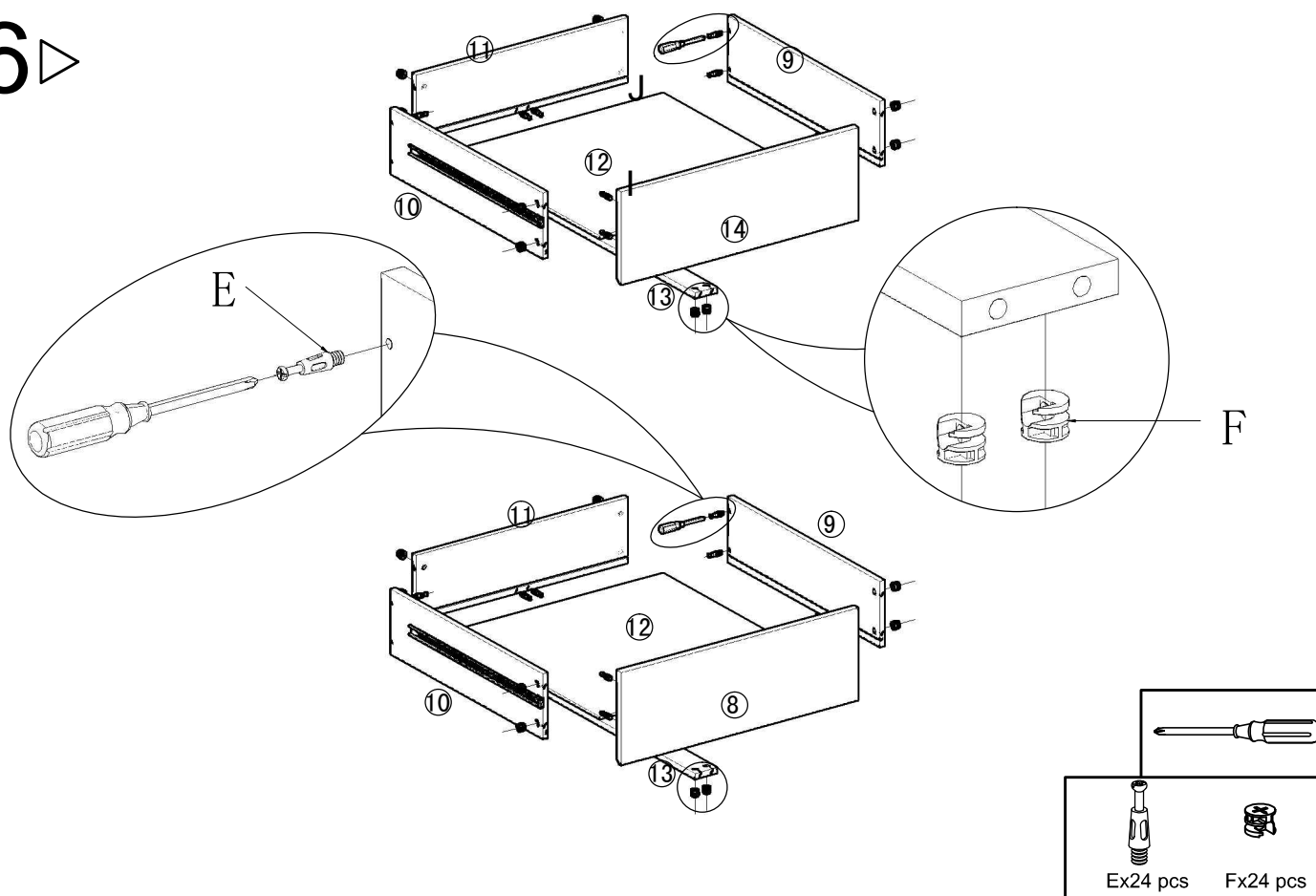


Ix16 pcs
(M6*16)

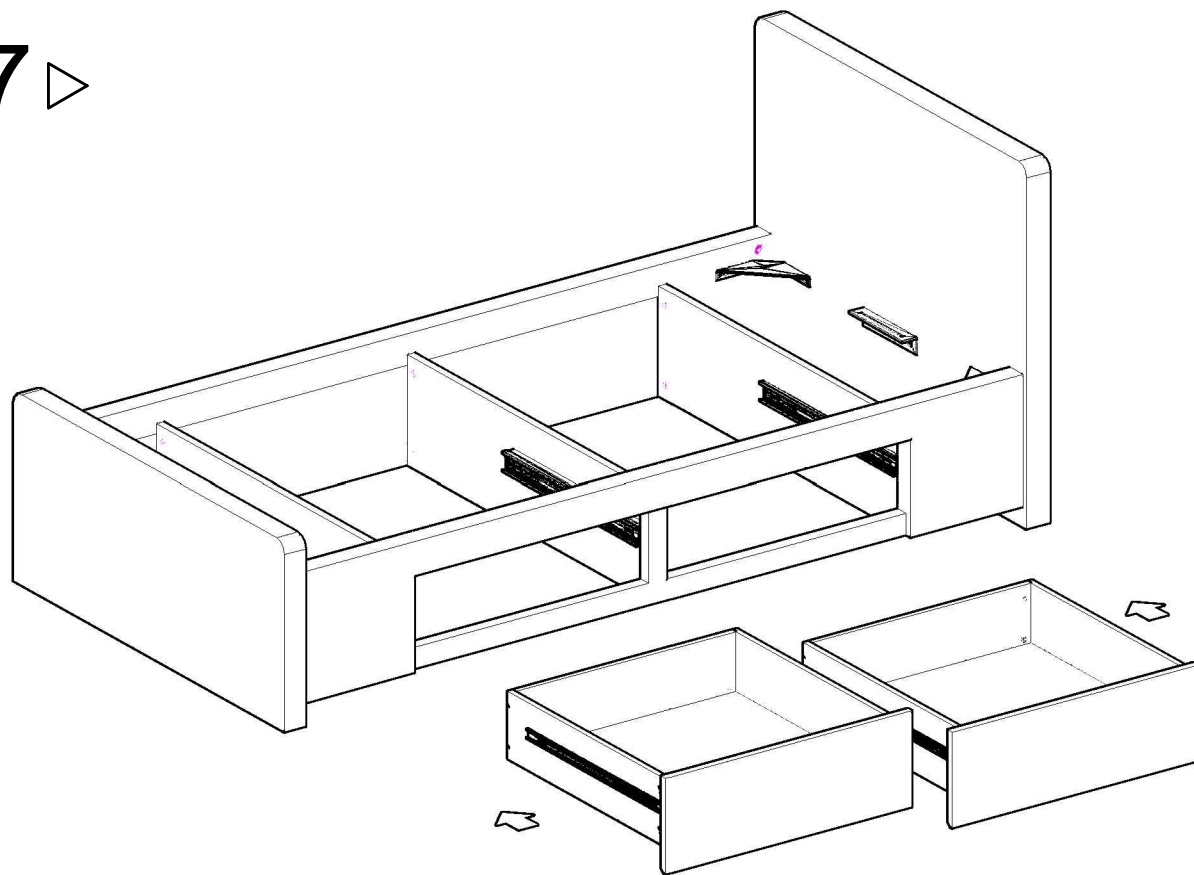


Jx16 pcs

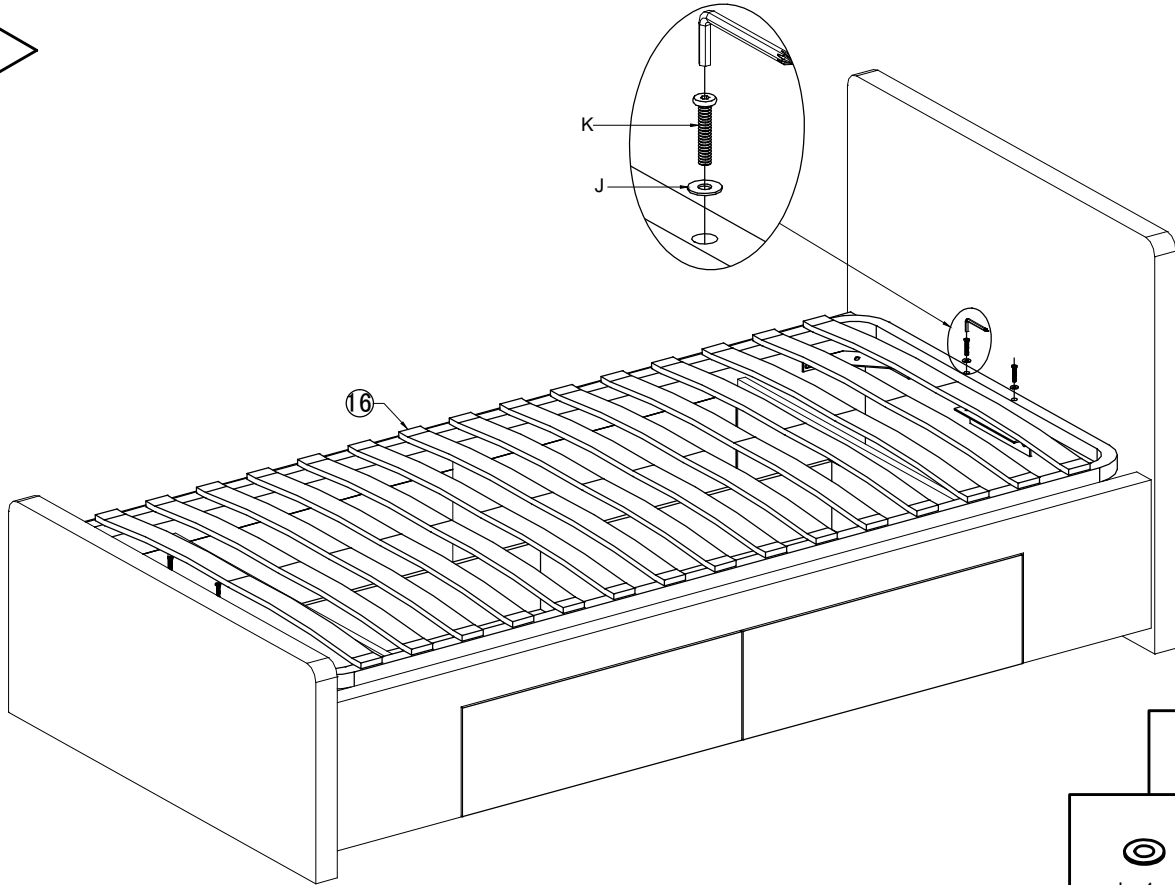
6 ▷



7 ▷



8 ▶



J x 4 pcs
(Ø6)



K x 4 pcs
(M6*40)

9 ▶

