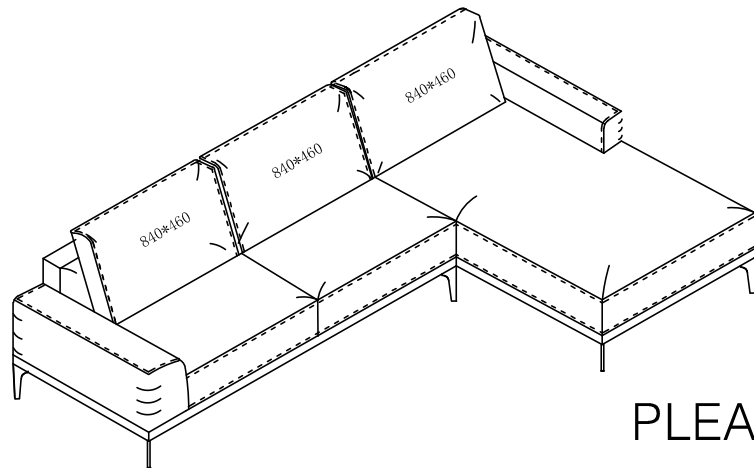


dwell

AI-SN-S709

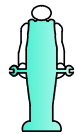
wood base & blk metal
leg corner sofa

141376-Sunday 30 7199-7F
141378-Sunday 70 7199-8F

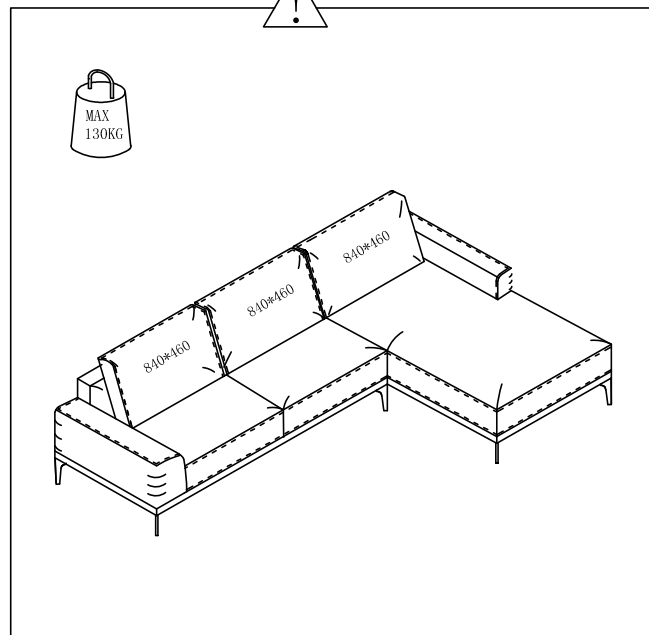
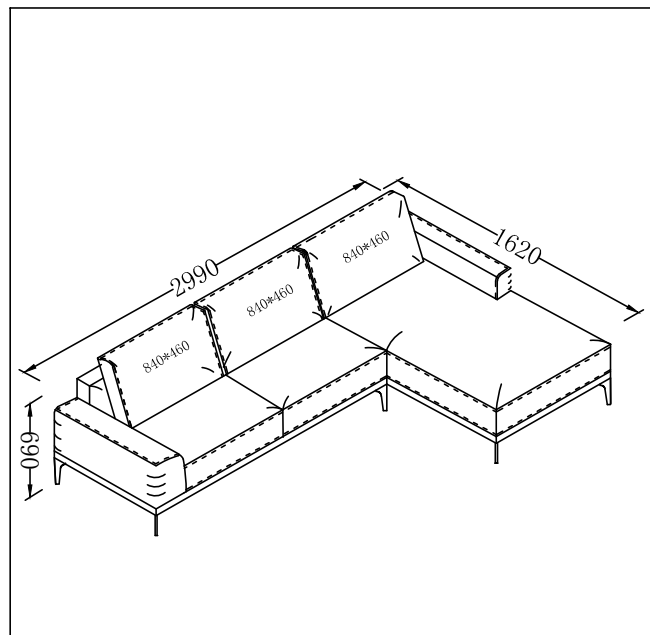


PLEASE READ

- Please read the assembly instructions carefully.
- We cannot accept return on any part or fully assembled products.
- Identify each part of the furniture before assembly using the instructions.
- Check all pieces are present and correct.
- Ensure you have all of the correct tools needed for assembly.
- Clear a suitable place to work.
- Never force the fittings together.
- Do not fully tighten any screws until all pieces of the main structure are in place.
- Keep these instructions for future assembly.



2 persons
assembly



AI-SN-S709

TOOLS NEEDED

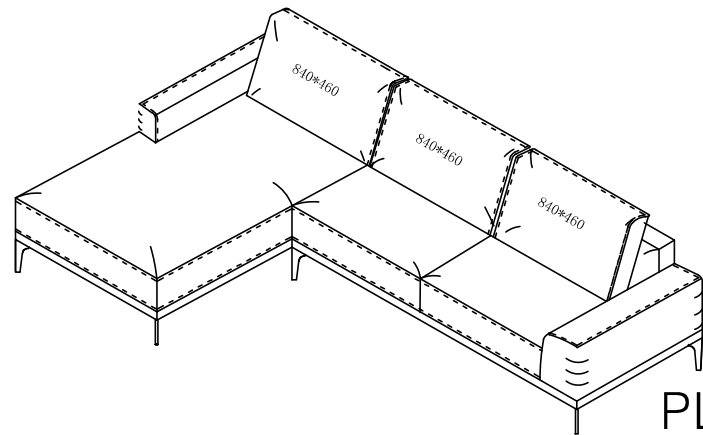
HARDWARE

COMPONENTS

Assembly Instructions

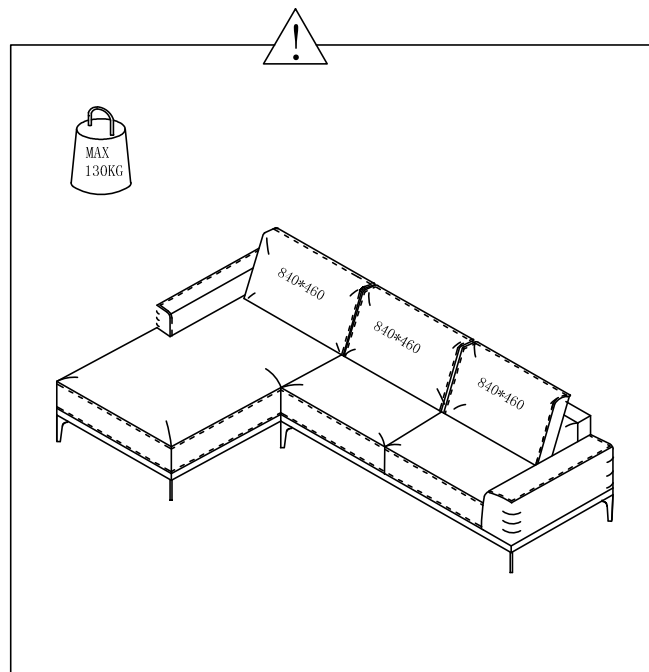
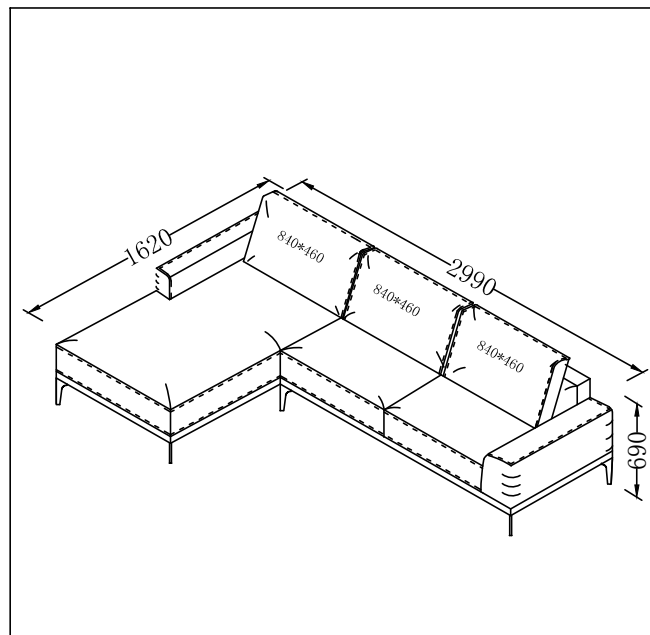
dwell

141382-Sunday 30 7199-7F
141384-Sunday 70 7199-8F



PLEASE READ

- Please read the assembly instructions carefully.
- We cannot accept return on any part or fully assembled products.
- Identify each part of the furniture before assembly using the instructions.
- Check all pieces are present and correct.
- Ensure you have all of the correct tools needed for assembly.
- Clear a suitable place to work.
- Never force the fittings together.
- Do not fully tighten any screws until all pieces of the main structure are in place.
- Keep these instructions for future assembly.



AI-SN-S709
wood base & blk metal
leg corner sofa

AI-SN-S709

TOOLS NEEDED

M8 M6

HARDWARE

A × 16 B × 16
M8*20mm M8*17mm

COMPONENTS

Assembly Instructions

Please tighten the screw in two sides after assembling the legs

Please tighten the screw in two sides after assembling the legs