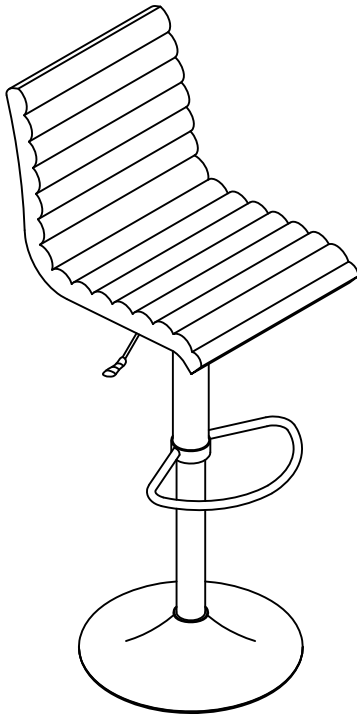


dwell

Ripple Bar Chair

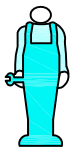
110151 - Red PU
109278 - White PU
109284 - Brown PU
111125 - Tan PU

109277 - Black PU
109283 - Cream PU
109674 - Grey PU

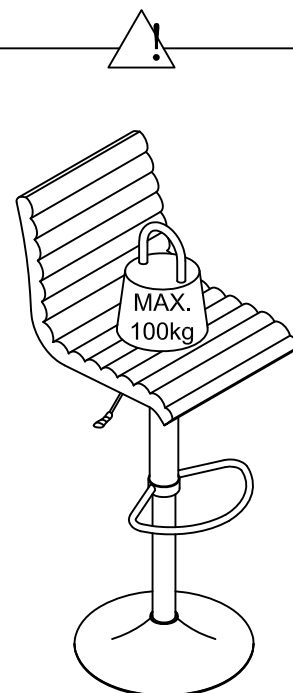
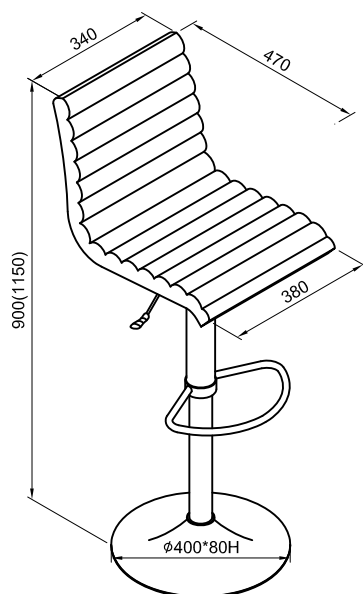


PLEASE READ

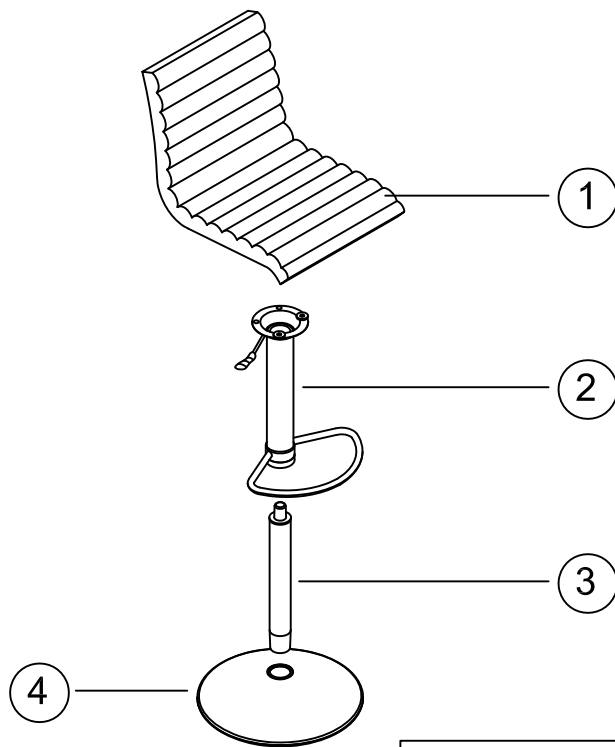
- Please read the assembly Instructions carefully.
- We cannot accept return on any part or fully assembled products.
- Identify each part of the furniture before assembly using the instructions.
- Check all pieces are present and correct.
- Ensure you have all of the correct tools needed for assembly.
- Clear a suitable place to work.
- Never force the fittings together.
- Do not fully tighten any screws until all pieces of the main structure are in place.
- Keep these instructions for future assembly.



1 person
assembly



COMPONENTS



TOOLS NEEDED



HARDWARE

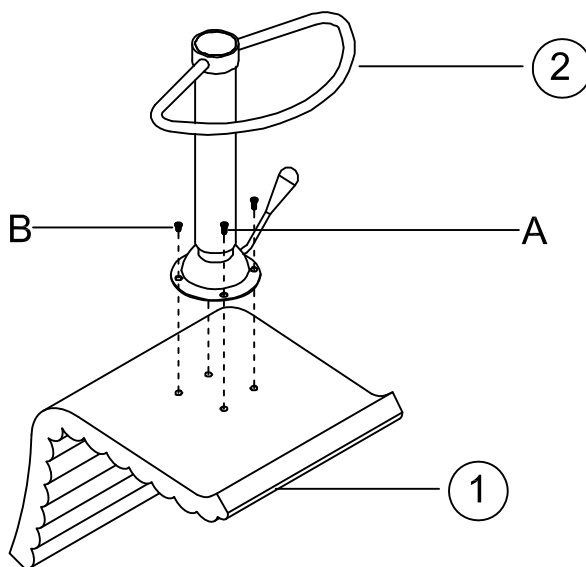


A x2
M6*15

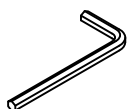


B x2
M6*12

1 ▷



TOOLS NEEDED



HARDWARE



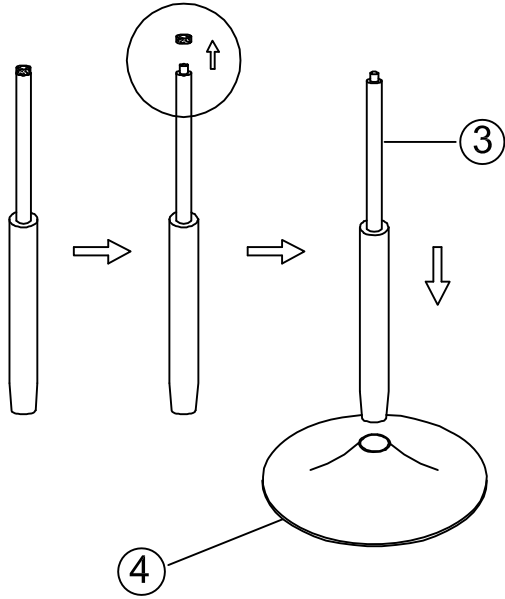
A x2
M6*15



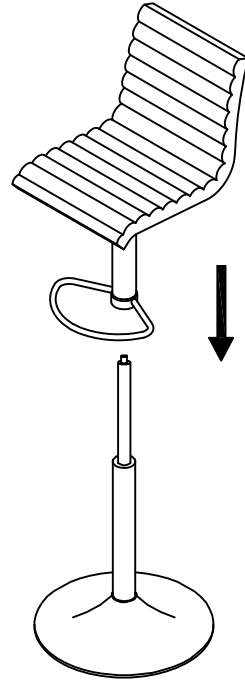
B x2
M6*12

2 ▷

Remove the cap
before assembling!



3 ▷



TOOLS NEEDED

HARDWARE

4 ▷

