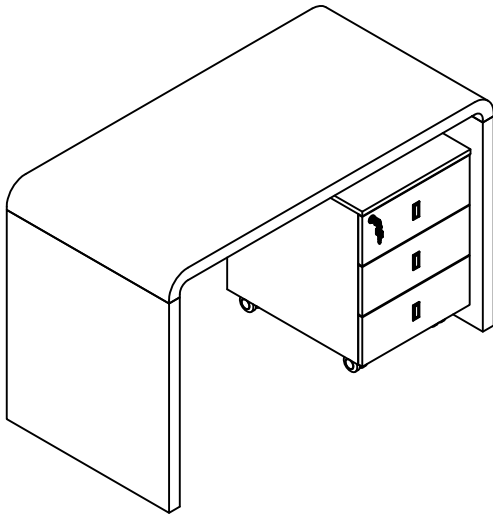


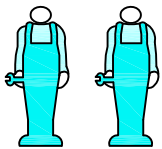
dwell

Gloss Desk

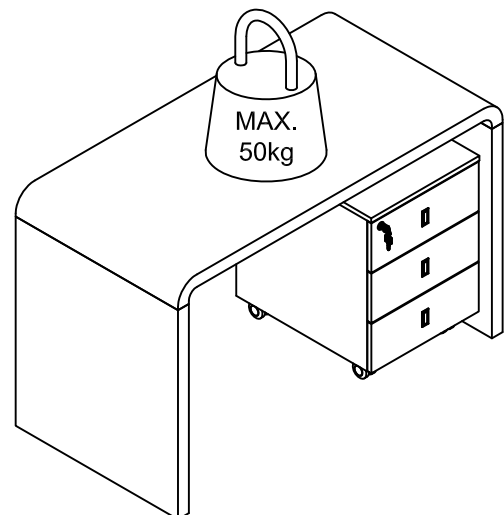
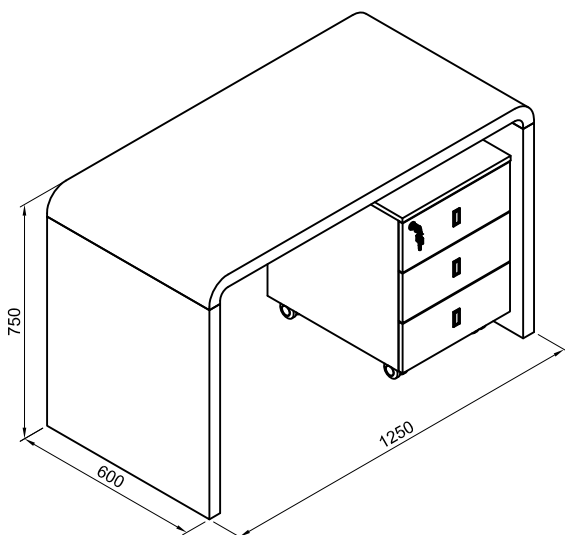


PLEASE READ

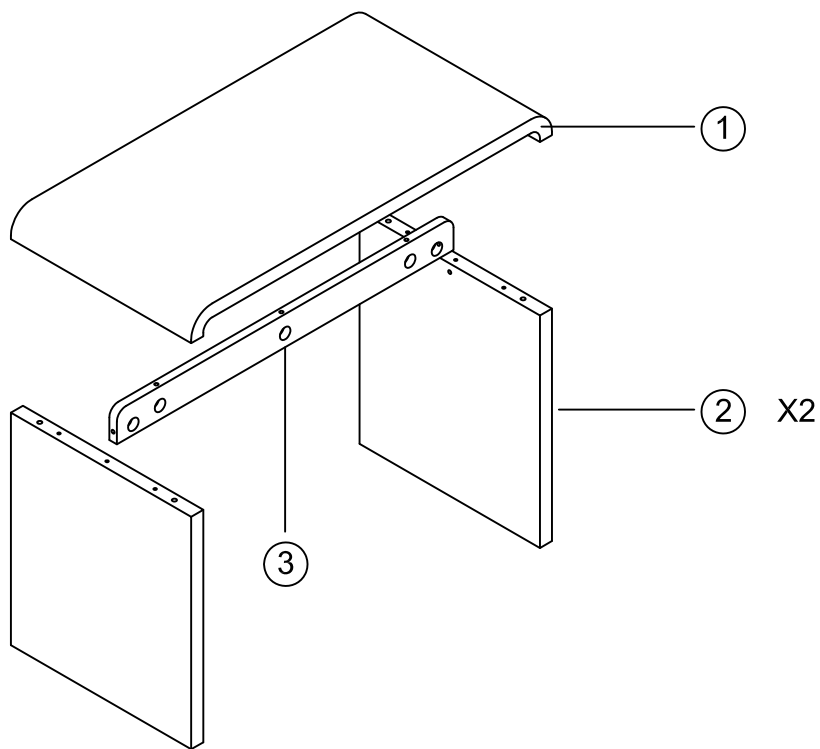
- Please read the assembly Instructions carefully.
- We cannot accept return on any part or fully assembled products.
- Identify each part of the furniture before assembly using the instructions.
- Check all pieces are present and correct.
- Ensure you have all of the correct tools needed for assembly.
- Clear a suitable place to work.
- Never force the fittings together.
- Do not fully tighten any screws until all pieces of the main structure are in place.
- Keep these instructions for future assembly.



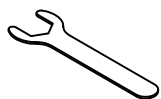
2 persons
assembly



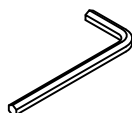
COMPONENTS



TOOLS NEEDED



M14



M8

HARDWARE



A x4
M10*680



B x5
M8*80



C x5
30*15*14



D x5
M8



E x5
Ø40



F x8
Ø7.8*40

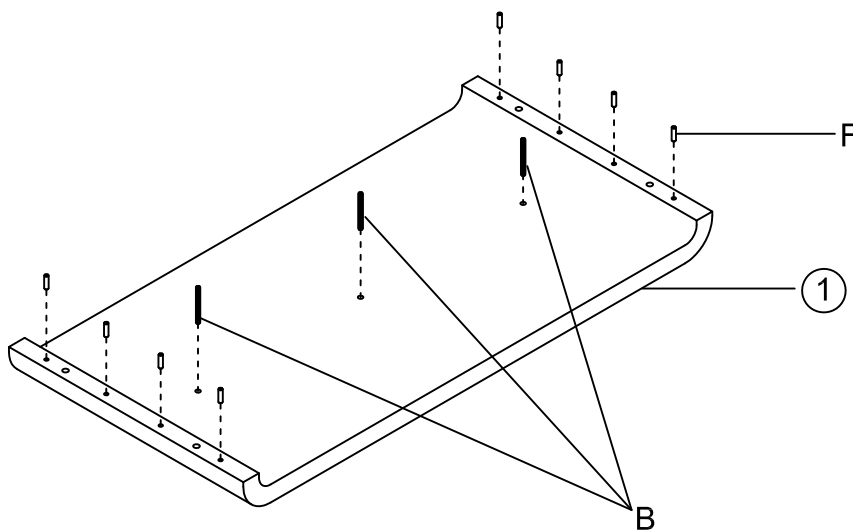


G x4
Ø10*22*2



H x4
Ø10*16*3

1 ▷



TOOLS NEEDED

HARDWARE

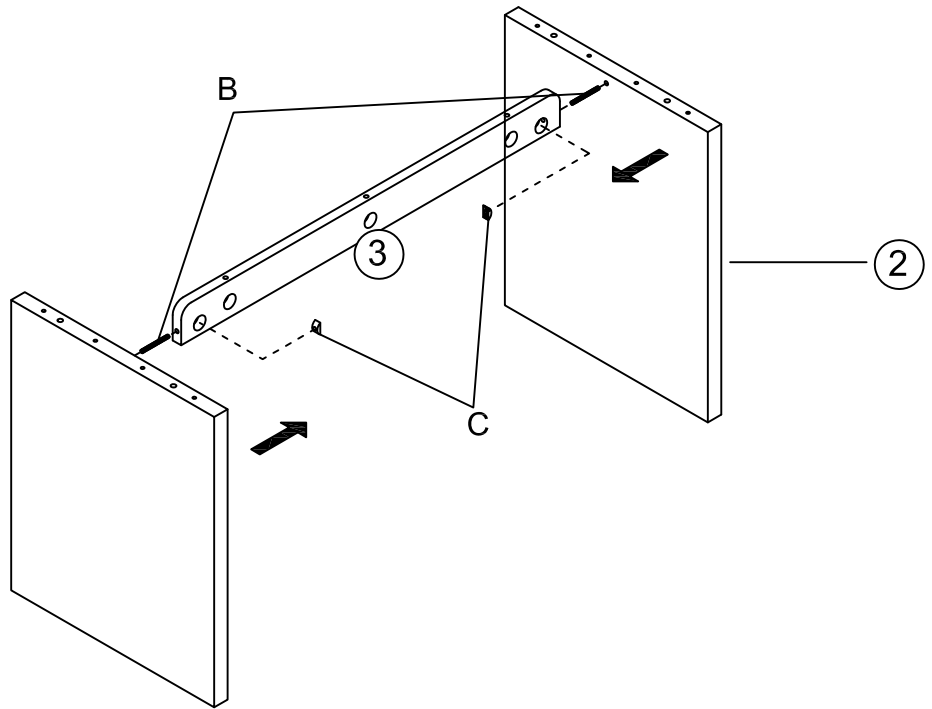


B x3
M8*80



F x8
Ø7.8*40

2 ▷



TOOLS NEEDED



HARDWARE

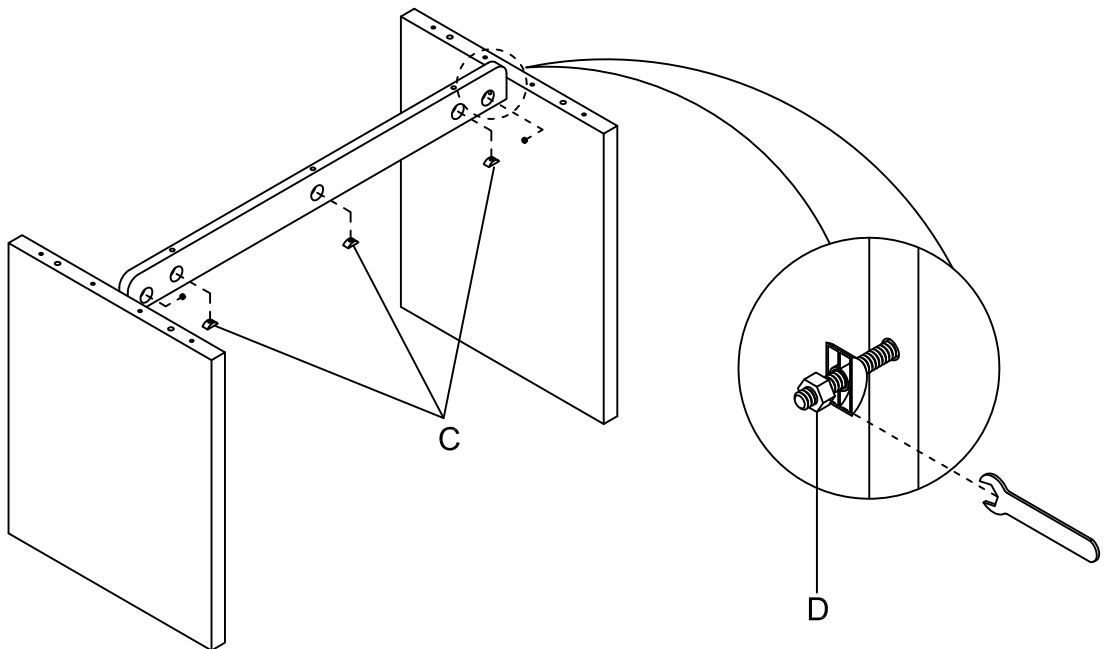


B x2
M8*80



C x2
30*15*14

3 ▷



TOOLS NEEDED



HARDWARE



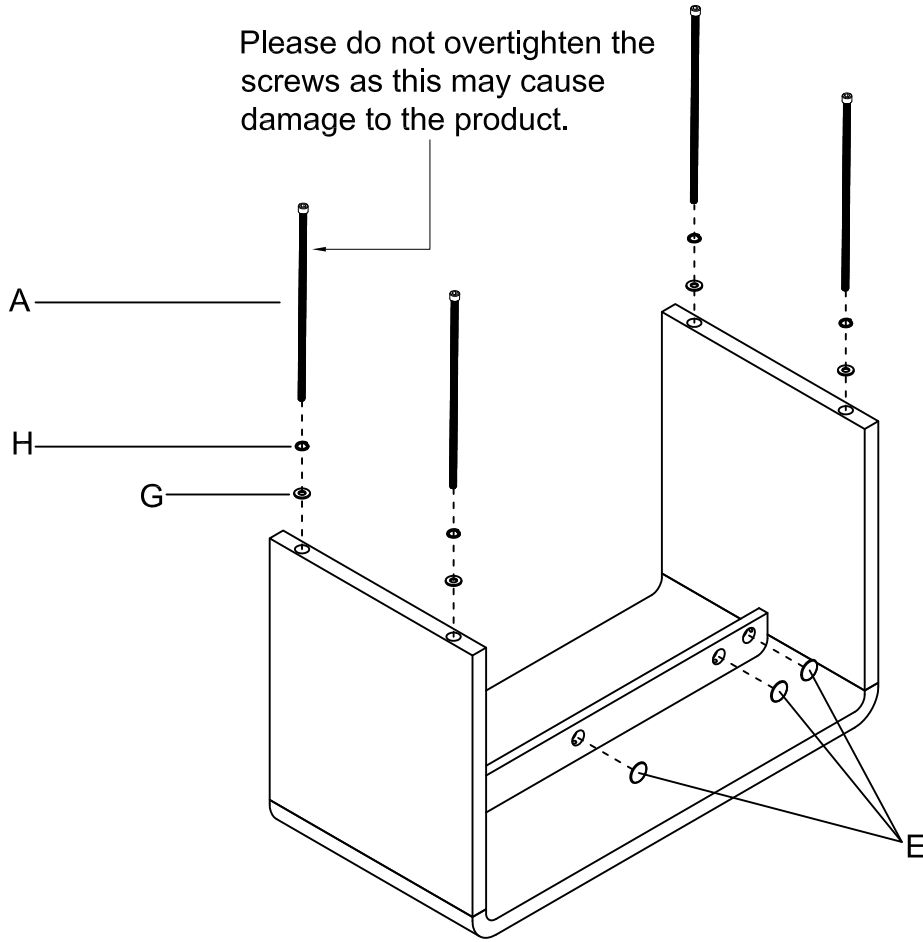
C x3
30*15*14



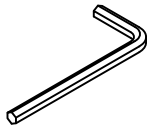
D x2
M8

4 ▷

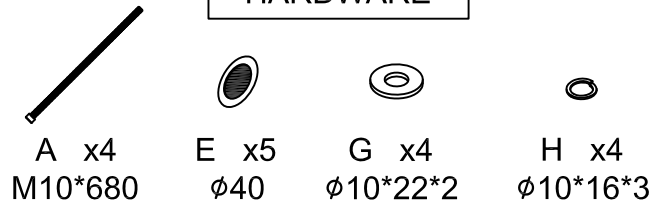
Please do not overtighten the screws as this may cause damage to the product.



TOOLS NEEDED



HARDWARE



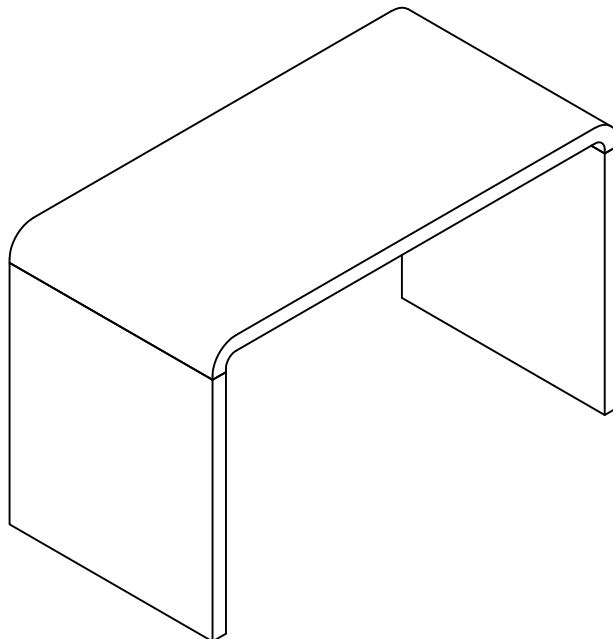
A x4
M10*680

E x5
φ40

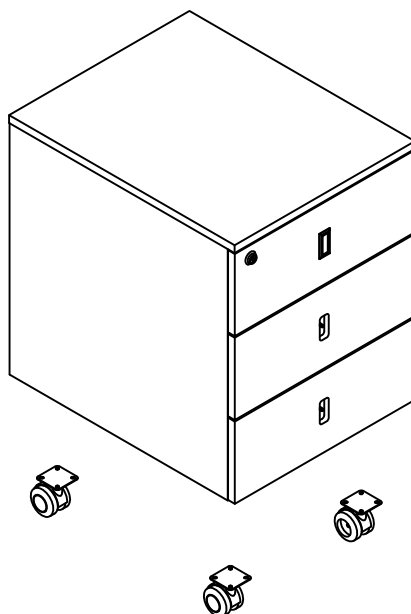
G x4
φ10*22*2

H x4
φ10*16*3

5 ▷

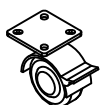


COMPONENTS

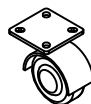


TOOLS NEEDED

HARDWARE



I x2
ø50*70

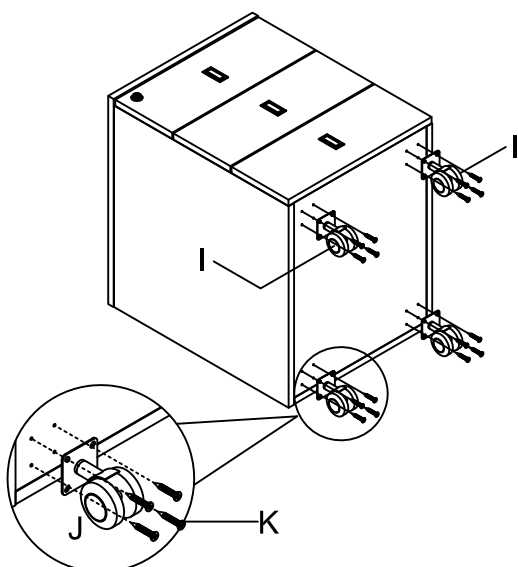


J x2
ø50*70



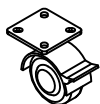
K x16
M4*15

6 ▷

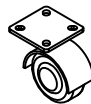


TOOLS NEEDED

HARDWARE



I x2
ø50*70



J x2
ø50*70



K x16
M4*15

7 ▷

