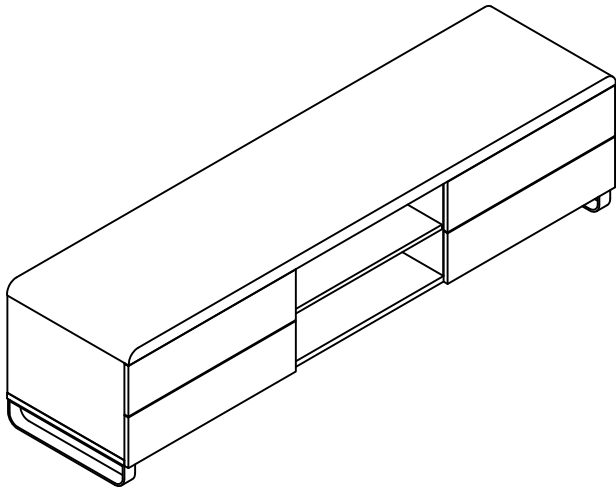


dwell

4 drawer TV unit

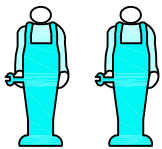
135165 - Black high gloss

135167 - White high gloss

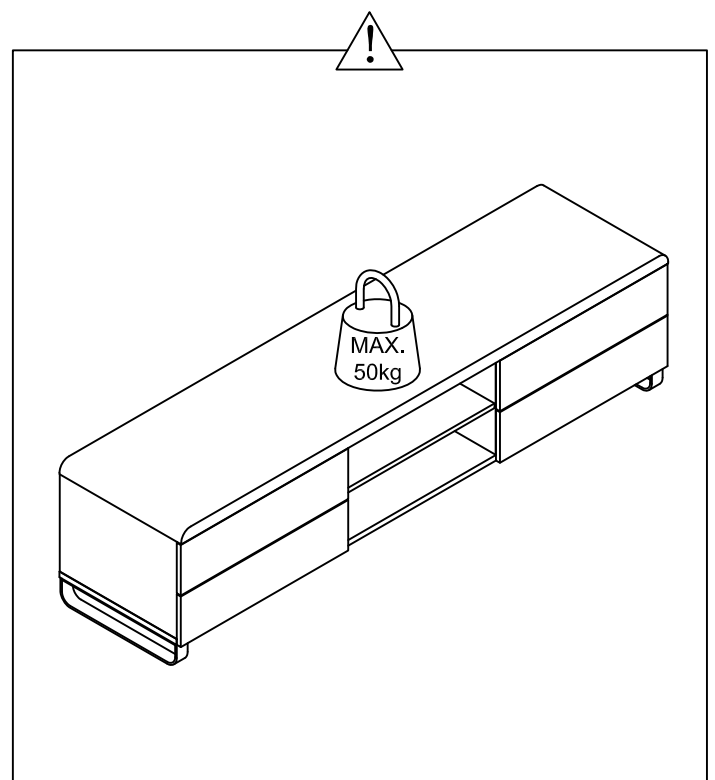
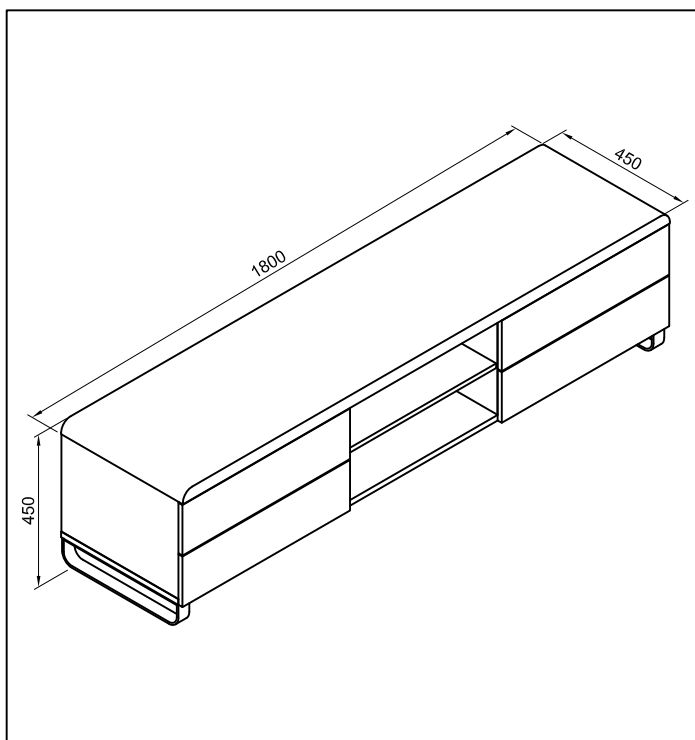


PLEASE READ

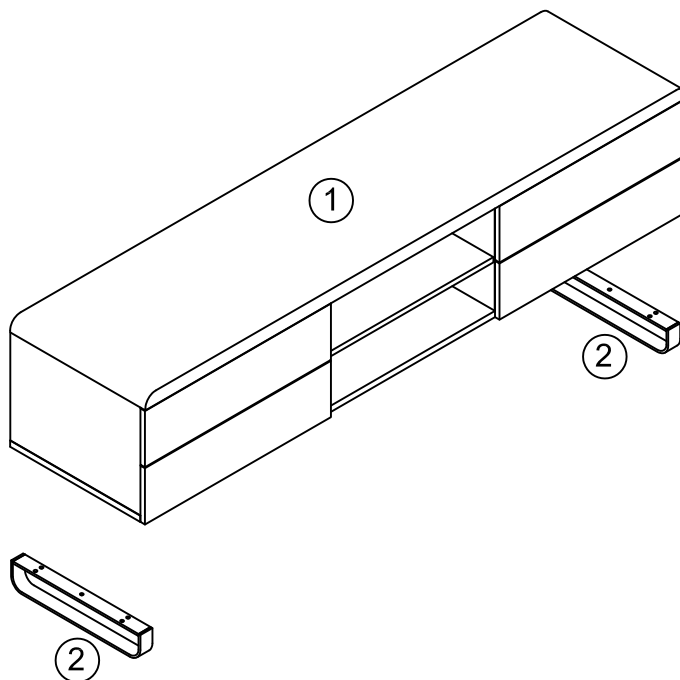
- Please read the assembly Instructions carefully.
- We cannot accept return on any part or fully assembled products.
- Identify each part of the furniture before assembly using the instructions.
- Check all pieces are present and correct.
- Ensure you have all of the correct tools needed for assembly.
- Clear a suitable place to work.
- Never force the fittings together.
- Do not fully tighten any screws until all pieces of the main structure are in place.
- Keep these instructions for future assembly.



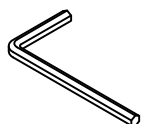
2 persons
assembly



COMPONENTS

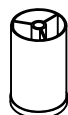


TOOLS NEEDED



M4

HARDWARE



A x2
Ø38*83

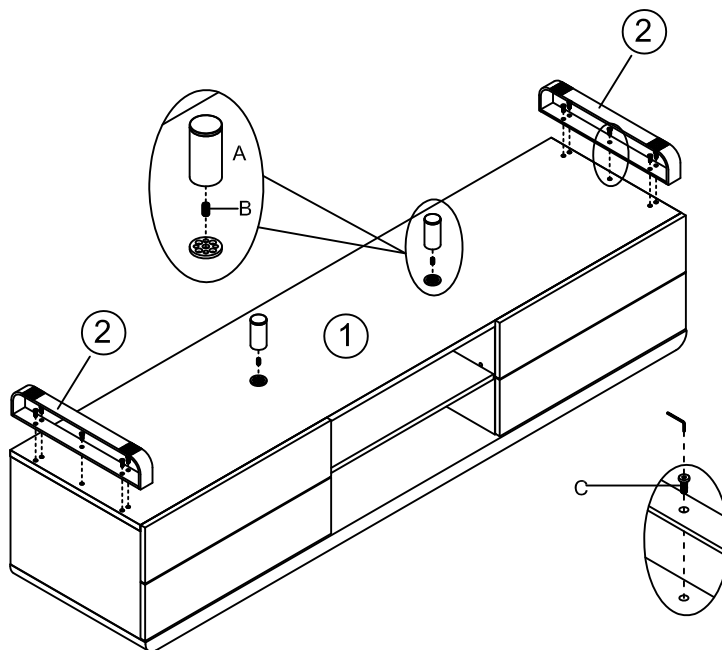


B x2
M8*15

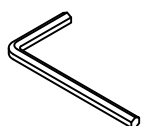


C x10
M6*15

1 ▷

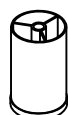


TOOLS NEEDED



M4

HARDWARE



A x2
Ø38*83

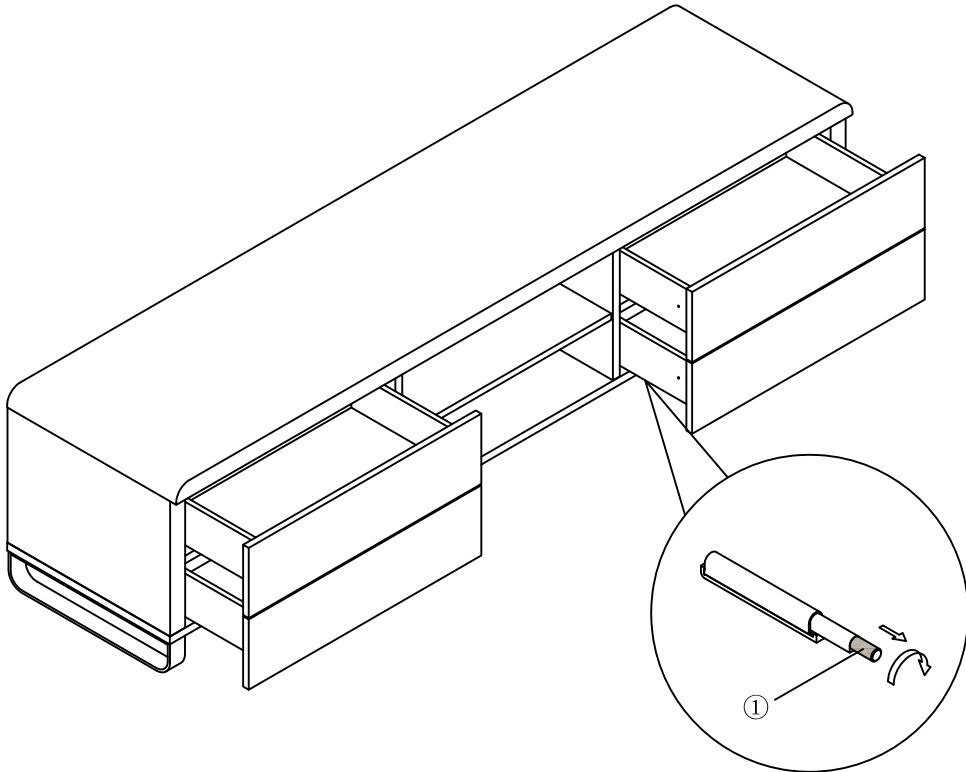


B x2
M8*15

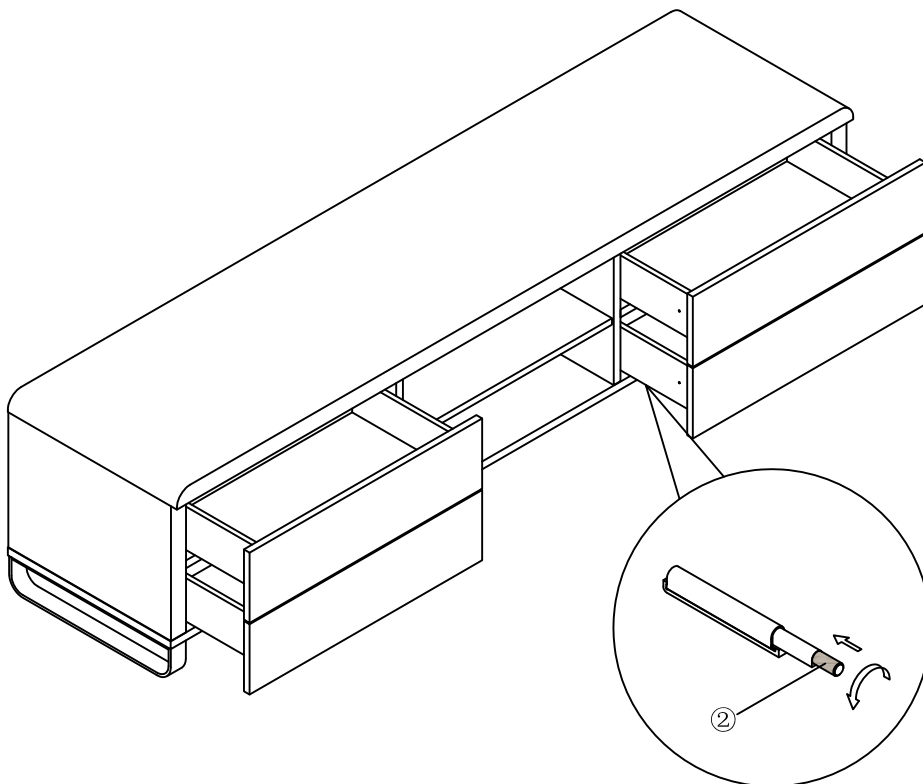


C x10
M6*15

2 ▷



IF THE DRAWERS CAN NOT BE OPENED,
PLEASE ADJUST MECHANISM LIKE ABOVE PHOTO ①



IF THE DRAWER CAN NOT BE CLOSED OR NOT BE FLUSH,
PLEASE ADJUST MECHANISM LIKE ABOVE PHOTO ②