

dwell

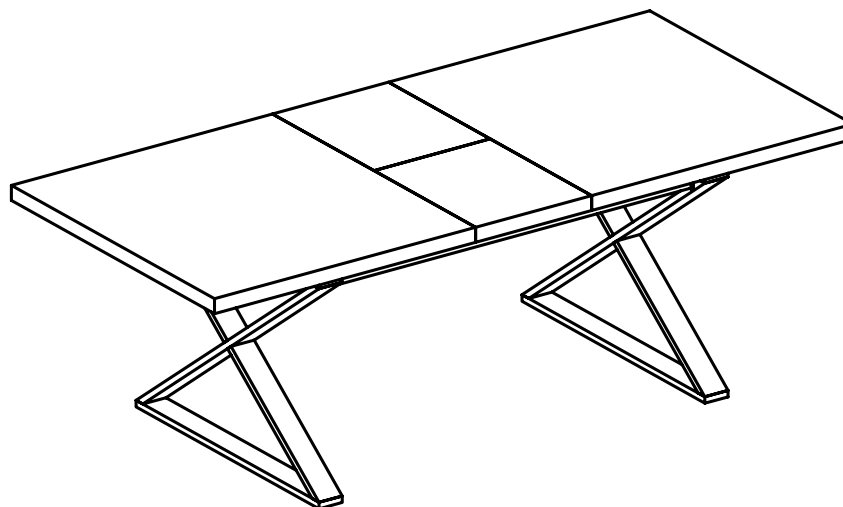
Crossed leg extendable dining table

104938-Walnut

105709-White

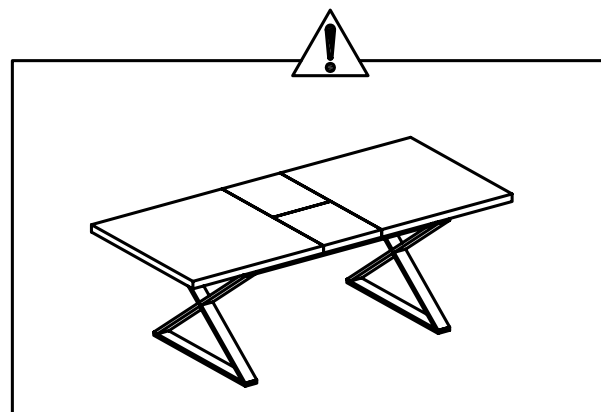
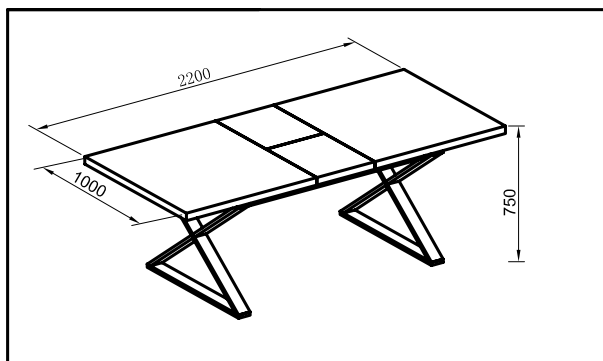
112264-Oak

118748-Stone

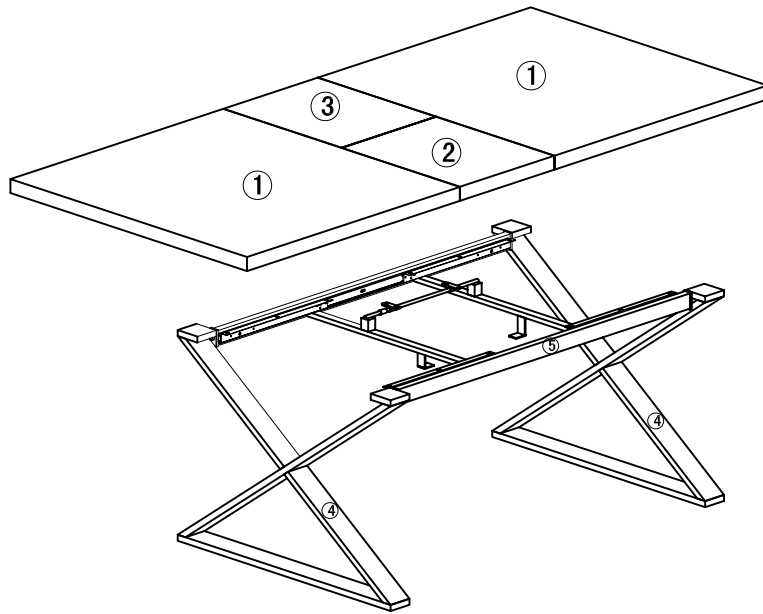


PLEASE READ

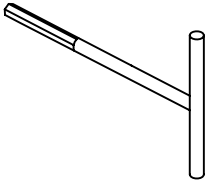
Please read the assembly instructions carefully.
We can not accept return on any part or fully assembled products.
Identify each part of the furniture before assembly using the instructions.
Check all pieces are present and correct.
Ensure you have all of the correct tools needed for assembly.
Clear a suitable place to work.
Never force the fittings together.
Do not fully tighten any screws until all pieces of the main structure are in place.
Keep these instructions for future assembly.



COMPONENTS



TOOLS INCLUDED



HARDWARE

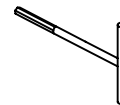
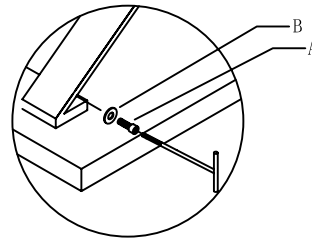
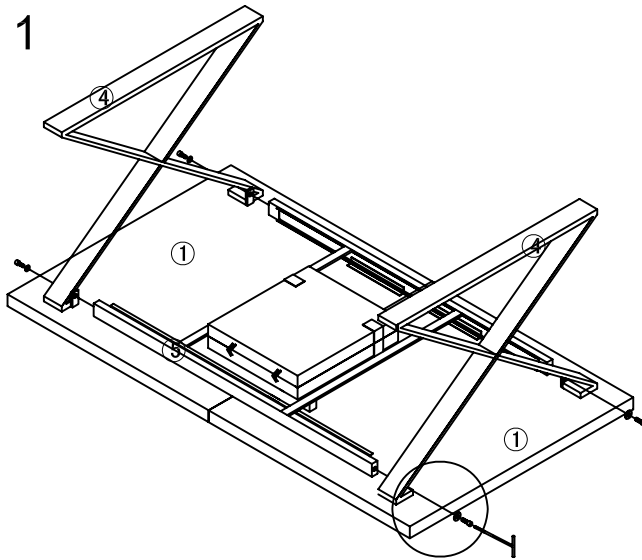


Ax4pcs
(M10*25)



Bx4pcs
(Ø20*Ø10*1.5)

Step 1



M8

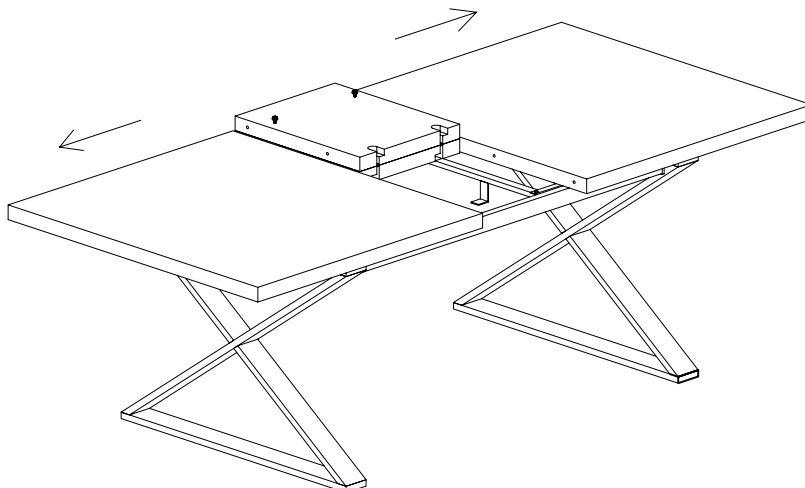


Ax4pcs
M10*25

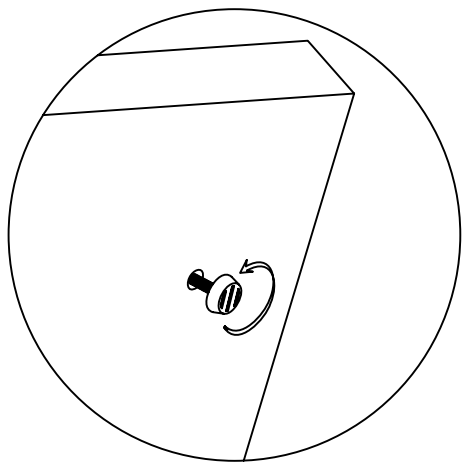


Bx4pcs
Ø20*Ø10*1.5

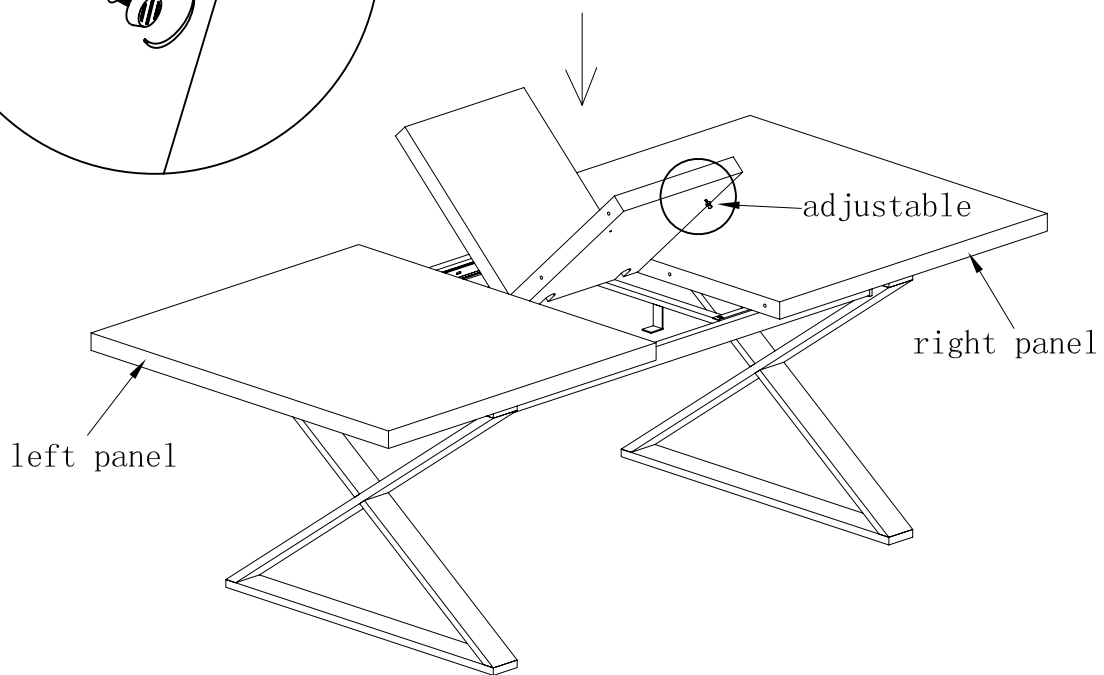
Step 2



Step 3



To make the extendable shelf the Same Height as the left and right panel, please adjust the feet adjustable



Finish

