

B-818 (1350X1900)

Hardware/Quincaillerie



A
X4



B
X2



C
X2



D
X52
(8*25)



E
X6
(8*50)



F
X12
(8*22)



G
X8
(M8)



H
X1
(30*30*230)

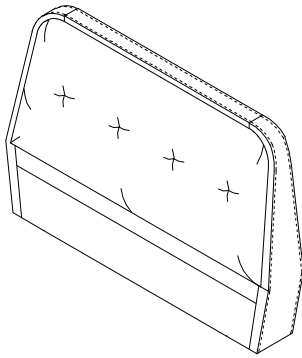


I
X2
(8*40)

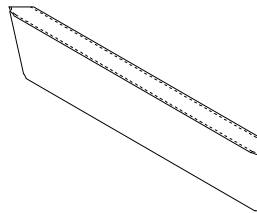


J
X2
(8*17)

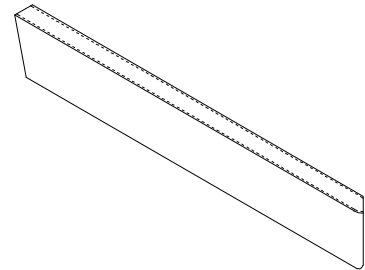
Components/Composantes



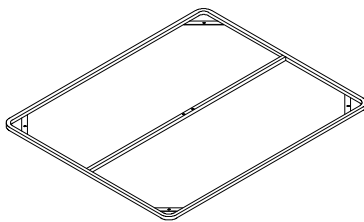
K
X1



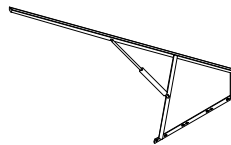
L
X1



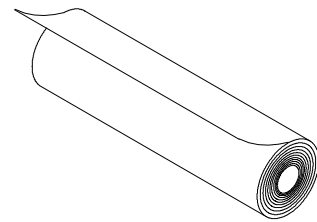
M
X2



N
X1
(1350*1900)



O
X2



P
X2

Tools Required/Outils requis



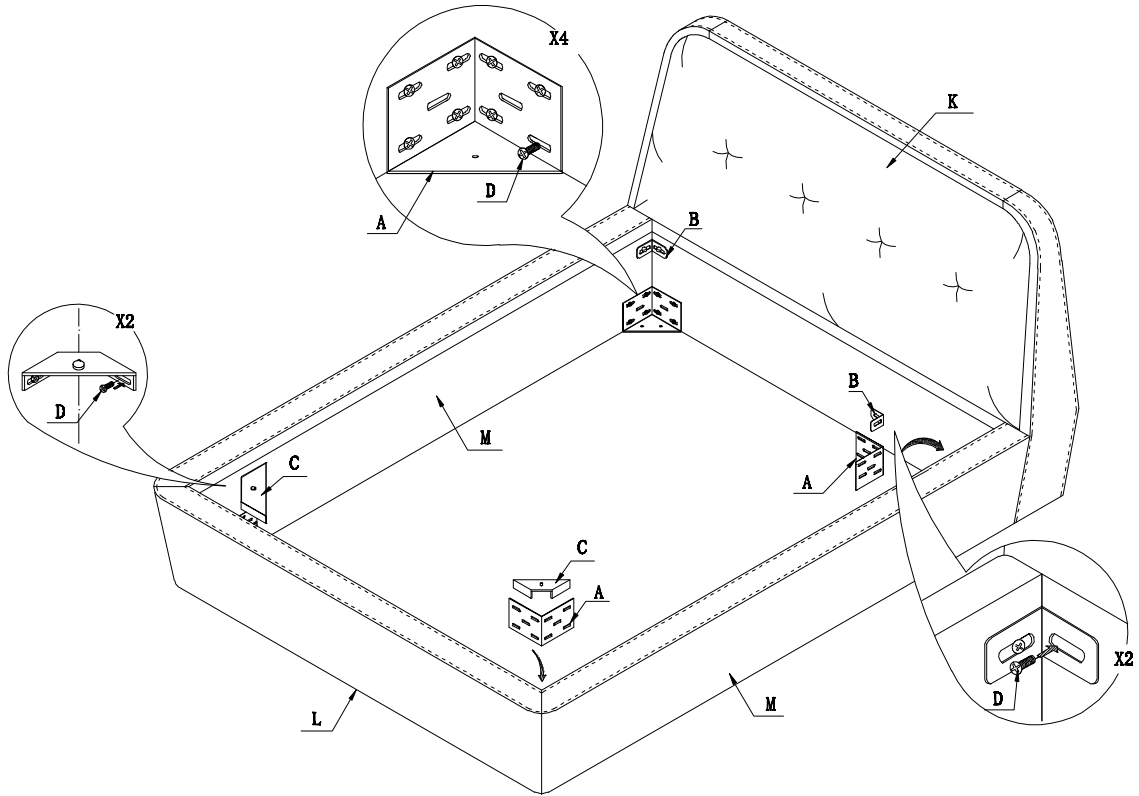
Q
X1



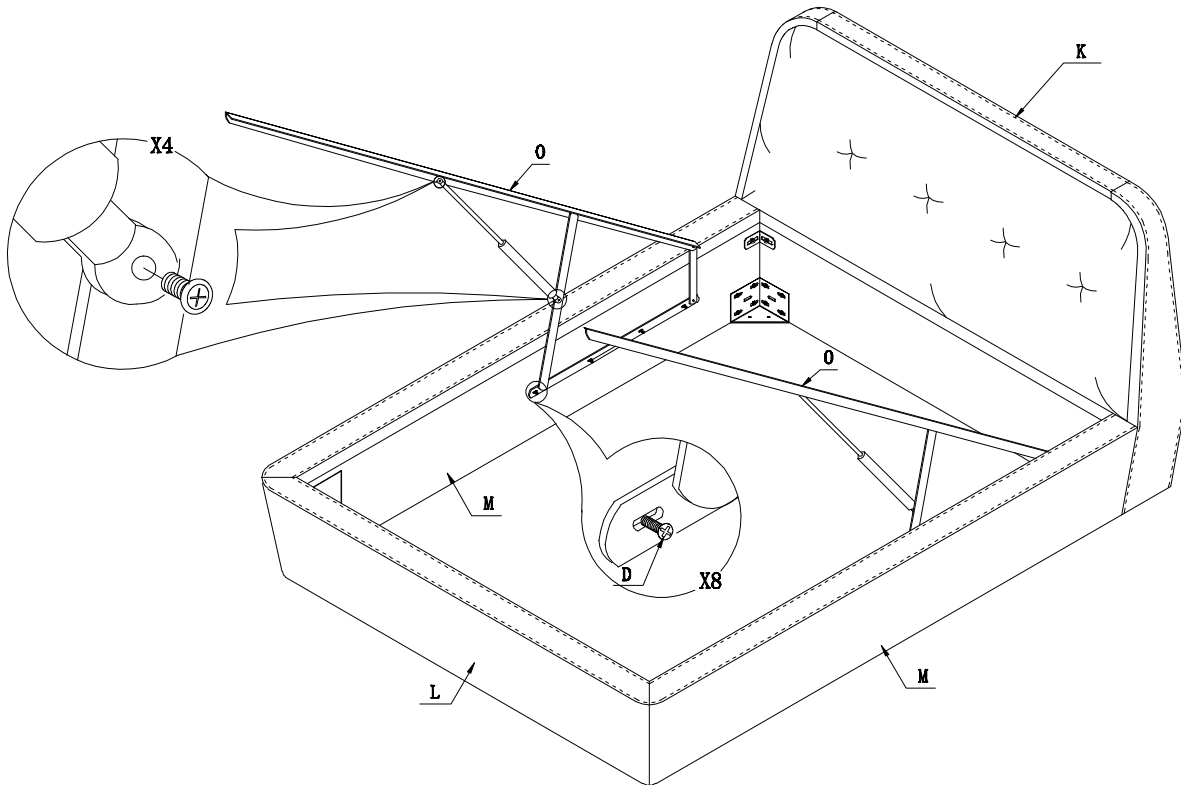
R
X1

B-818 (1350X1900)

1



2



B-818 (1350X1900)

3

