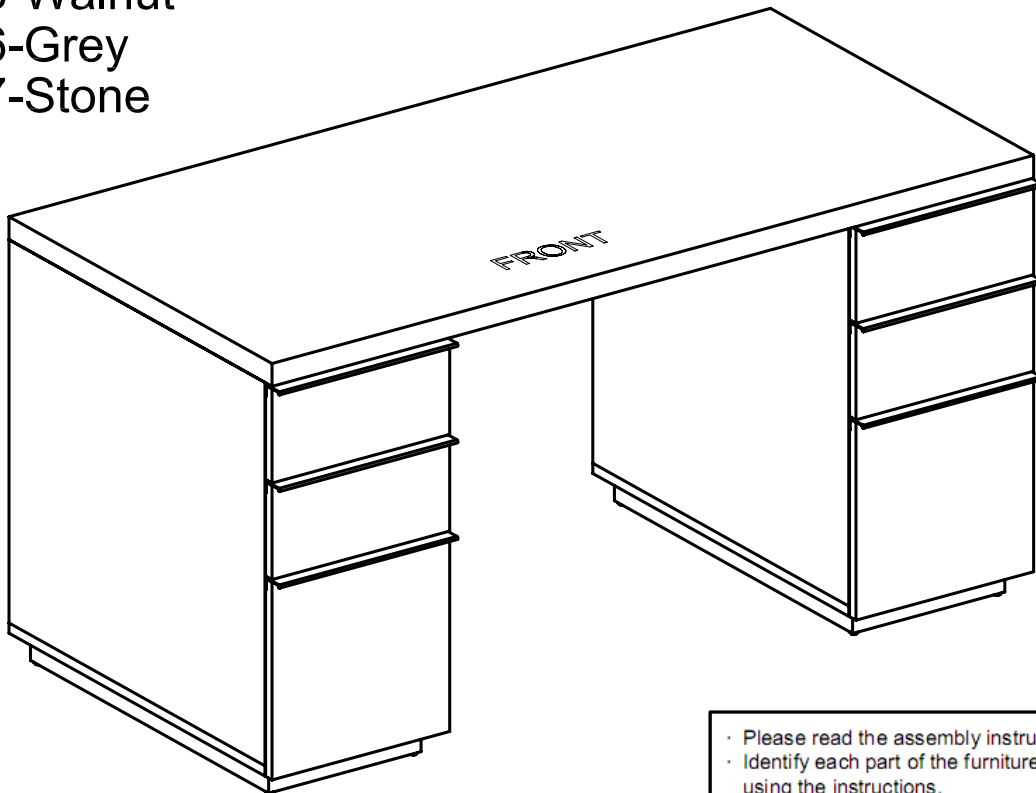


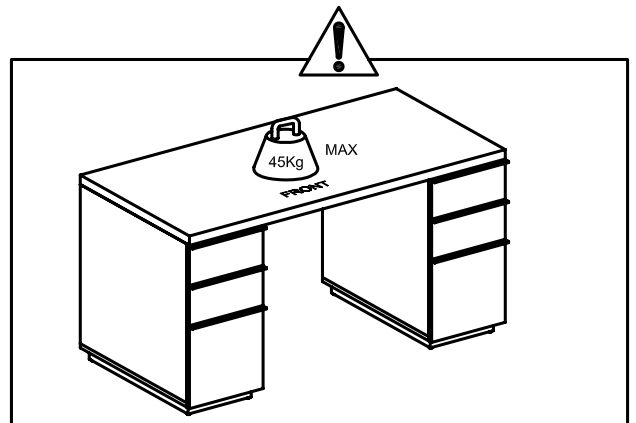
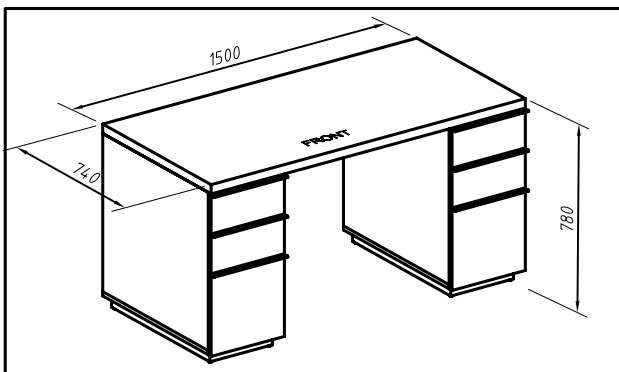
dwell

Madison Office Desk

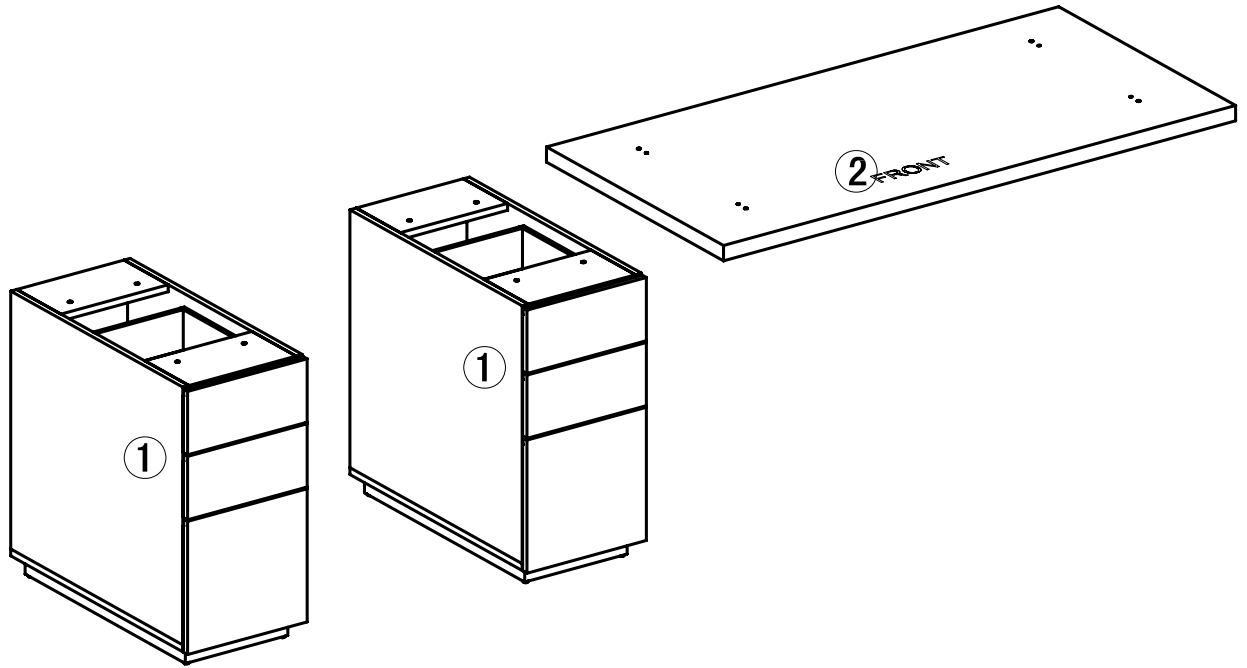
109356-Black
109357-White
109358-Walnut
109686-Grey
112397-Stone



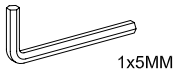
- Please read the assembly instructions carefully.
- Identify each part of the furniture before assembly using the instructions.
- Check all pieces are present and correct.
- Ensure you have all of the correct tools needed for assembly.
- Clear a suitable place to work.
- Never force the fittings together.
- Do not fully tighten any screws until all pieces of the main structure are in place.
- Keep these instructions for future assembly.



COMPONENTS



TOOLS INCLUDED



TOOLS NOT INCLUDED



HARDWARE



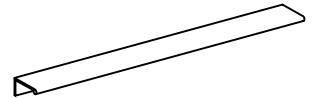
Ax18 pcs
(M4*14)



Bx8 pcs
(Ø8)

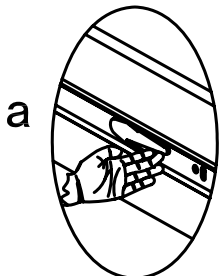


Cx8 pcs
(M8*35)

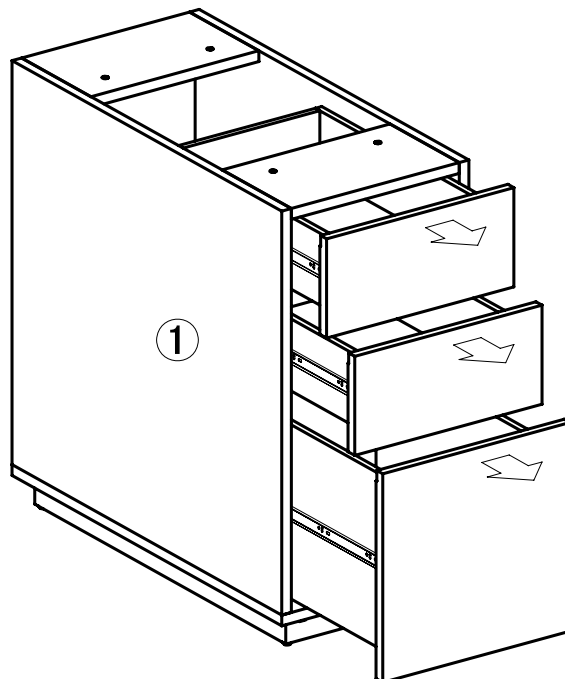


Dx6 pcs
(41*20*348)

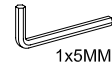
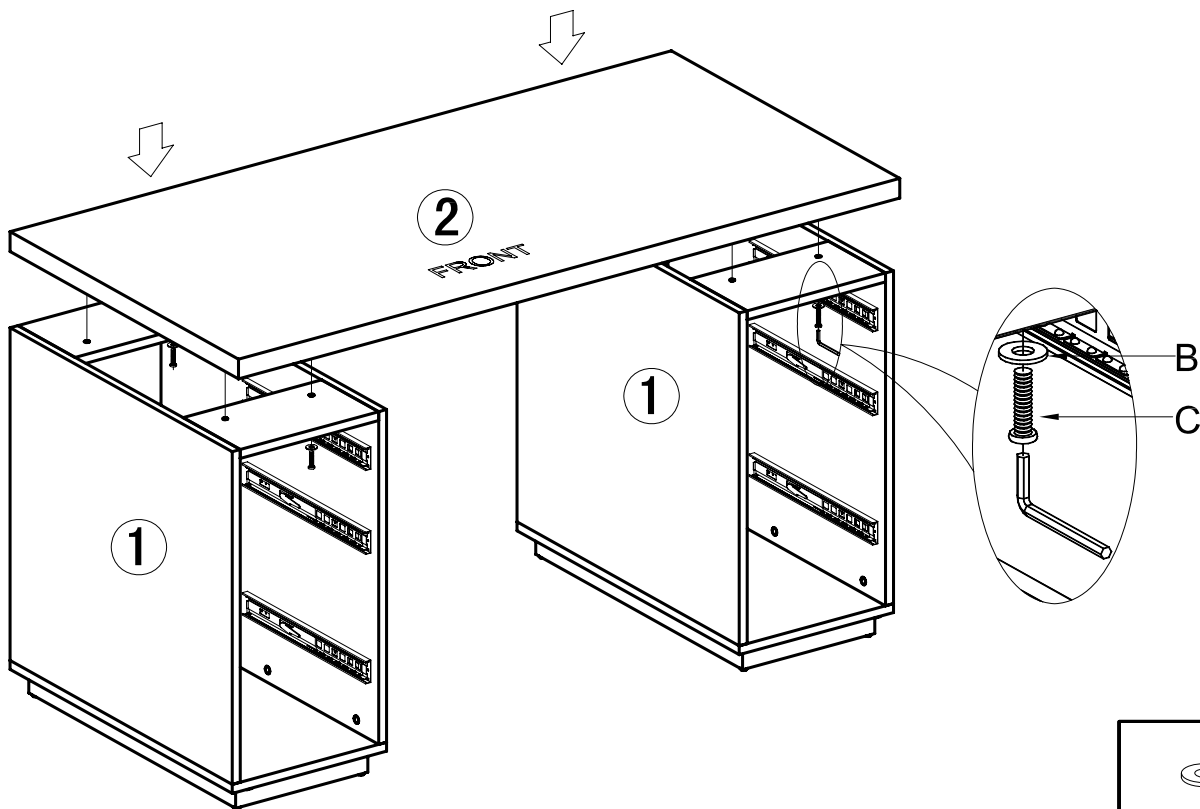
1



NOTE: Before attaching the desk top remove the top drawer of the cabinet .To do this release the locks within the drawer runners as shown in picture a.



2 ▷



1x5MM

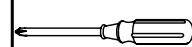
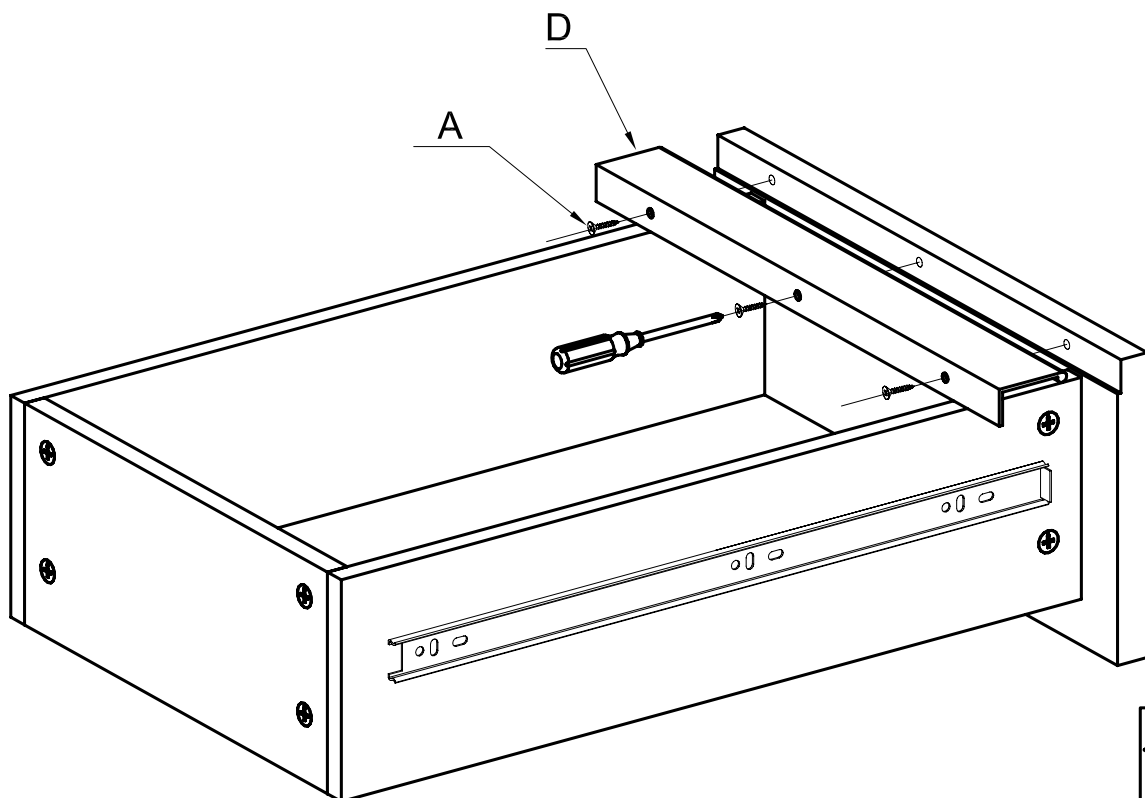


Bx8 pcs
(Ø8)



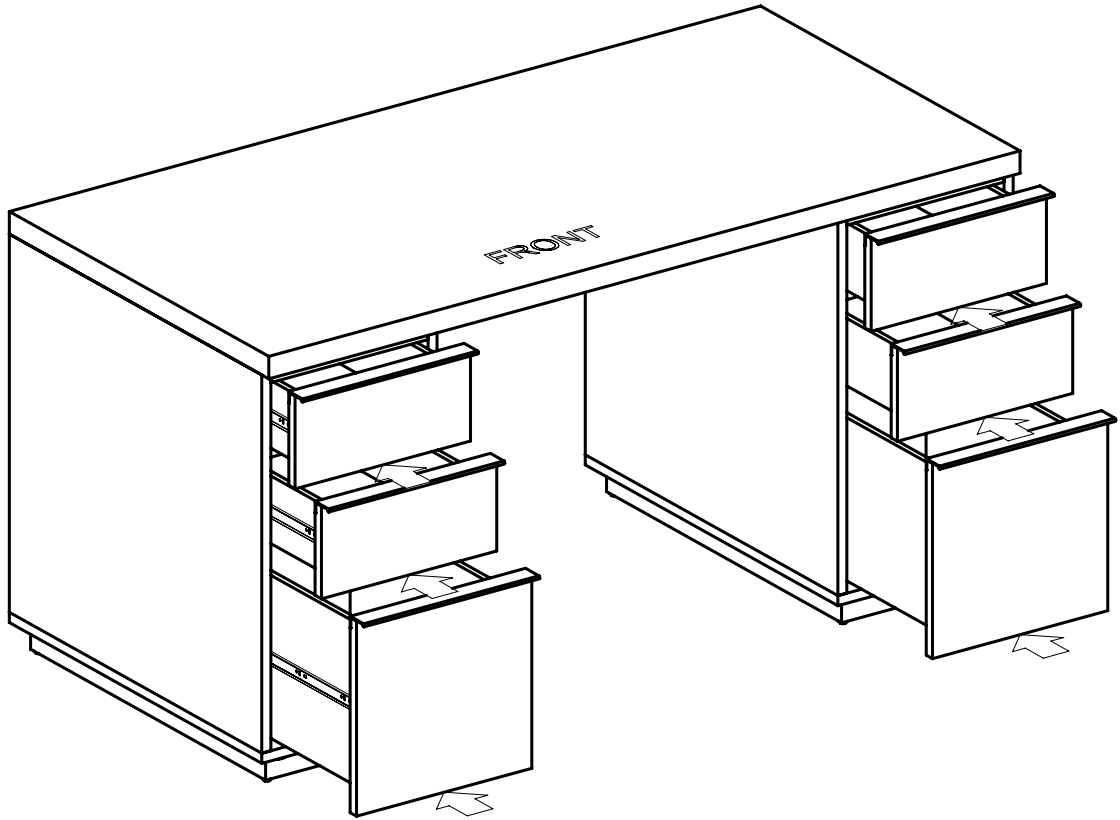
Cx8 pcs
(M8*35)

3 ▷



Ax18 pcs
(M4*14)

4 ▷



5 ▷

