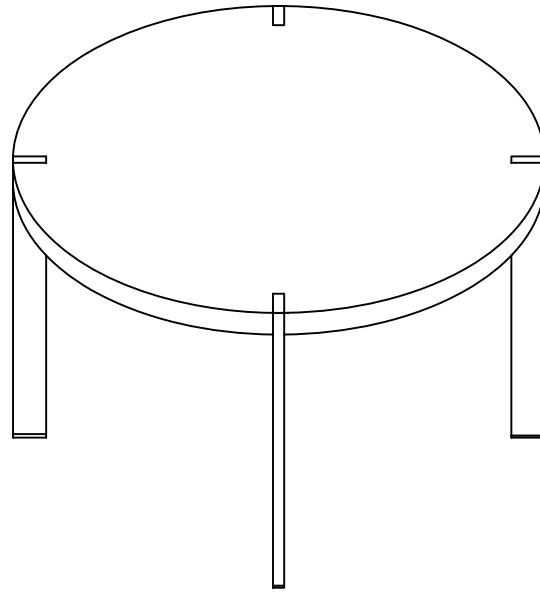


dwell

Rotunda Dining Table

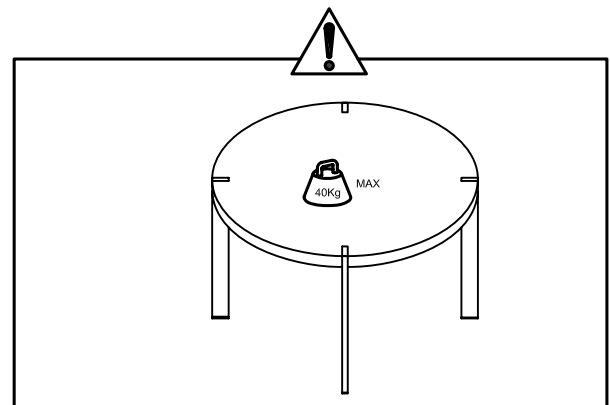
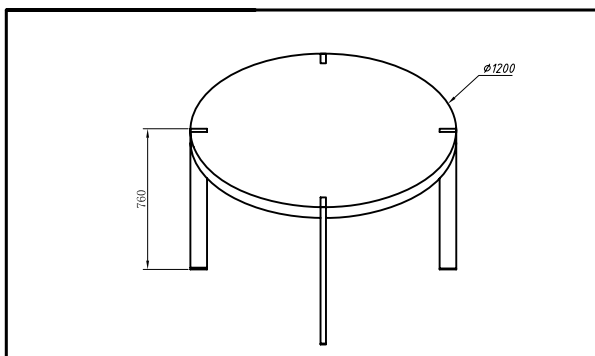
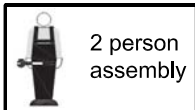
112250-high gloss white

112251-high gloss black

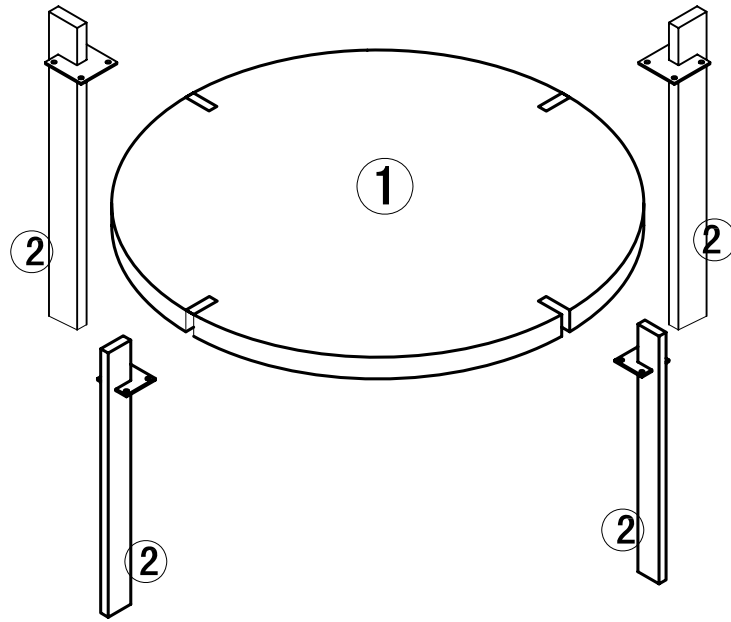


PLEASE READ

Please read the assembly instructions carefully.
We can not accept return on any part or fully assembled products.
Identify each part of the furniture before assembly using the instructions.
Check all pieces are present and correct.
Ensure you have all of the correct tools needed for assembly.
Clear a suitable place to work.
Never force the fittings together.
Do not fully tighten any screws until all pieces of the main structure are in place.
Keep these instructions for future assembly.



COMPONENTS



TOOLS INCLUDED



Ax1pcs
(5MM)

HARDWARE

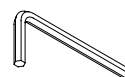
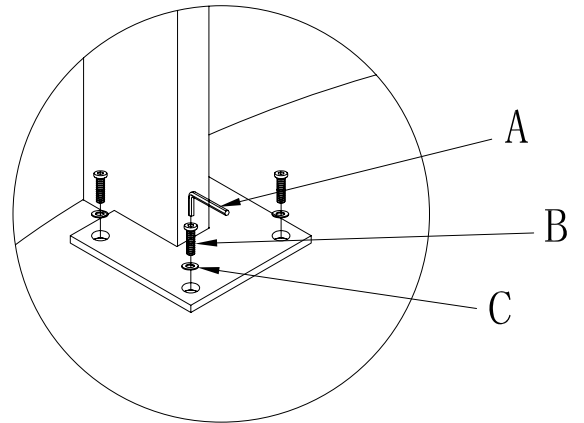
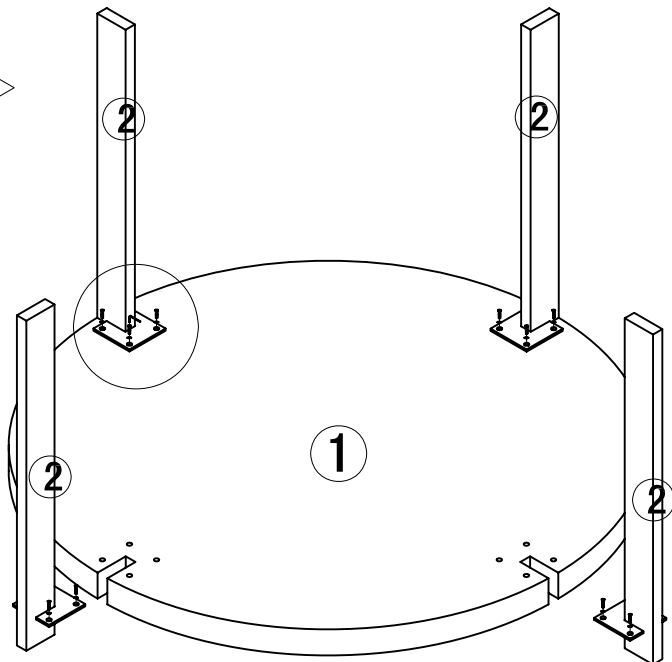


Bx16pcs
(M8X30)



Cx16pcs
($\phi 17 * \phi 8 * 1.5$)

1 ▷



Ax1pcs
M5



Bx16pcs
M8*30



Cx16pcs
 $\phi 17 * \phi 8 * 1.5$