

dwell

Malone sliding mirror door wardrobe large

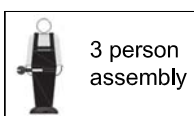
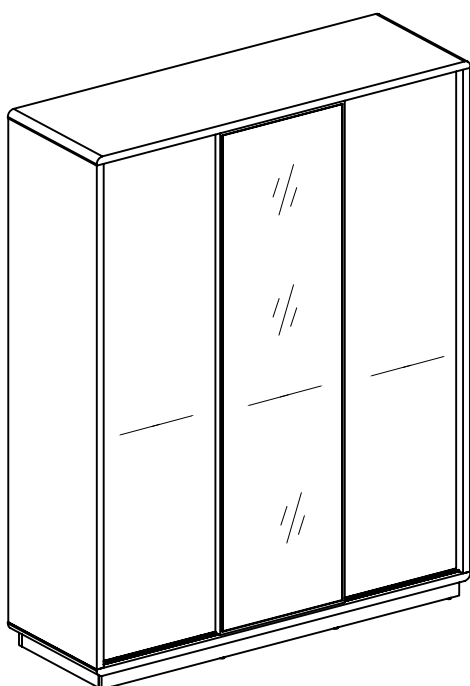
Please assembly the furniture in the room where it is to be situated as moving it around after it is assembled may cause unnecessary damage

111386-Black

111385-White

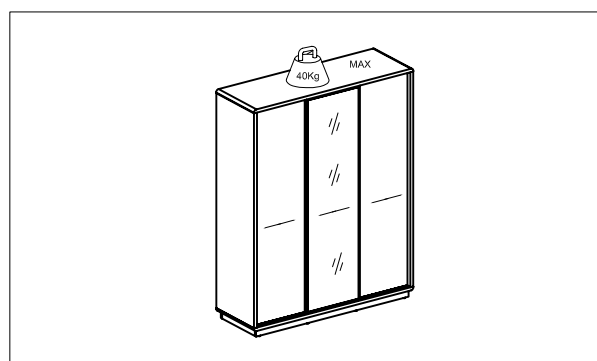
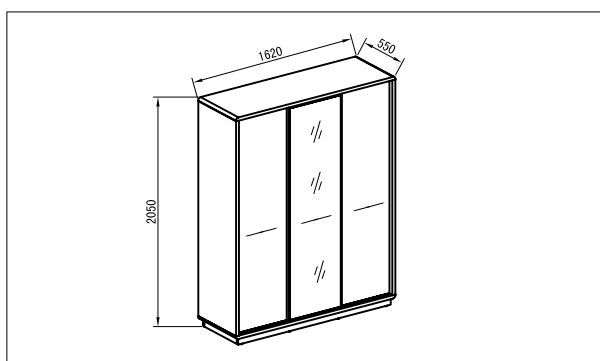
111248-stone

111387-walnut

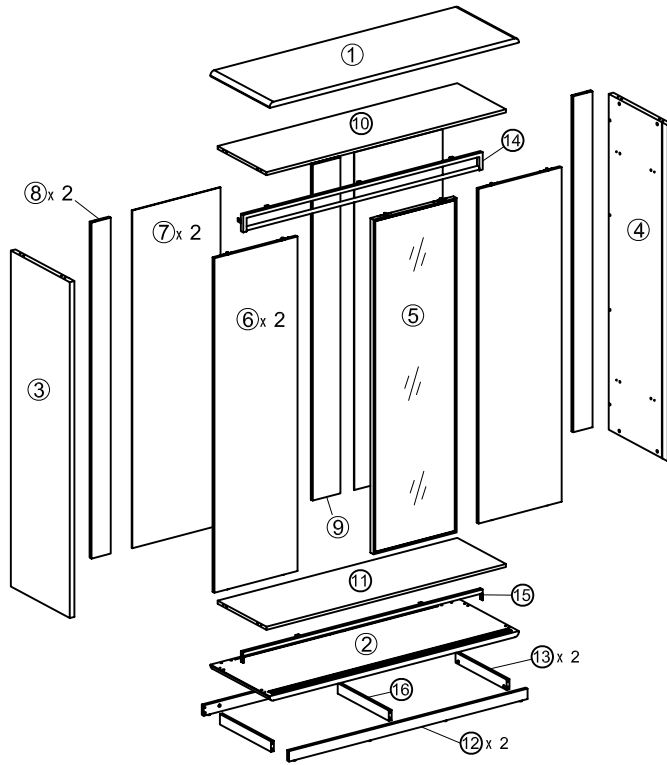


PLEASE READ

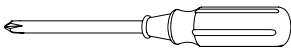
- Please read the assembly instructions carefully.
- We can not accept return on any part or fully assembled products.
- Identify each part of the furniture before assembly using the instructions.
- Check all pieces are present and correct.
- Ensure you have all of the correct tools needed for assembly.
- Clear a suitable place to work.
- Never force the fittings together.
- Do not fully tighten any screws until all pieces of the main structure are in place.
- Keep these instructions for future assembly.



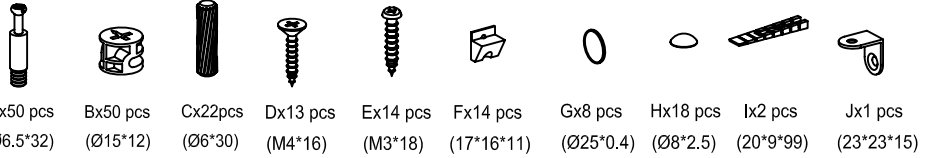
COMPONENTS



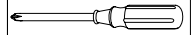
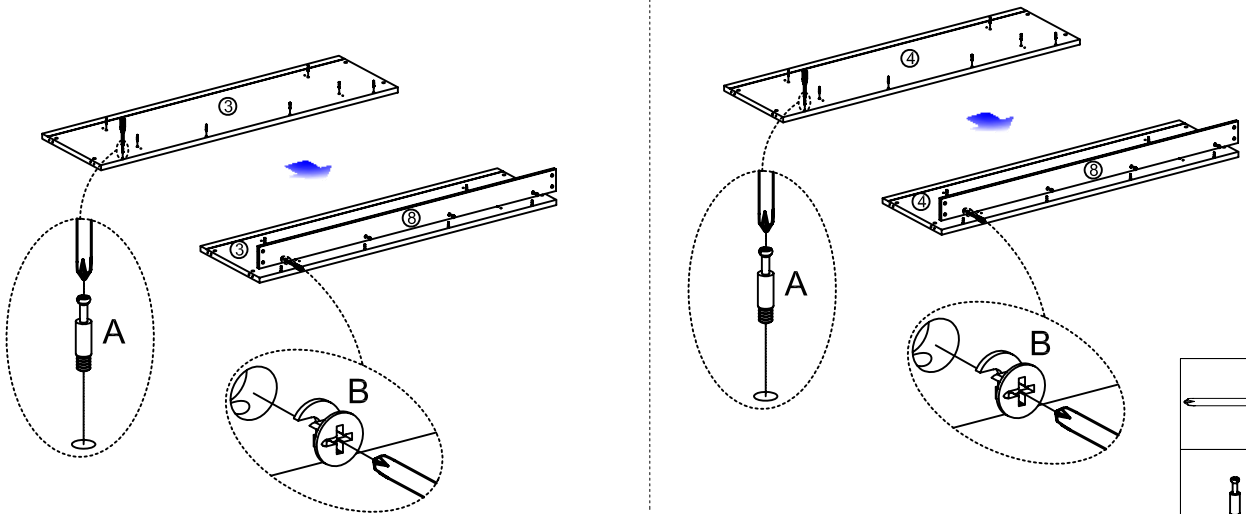
TOOLS NOT INCLUDED



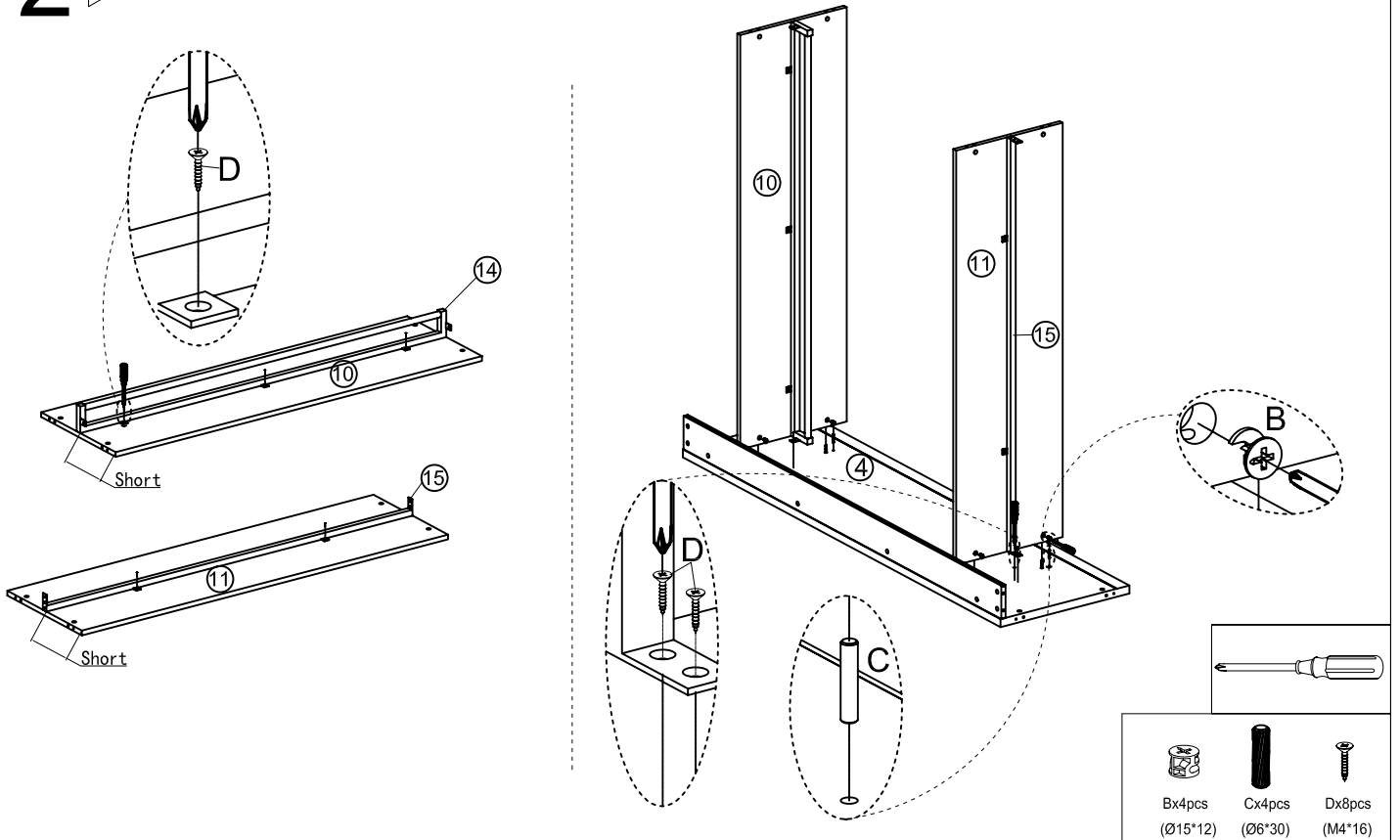
HARDWARE



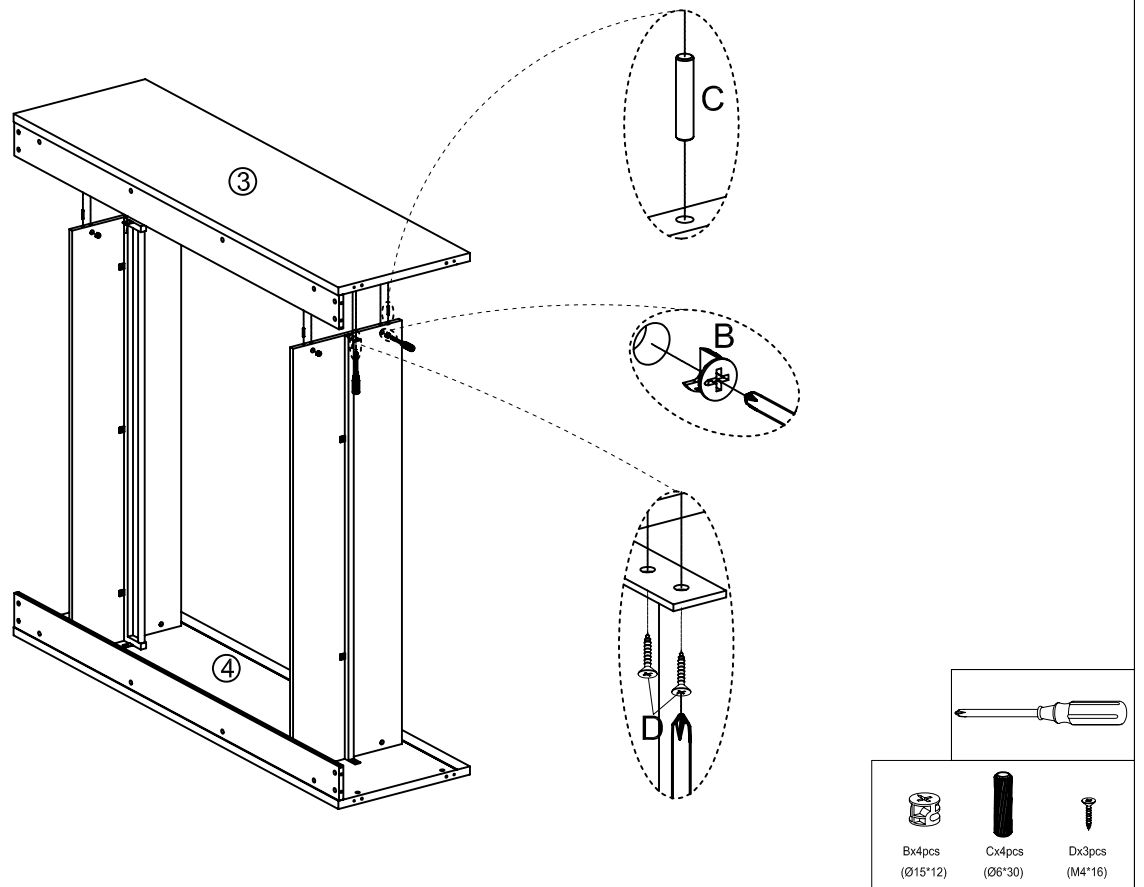
1 ▶



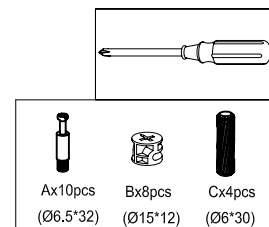
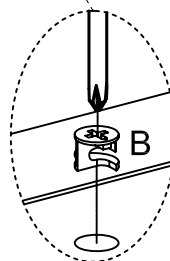
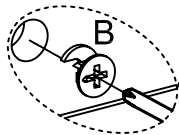
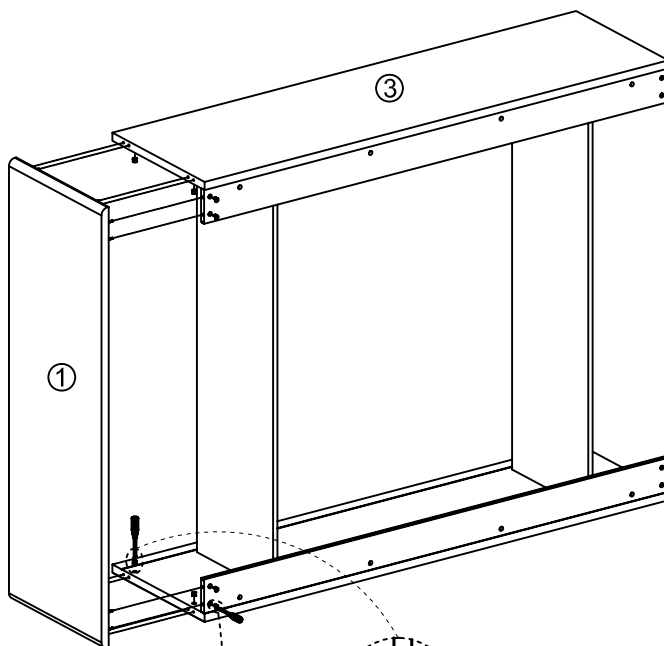
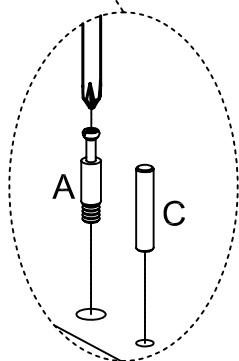
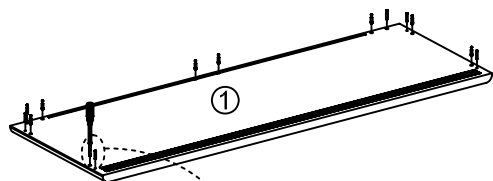
2



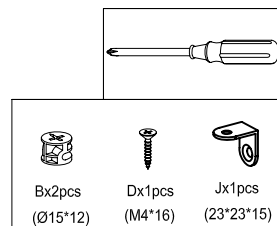
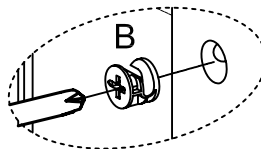
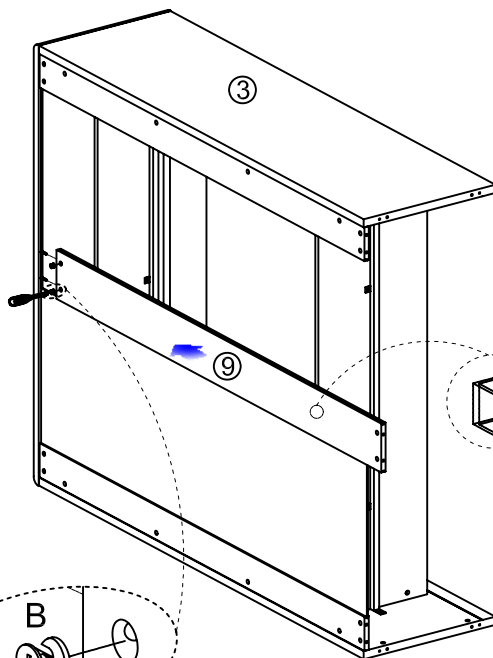
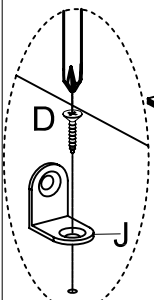
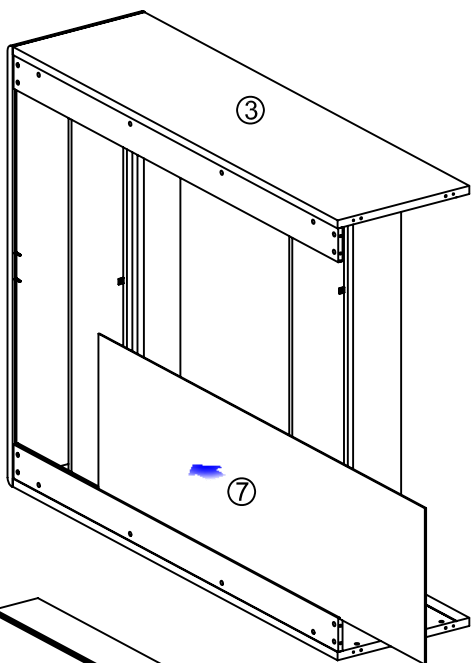
3



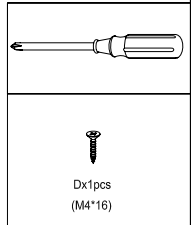
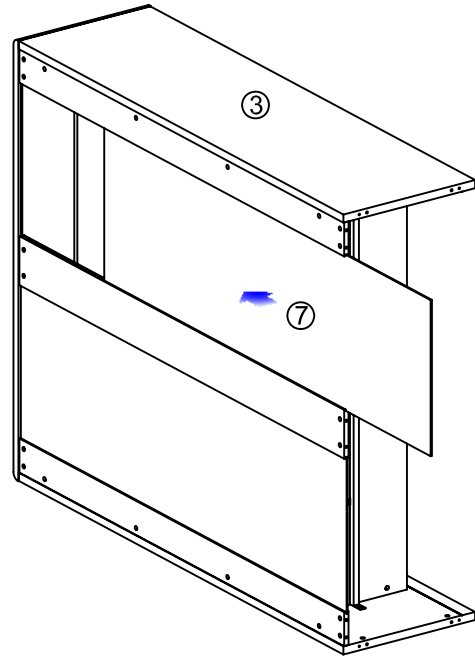
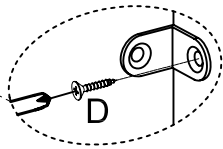
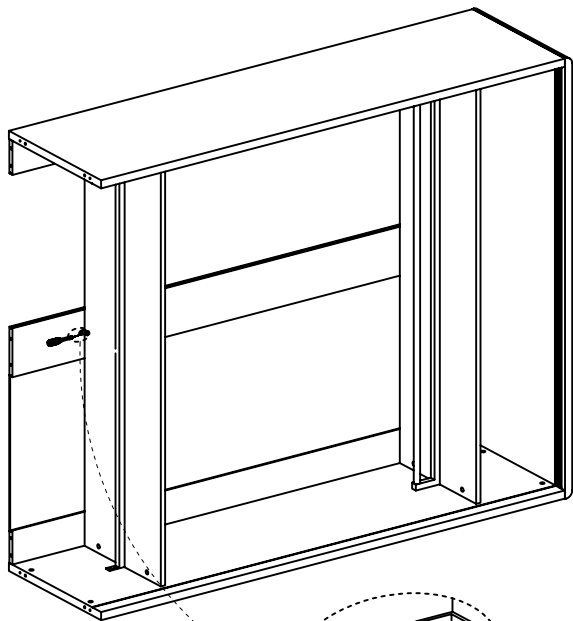
4



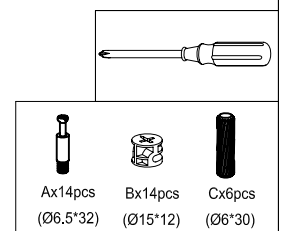
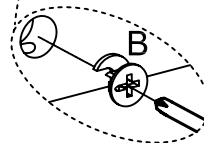
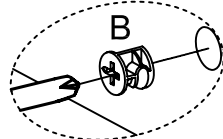
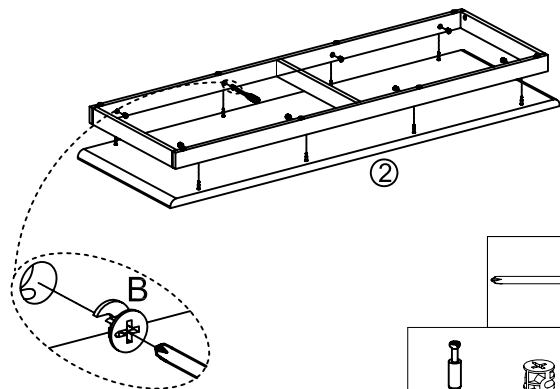
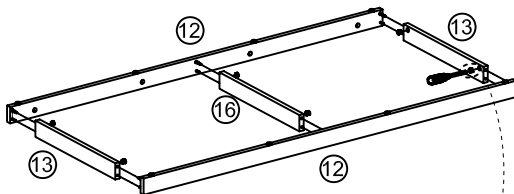
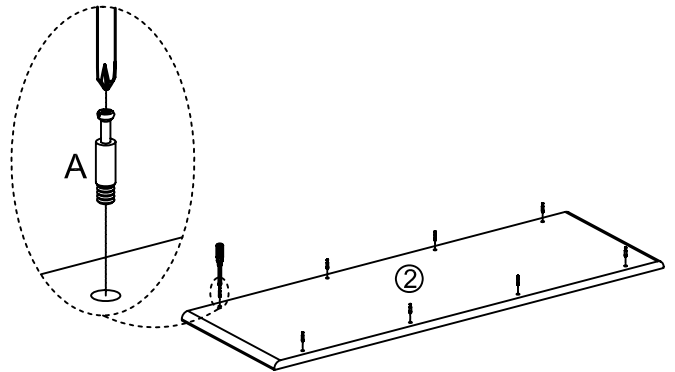
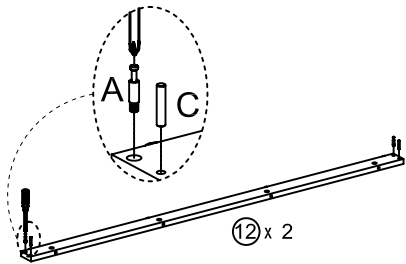
5



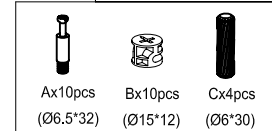
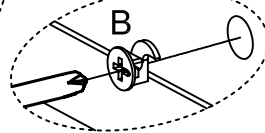
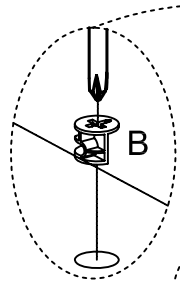
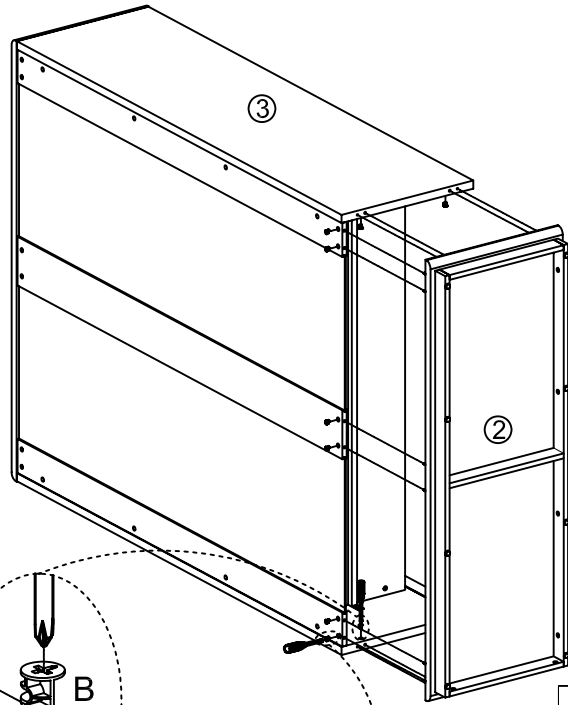
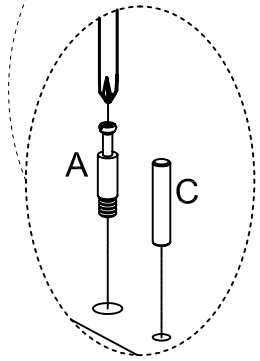
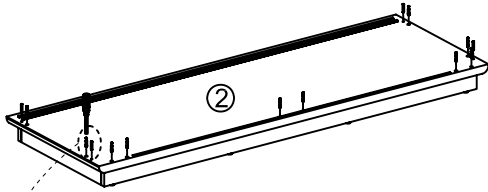
6 ▶



7 ▶



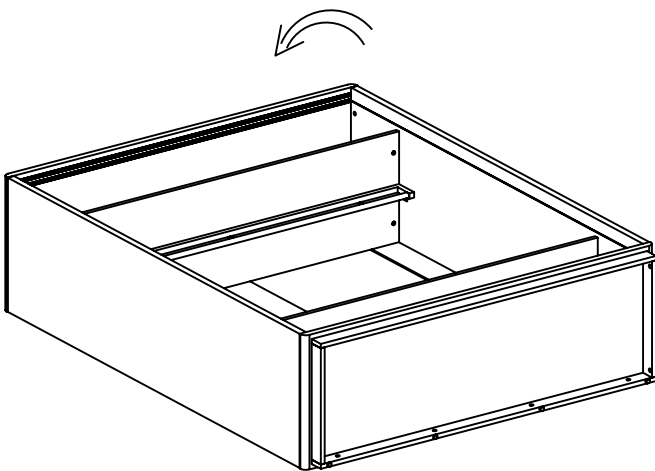
8



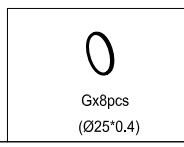
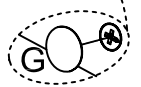
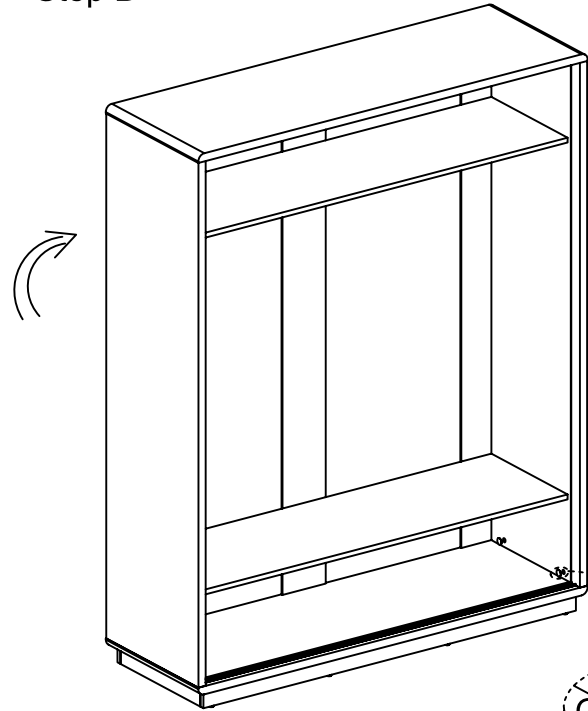
9

Note: Please turn the wardrobe upright from A to B. Please ADD A FOAM MAT under the bottom edge of wardrobe that can touch the ground during the turning. Avoid the wardrobe edge to touch the ground.

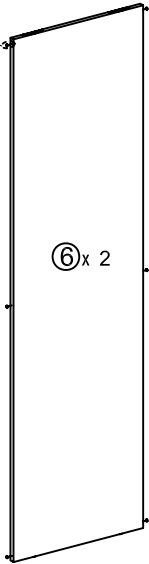
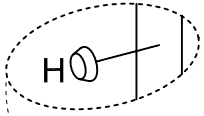
Step A



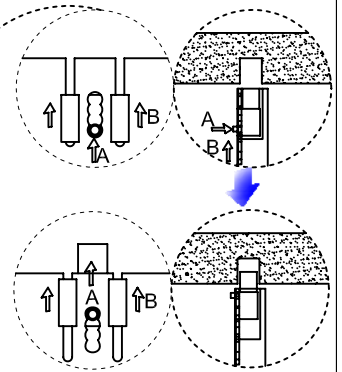
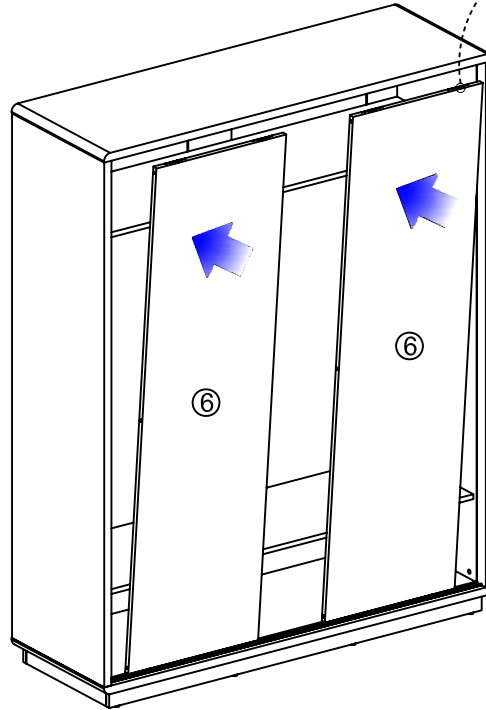
Step B



10

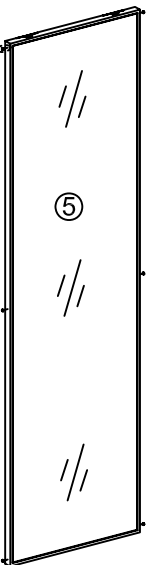
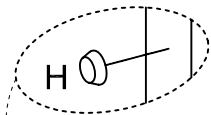


Press down Button A
then put up A&B together

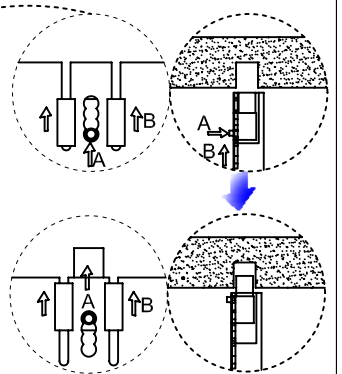
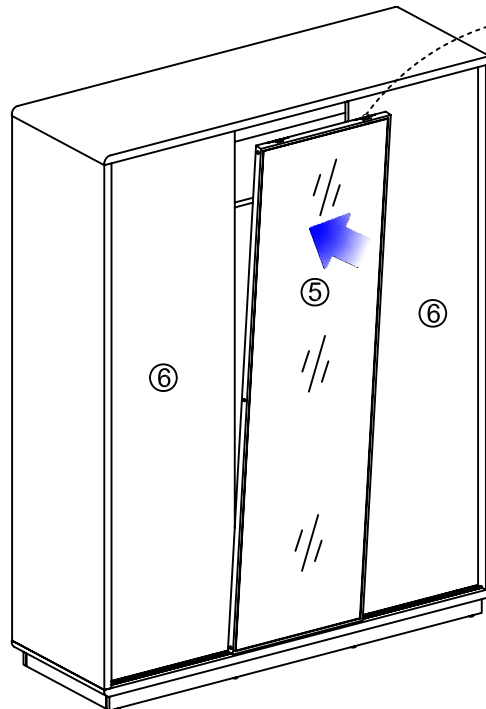


Hx12pcs
(Ø8*2.5)

11

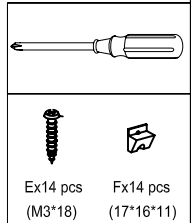
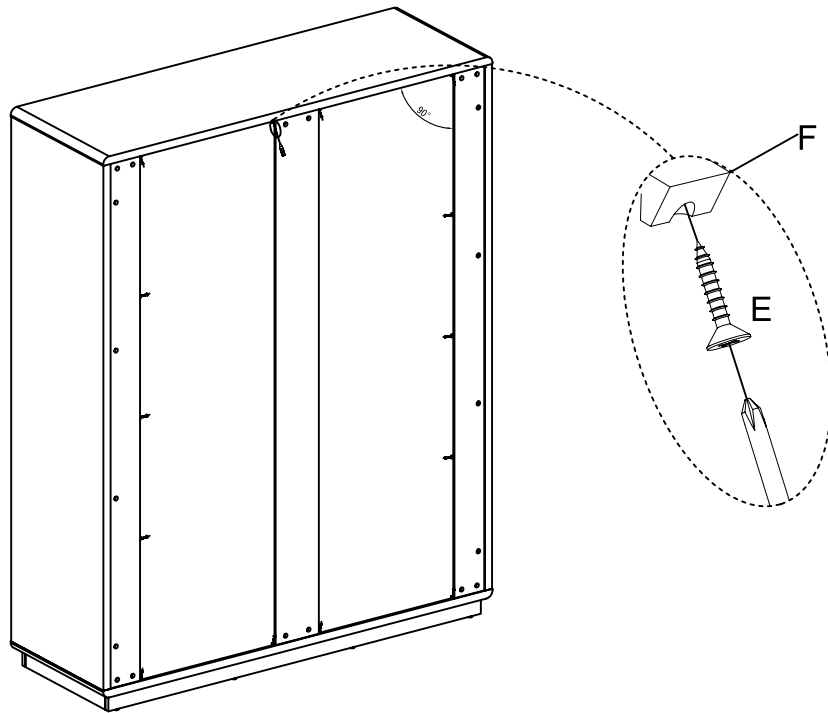


Press down Button A
then put up A&B together



Hx6 pcs
(Ø8*2.5)

12 ▶



13 ▶

Please use the level wedge to adjust the wardrobe as the drawing if the door panel gap is not even.

