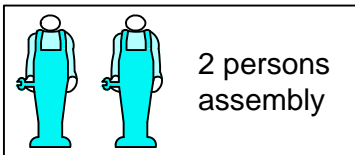
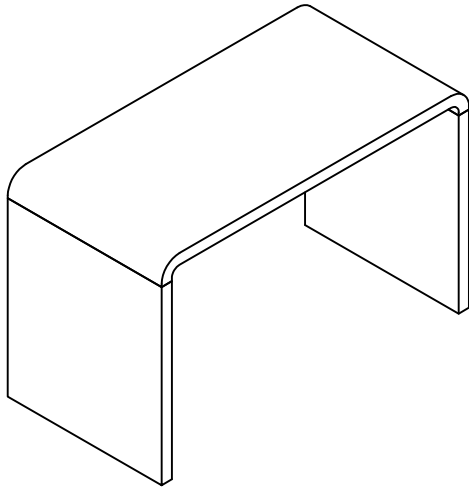


# dwell

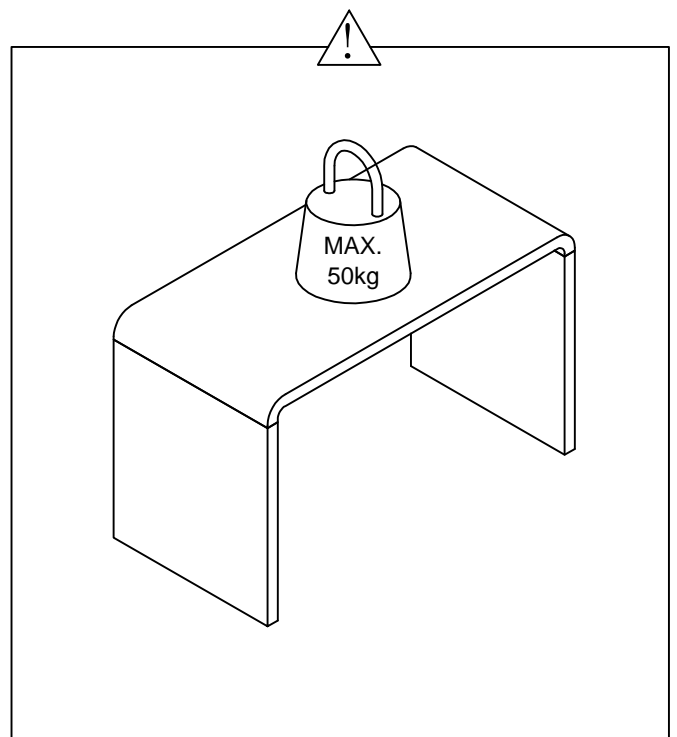
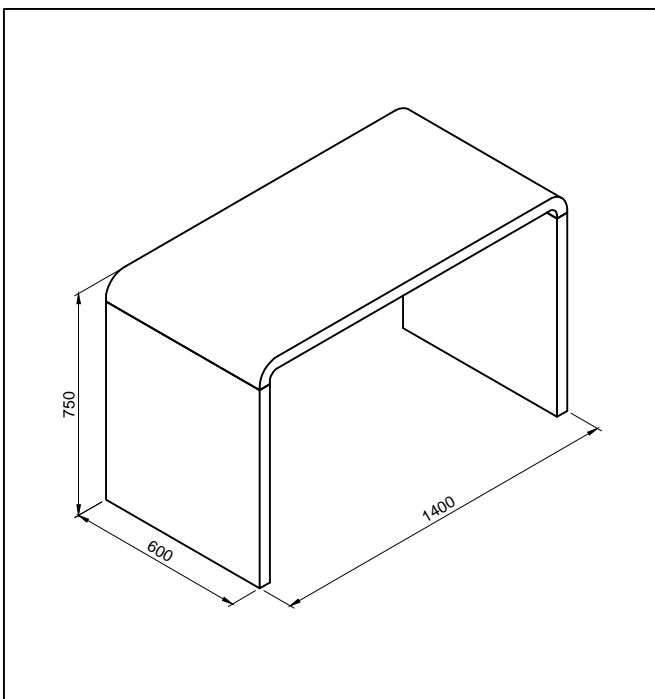
## Gloss Desk

109293 - Black Gloss  
104972 - White Gloss  
110820 - Stone Gloss

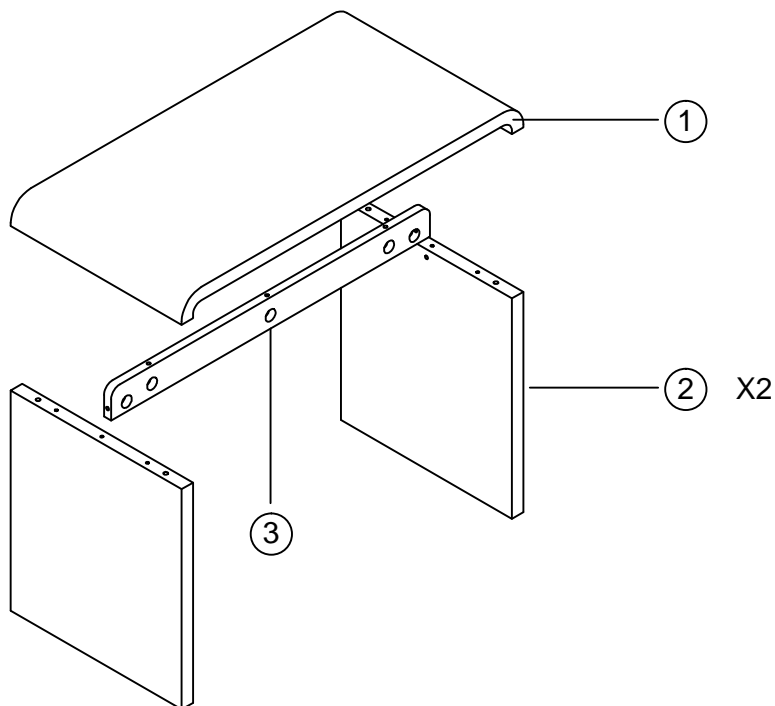


### PLEASE READ

- Please read the assembly Instructions carefully.
- We cannot accept return on any part or fully assembled products.
- Identify each part of the furniture before assembly using the instructions.
- Check all pieces are present and correct.
- Ensure you have all of the correct tools needed for assembly.
- Clear a suitable place to work.
- Never force the fittings together.
- Do not fully tighten any screws until all pieces of the main structure are in place.
- Keep these instructions for future assembly.



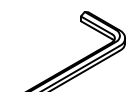
COMPONENTS



TOOLS NEEDED



M14



M8

HARDWARE



A x4  
M10\*680



B x5  
M8\*80



C x5  
30\*15\*14



D x5  
M8



E x5  
Ø38



F x8  
Ø7.8\*40

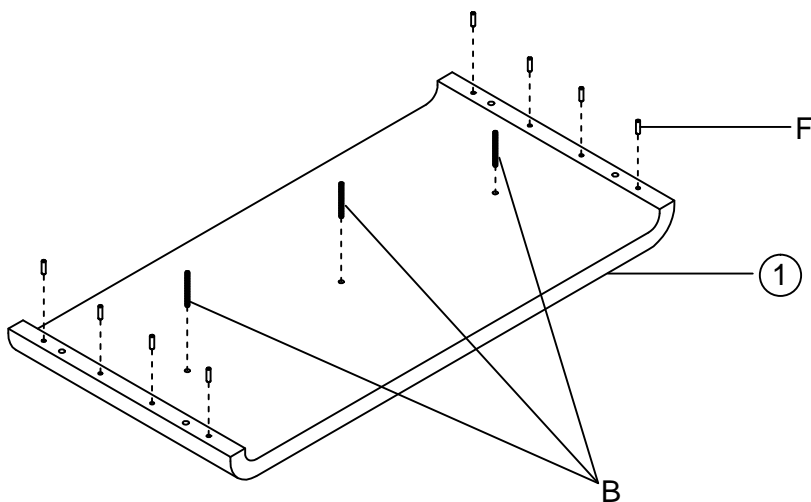


G x4  
Ø10\*22\*2



H x4  
Ø10\*16\*3

1 ▷



TOOLS NEEDED

HARDWARE

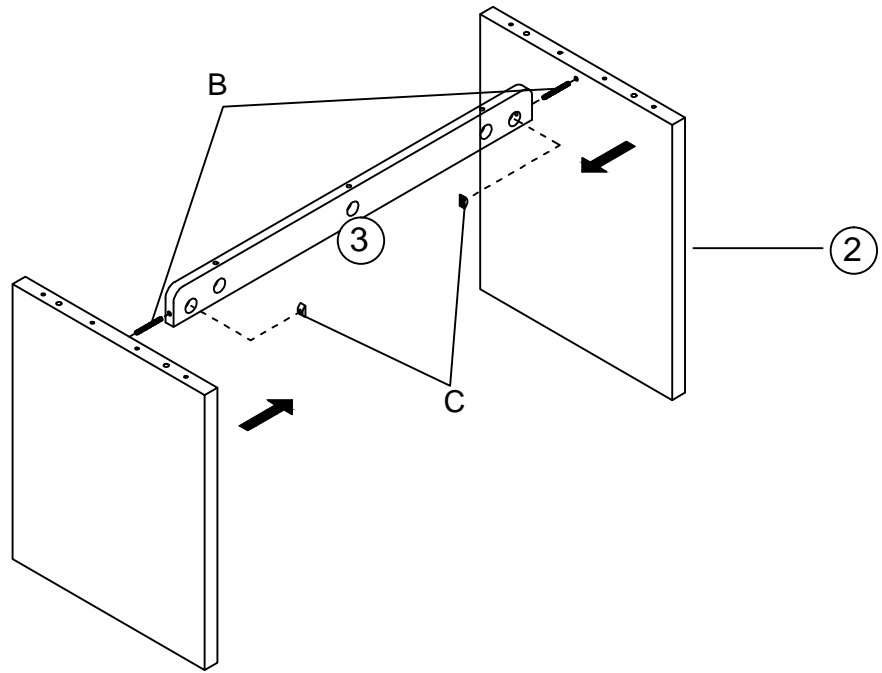


B x3  
M8\*80

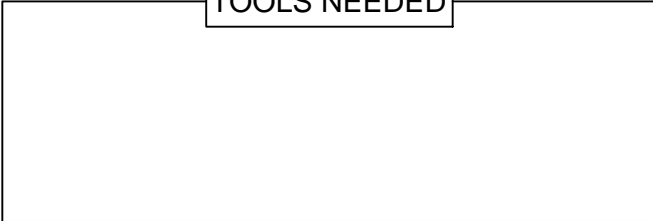


F x8  
Ø7.8\*40

# 2 ▷



TOOLS NEEDED



HARDWARE

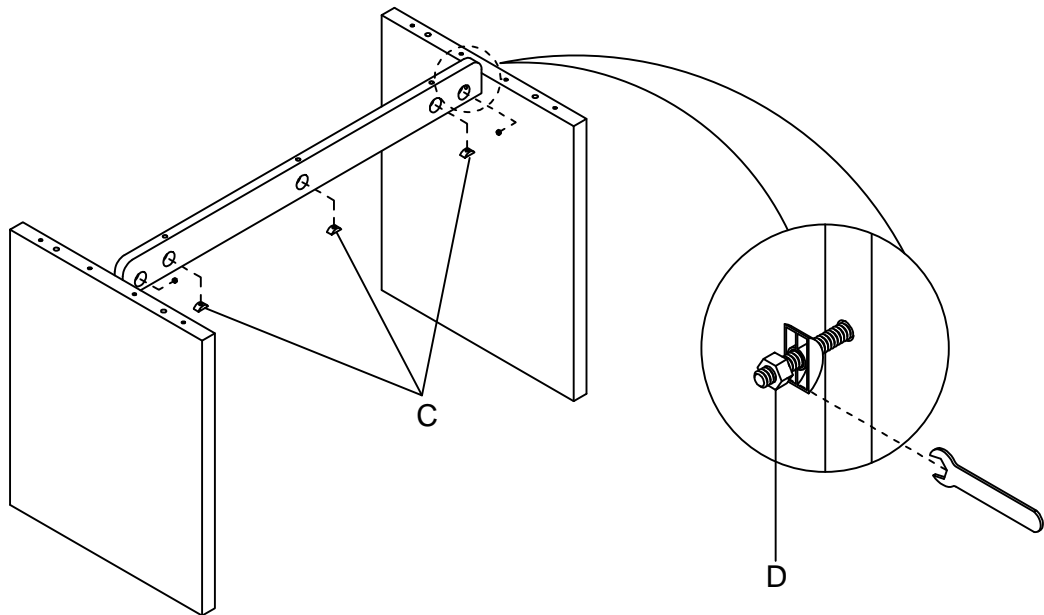


B x2  
M8\*80



C x2  
30\*15\*14

# 3 ▷



TOOLS NEEDED



HARDWARE



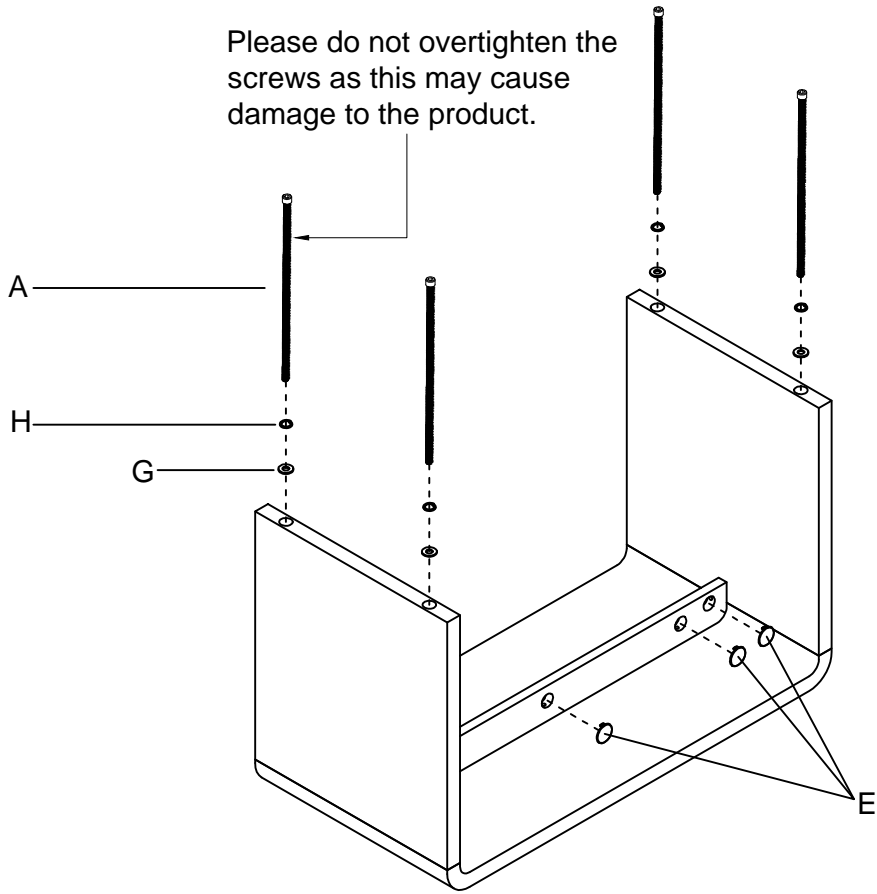
C x3  
30\*15\*14



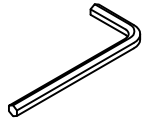
D x2  
M8

4 ▷

Please do not overtighten the screws as this may cause damage to the product.



TOOLS NEEDED



HARDWARE

			
A x4 M10*680	E x5 Ø38	G x4 Ø10*22*2	H x4 Ø10*16*3

5 ▷

