

dwell

Notch wardrobe

Please assembly the furniture in the room where it is to be situated as moving it around after it is assembled may cause unnecessary damage

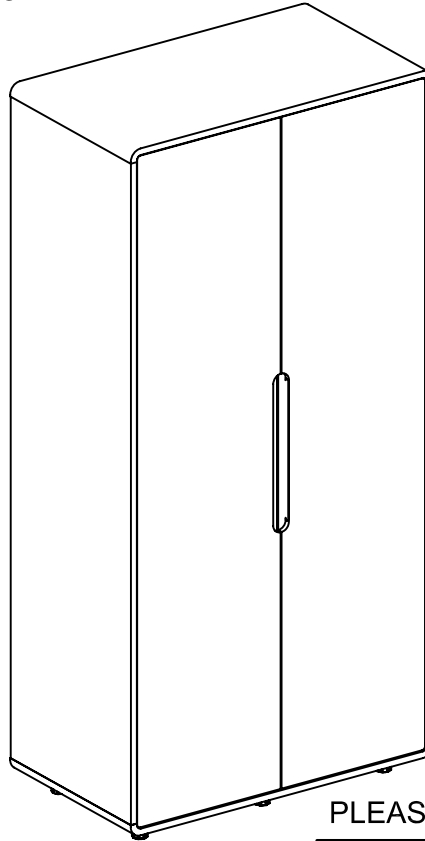
110808- walnut

110809-matt white

112315-matt stone

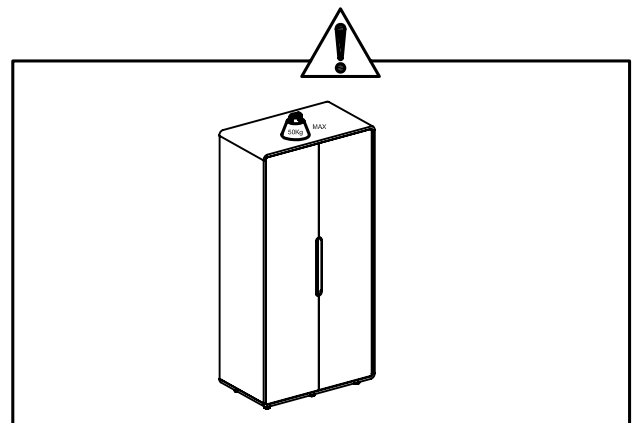
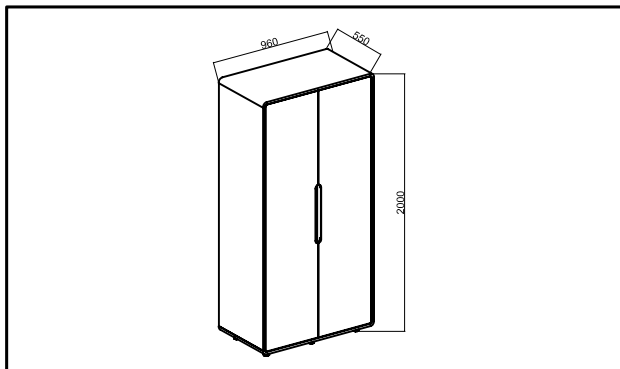
142872-High gloss white

142874-High gloss stone

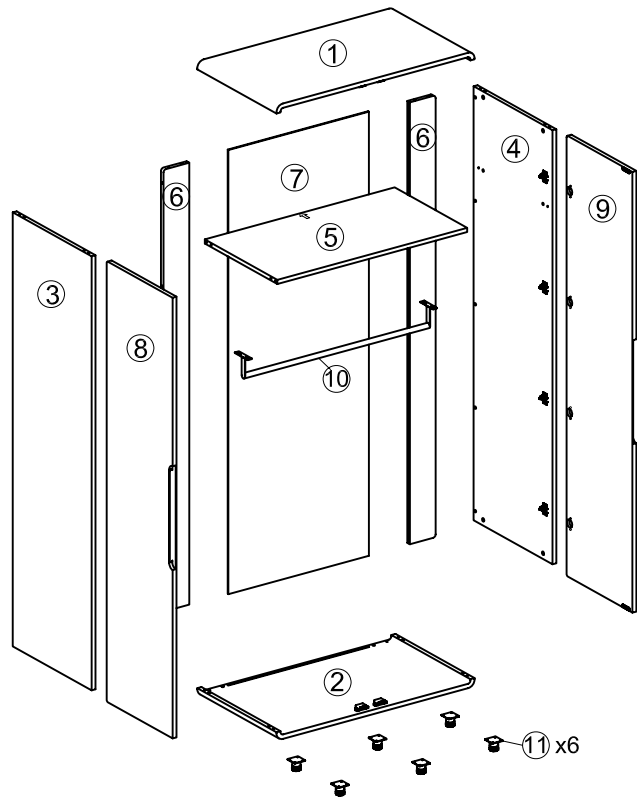


PLEASE READ

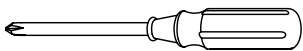
- Please read the assembly instructions carefully.
- We can not accept return on any part or fully assembled products.
- Identify each part of the furniture before assembly using the instructions.
- Check all pieces are present and correct.
- Ensure you have all of the correct tools needed for assembly.
- Clear a suitable place to work.
- Never force the fittings together.
- Do not fully tighten any screws until all pieces of the main structure are in place.
- Keep these instructions for future assembly.














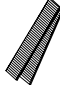

COMPONENTS



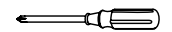
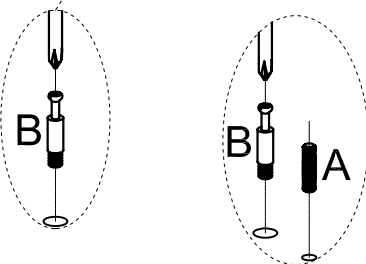
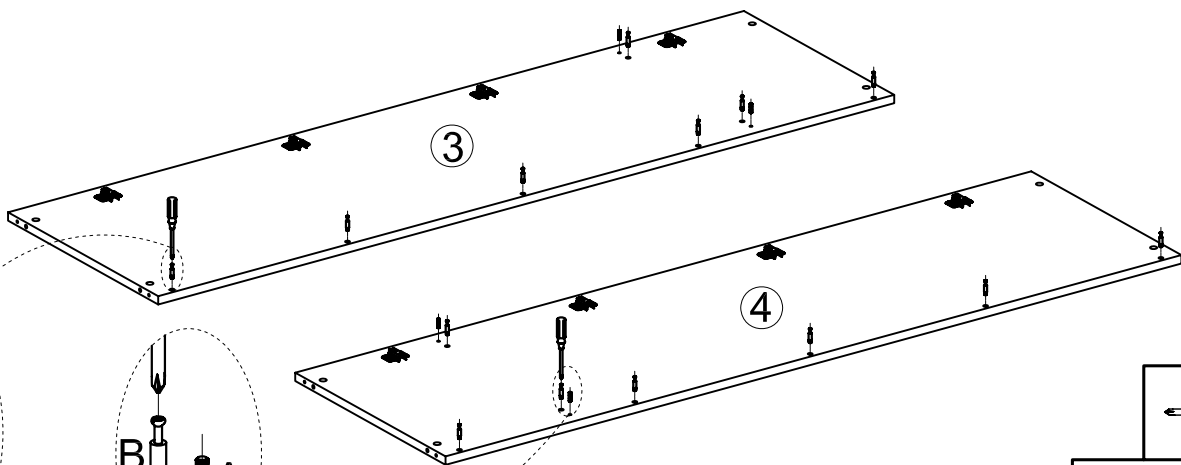
TOOLS NOT INCLUDED





HARDWARE

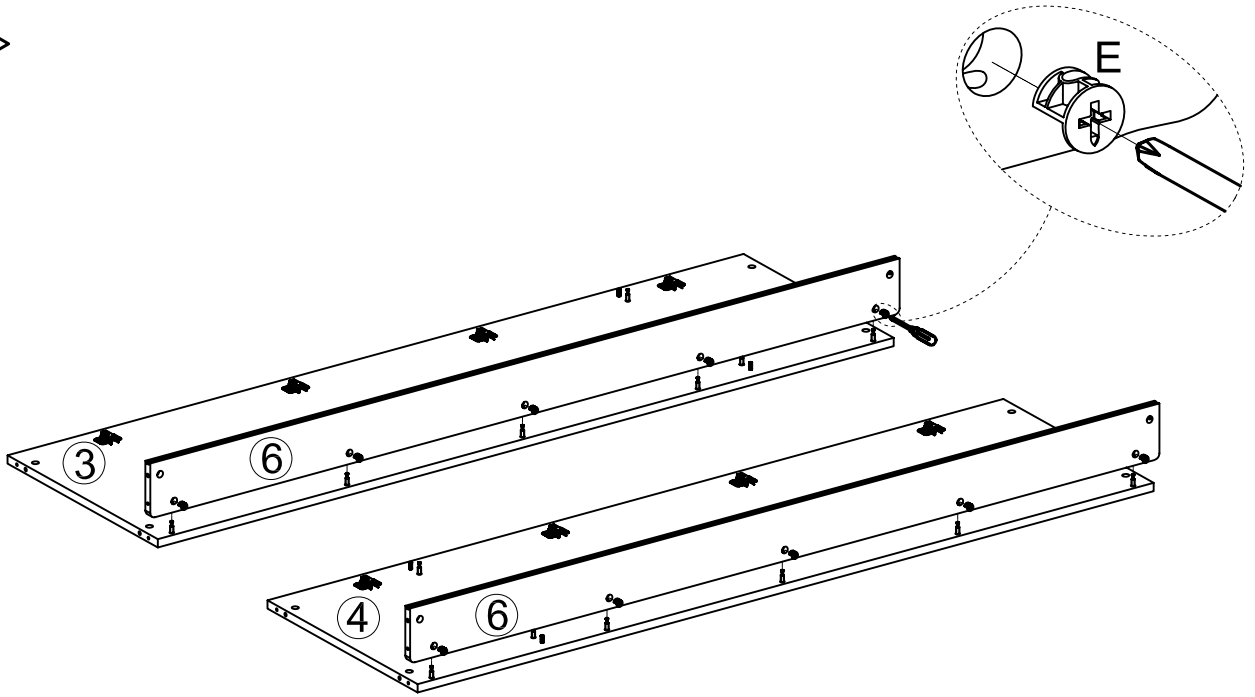
 Ax16 pcs ($\phi 6 \times 30$)	 Bx26 pcs ($\phi 6.5 \times 32$)	 Cx64 pcs (M4*14)	 Dx8 pcs ($\phi 25 \times 0.4$)	 Ex26 pcs ($\phi 15 \times 12$)	 Fx8 pcs (M3*18)	 Gx8 pcs (17*16*11)
 Hx2 pcs (M4*25)	 Ix2 pcs (M4*16)	 Jx4 pcs ($\phi 12 \times \phi 4 \times 1.5$)	 Kx2 pcs ($\phi 6 \times 25$)	 Lx2 pcs (20*1.5*200)	 Mx8 pcs (105*63*38)	

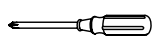

1 



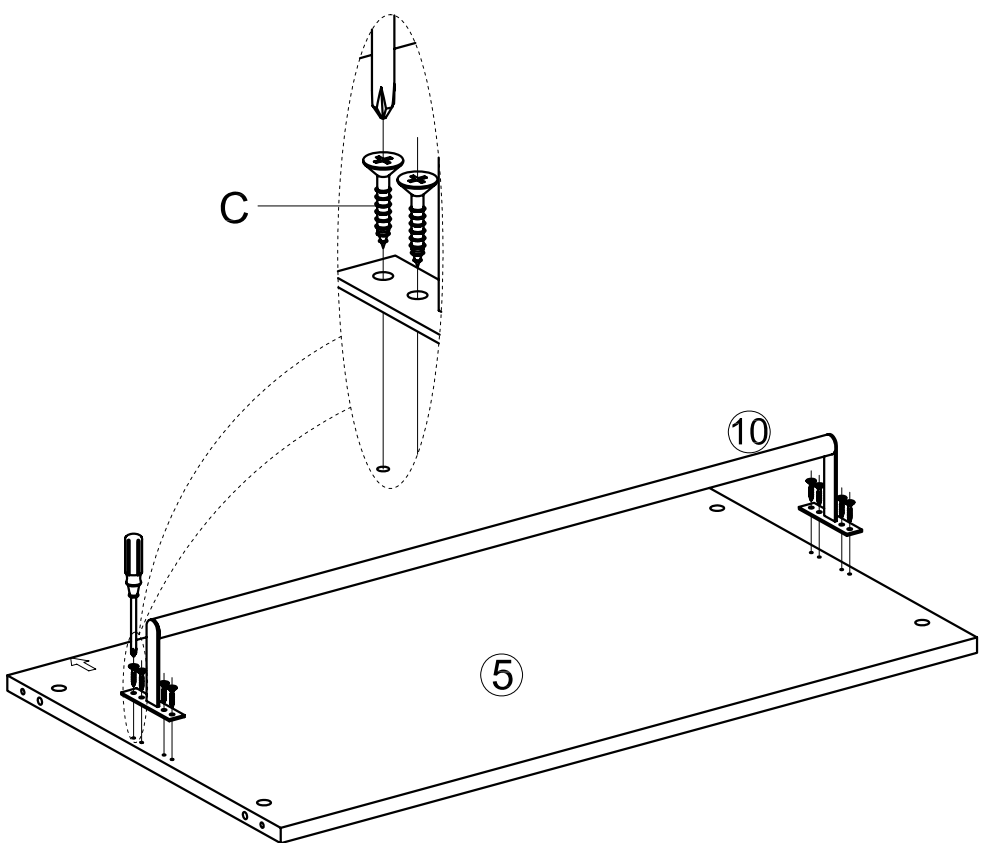
 Ax4 pcs ($\phi 6 \times 30$)	 Bx14 pcs ($\phi 6.5 \times 32$)
--	---

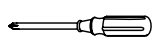

2 ▷



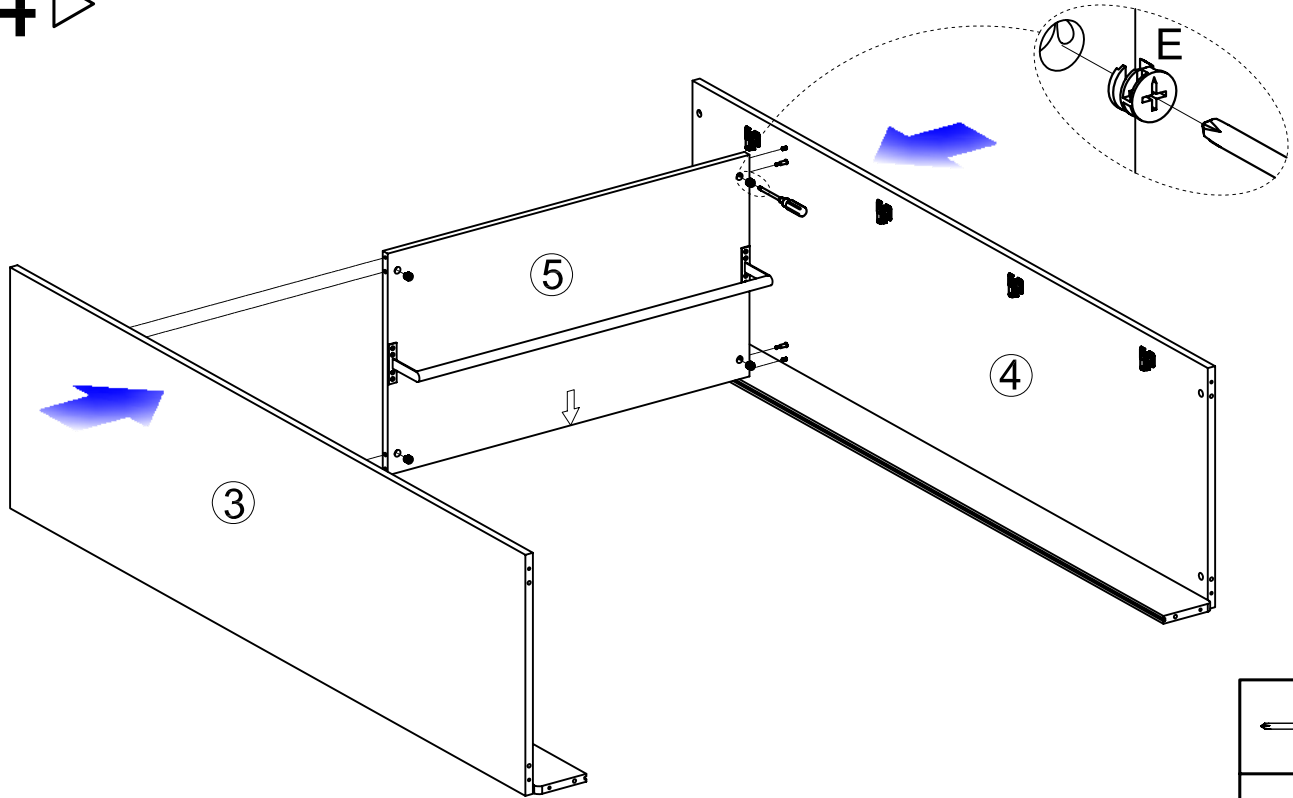

 Ex10 pcs ($\phi 15 \times 12$)

3 ▷



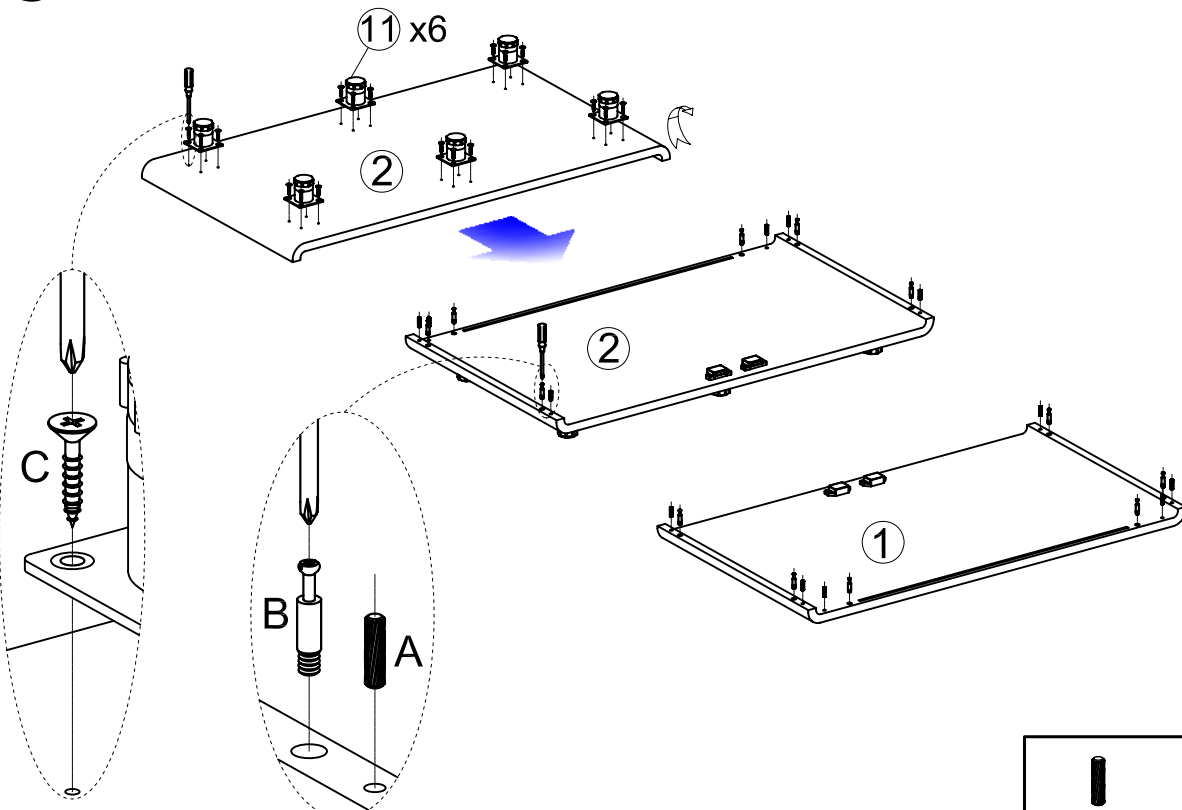

 Cx8 pcs (M4*14)

4



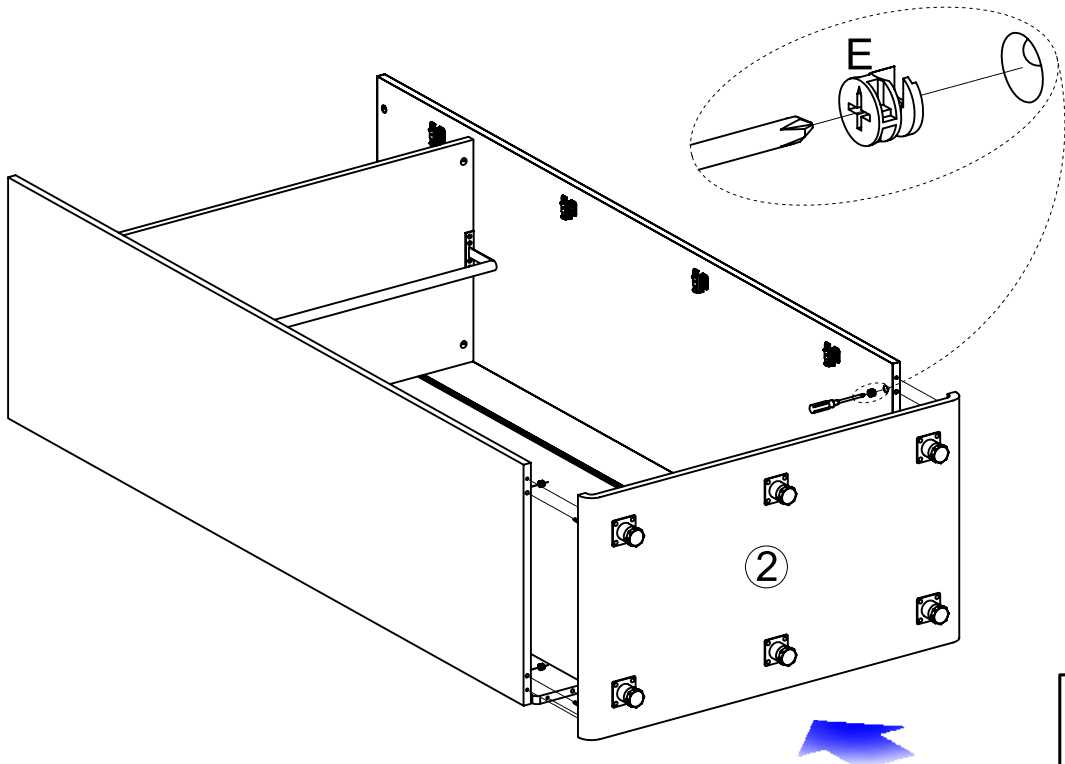
Ex4 pcs
($\phi 15 \times 12$)

5

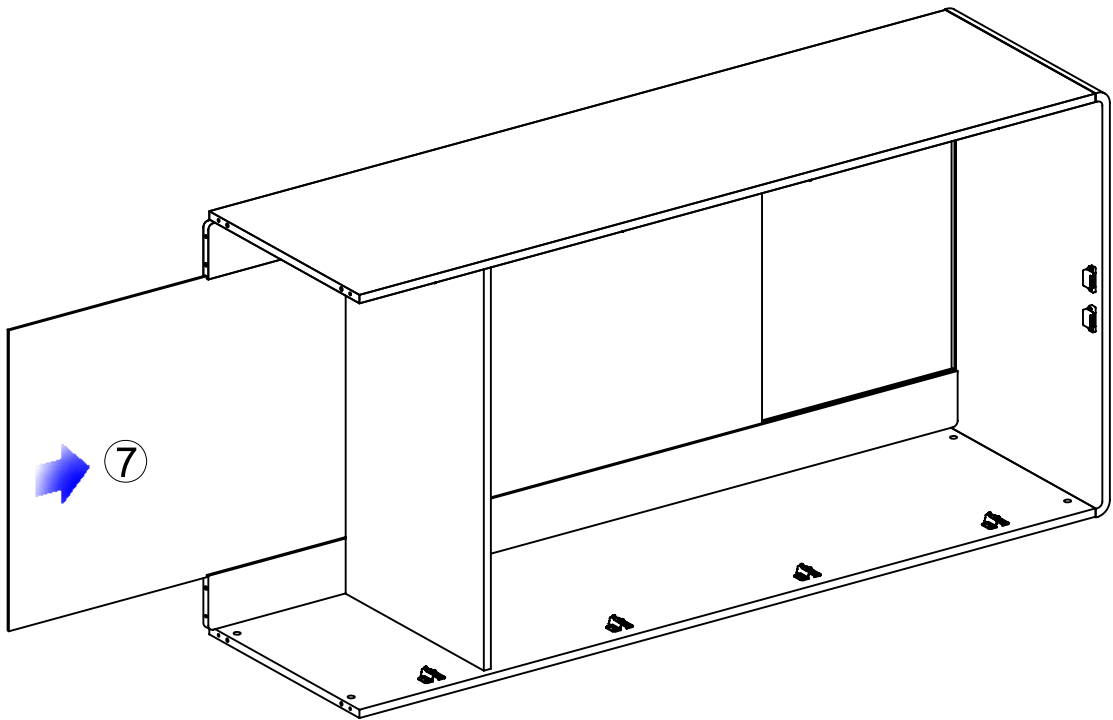


Ax12 pcs ($\phi 6 \times 30$) Bx12 pcs ($\phi 6.5 \times 32$) Cx24 pcs (M4*14)

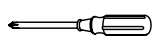
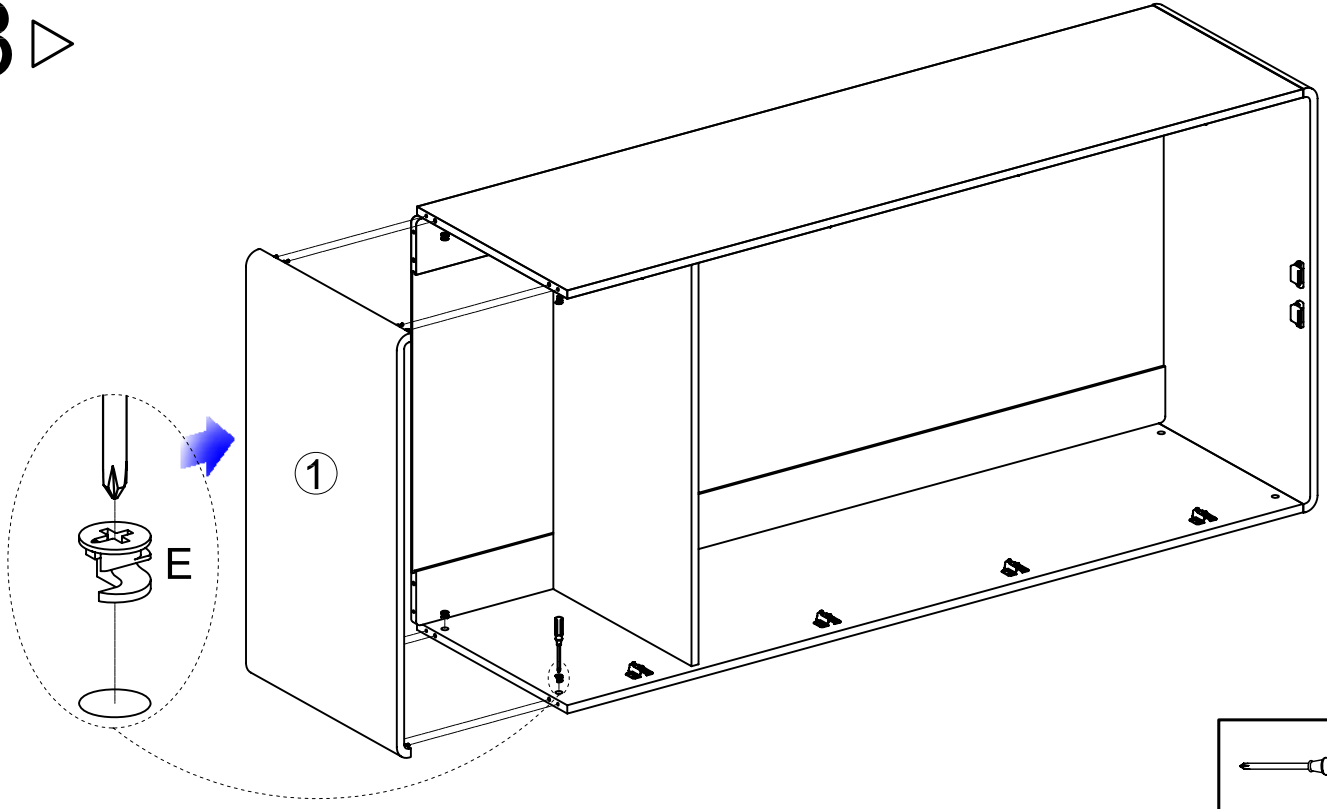

6 ▷



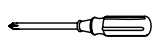
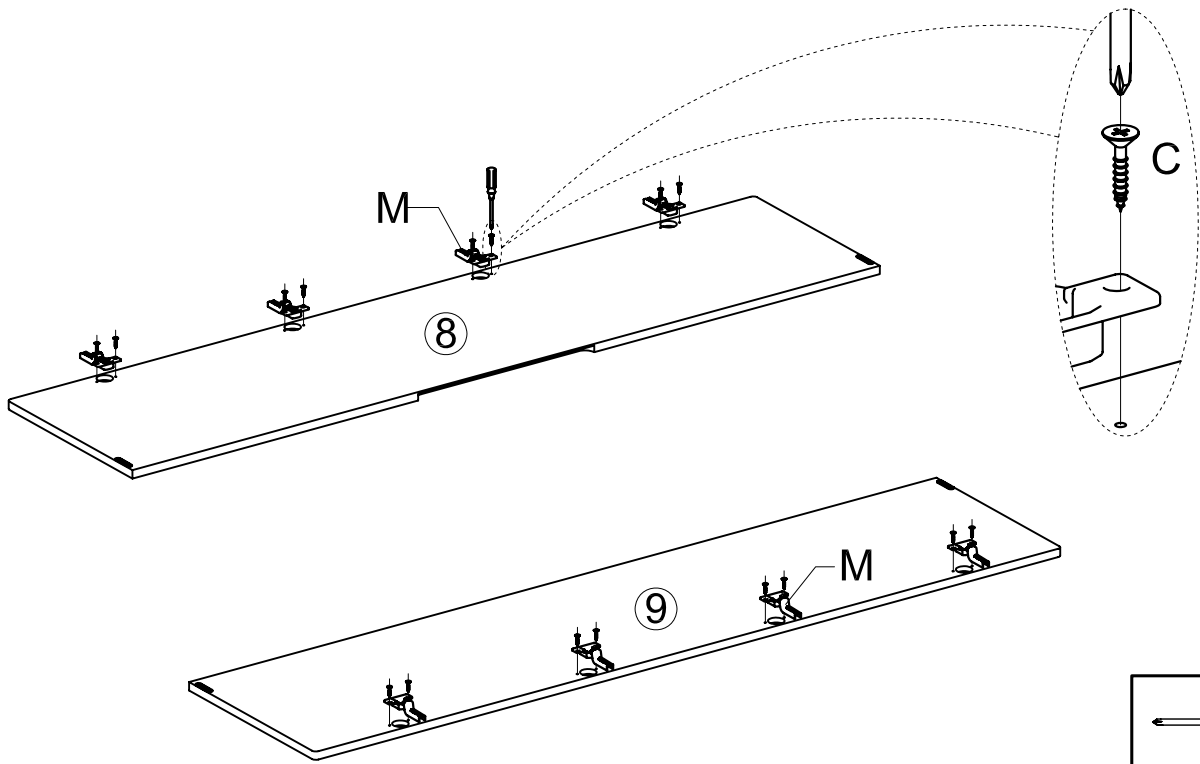


7 ▷



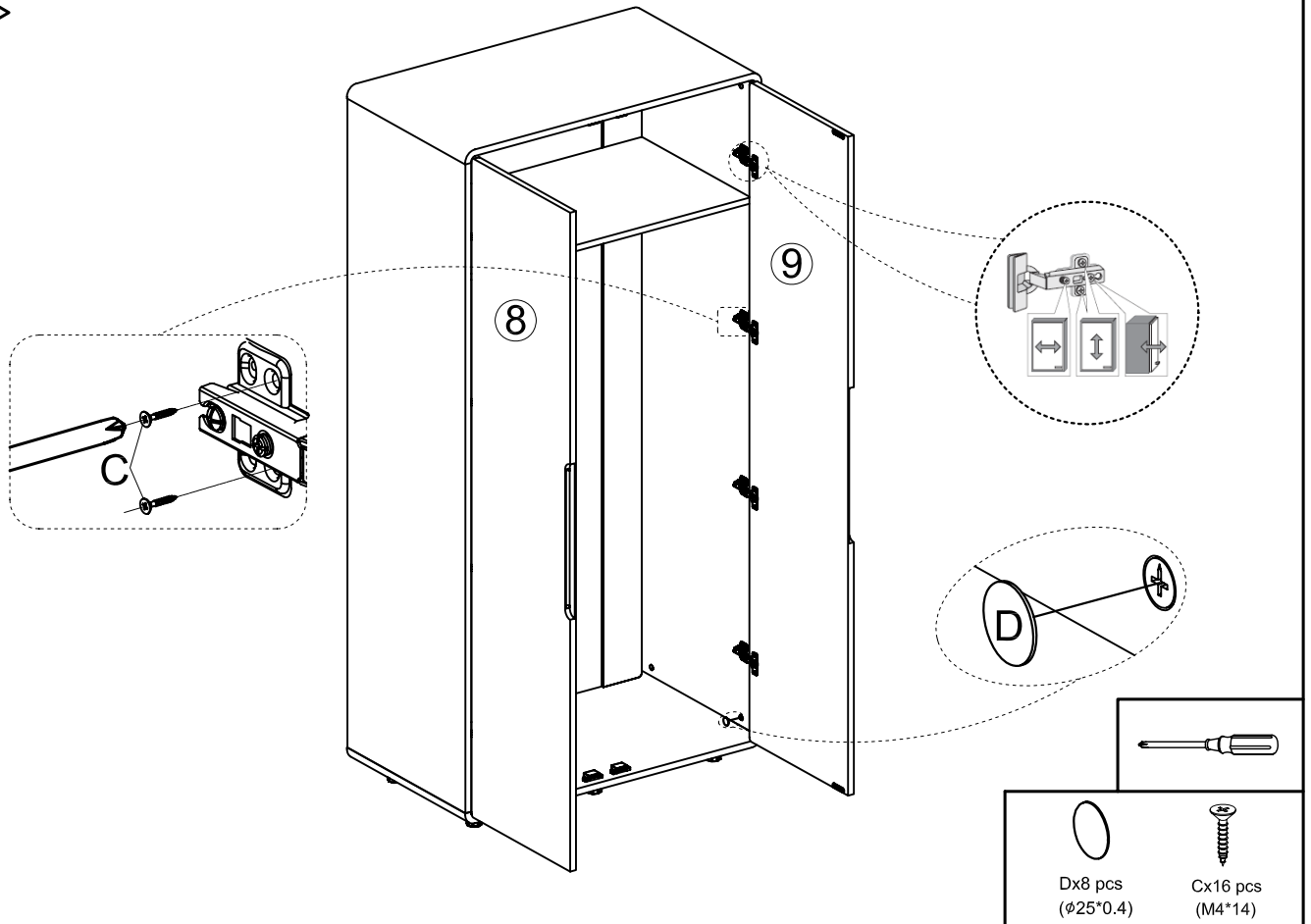
8 ▷



Ex4 pcs
($\phi 15 \times 12$)

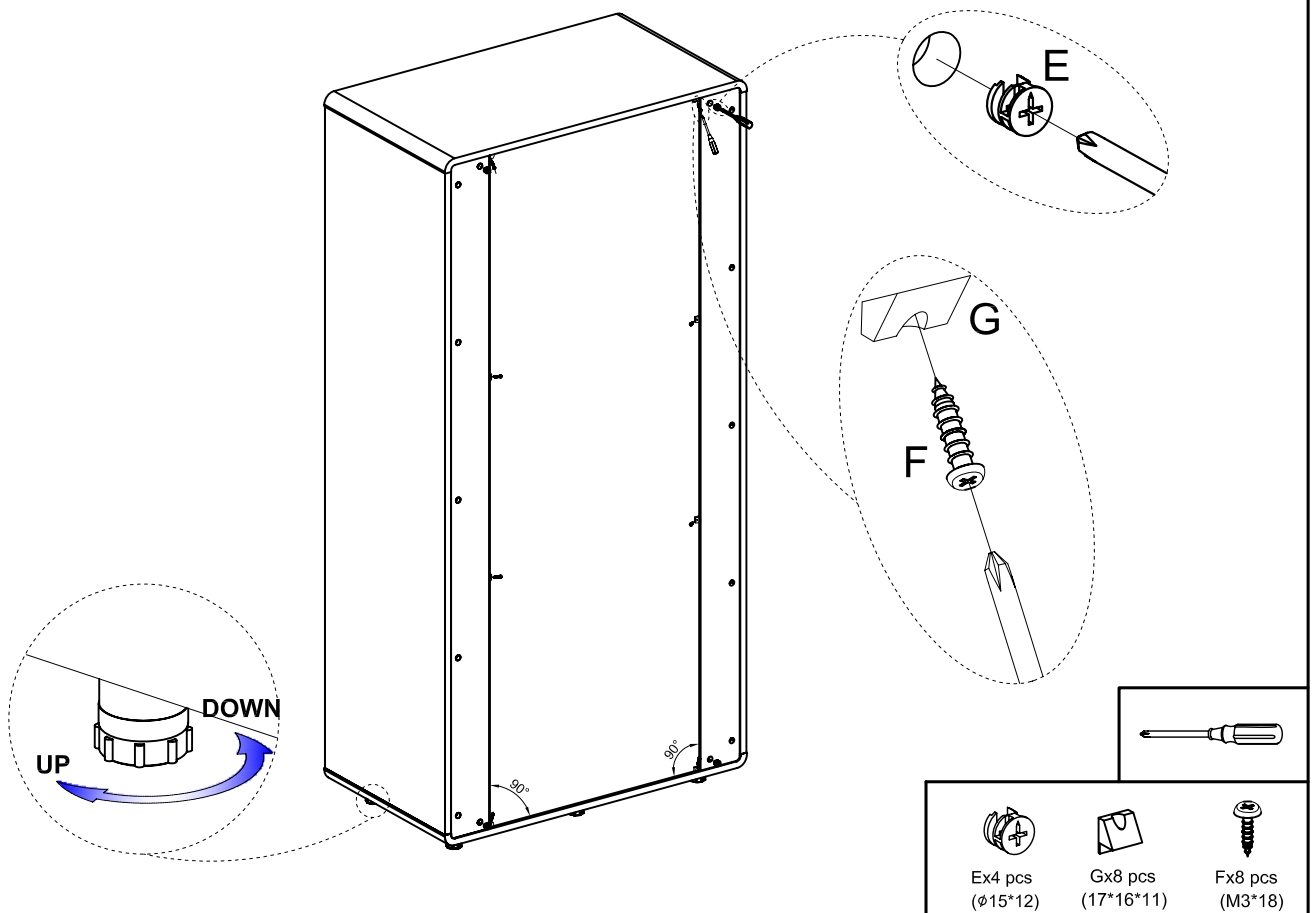
9 ▷



Mx8 pcs
(105*63*38)

Cx16 pcs
(M4*14)

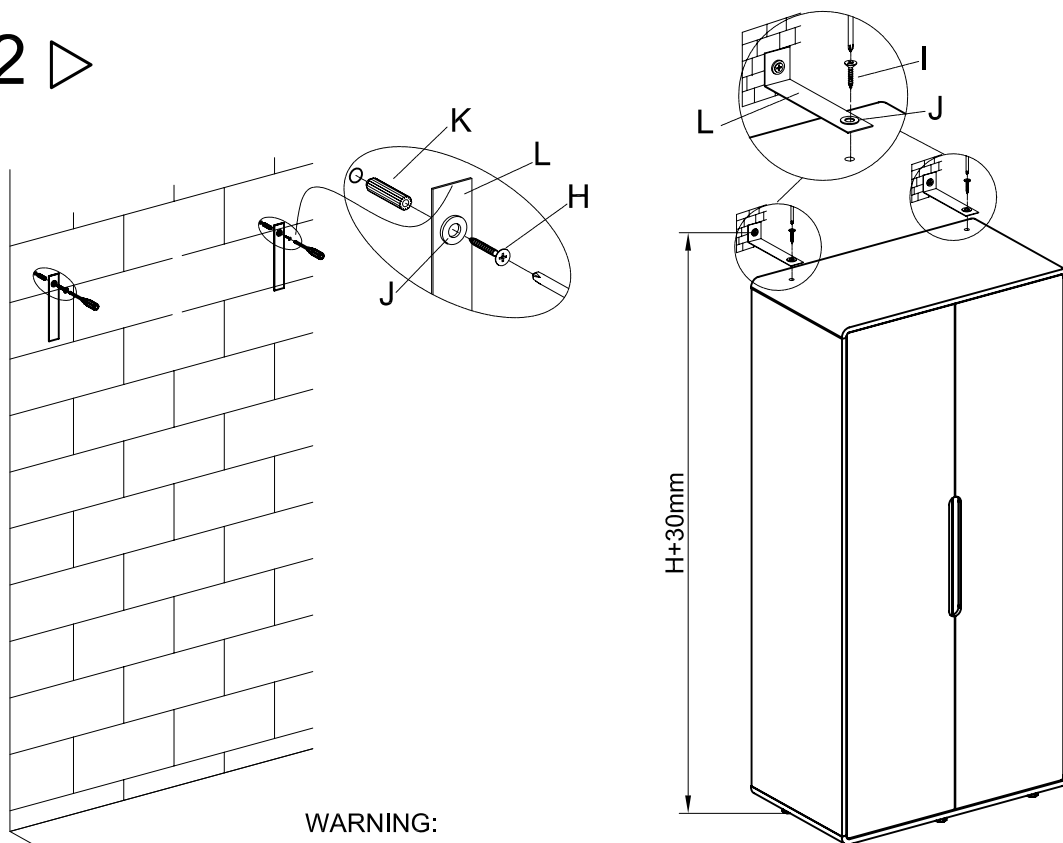
10 ▷








11 ▷



12 ▷



WARNING:
 THE WALL TIE IS SUPPLIED TO ATTACH THE
 PRODUCT TO THE WALL. PLEASE ENSURE THE
 CORRECT FIXING PLUG IS USED FOR THE TYPE
 OF WALL. IF YOU ARE UNSURE, WE RECOMMEND
 YOU CONSULT A PROFESSIONAL.

- | | | | | |
|---|---|---|---|---|
|  |  |  |  |  |
| Hx2 pcs
(M4*25) | Ix2 pcs
(M4*16) | Jx4 pcs
($\phi 12 \times \phi 4 \times 1.5$) | Kx2 pcs
($\phi 6 \times 25$) | Lx2 pcs
(20*1.5*200) |

Finish ▷

