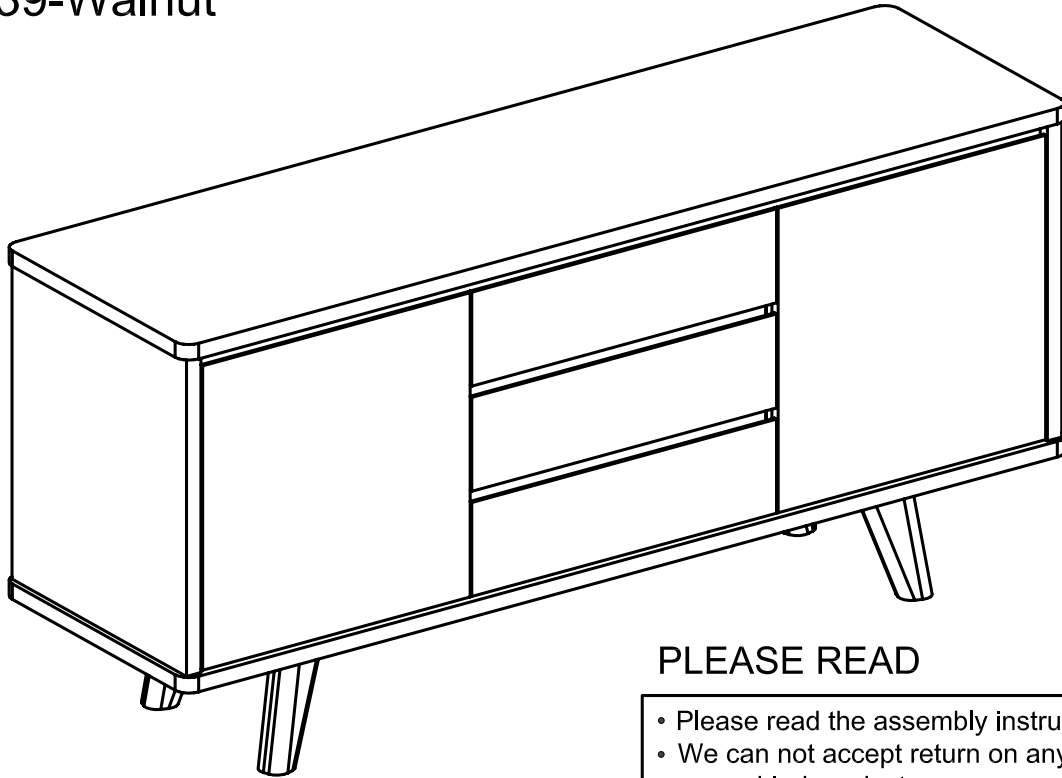


# dwell

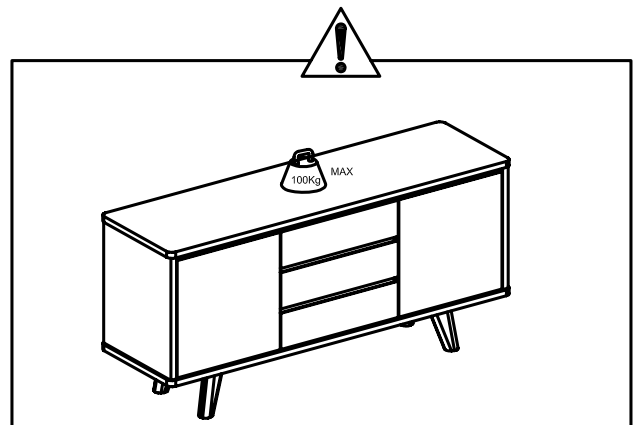
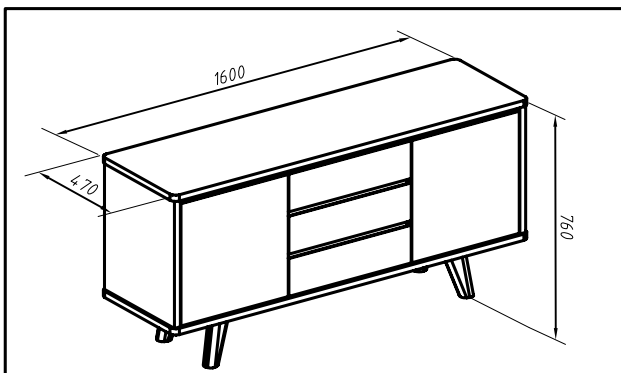
## Retro sideboard

110339-Walnut

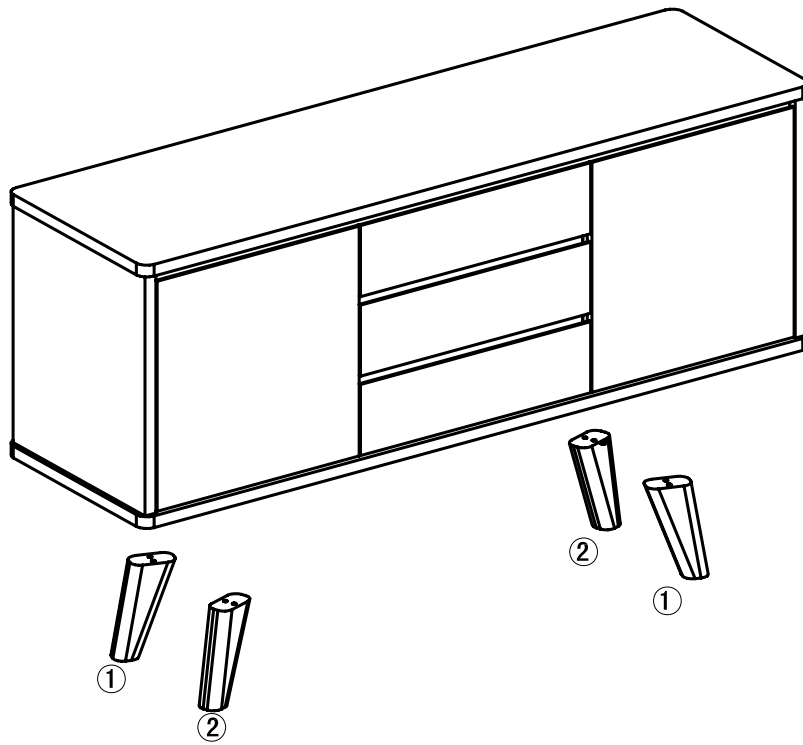


### PLEASE READ

- Please read the assembly instructions carefully.
- We can not accept return on any part or fully assembled products.
- Identify each part of the furniture before assembly using the instructions.
- Check all pieces are present and correct.
- Ensure you have all of the correct tools needed for assembly.
- Clear a suitable place to work.
- Never force the fittings together.
- Do not fully tighten any screws until all pieces of the main structure are in place.
- Keep these instructions for future assembly.



# COMPONENTS



## TOOLS INCLUDED



## HARDWARE



Ax8pcs  
(M6\*20)

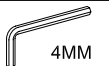
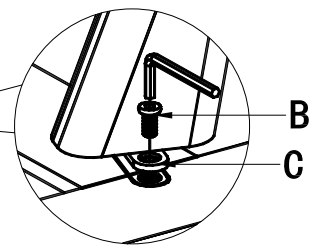
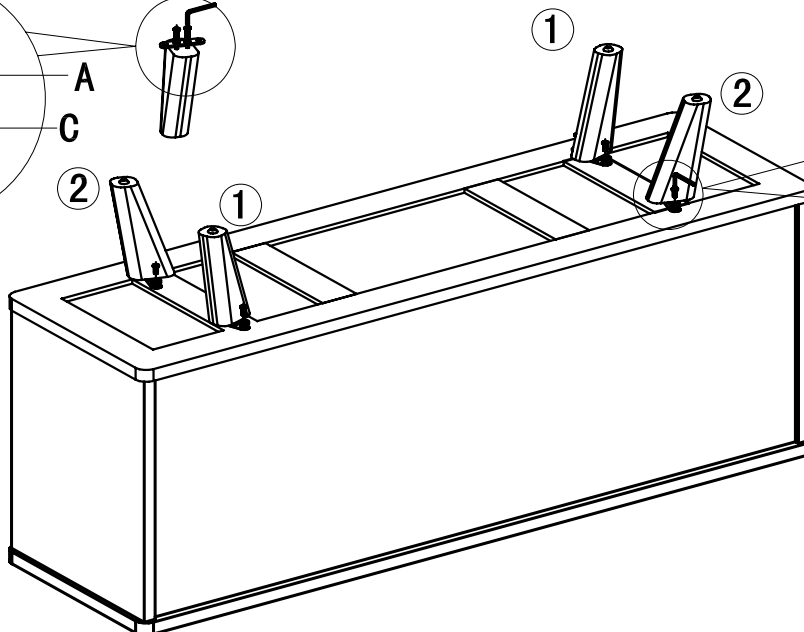
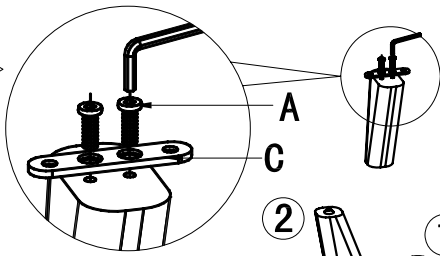


Bx8 pcs  
(M6\*16)



Cx4 pcs  
(20\*5\*90)

1



Ax8pcs  
(M6\*20)



Bx8 pcs  
(M6\*16)



Cx4 pcs  
(20\*5\*90)

2 ▷

