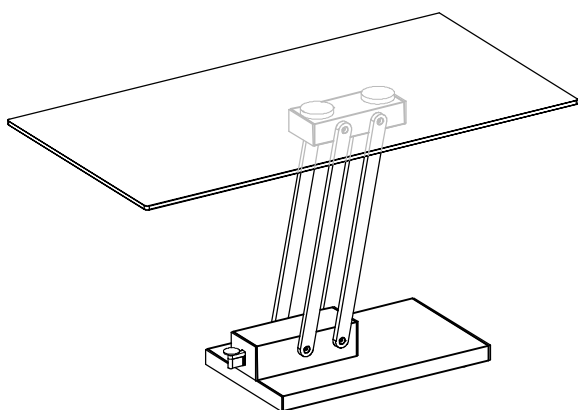


# dwell Dining Table

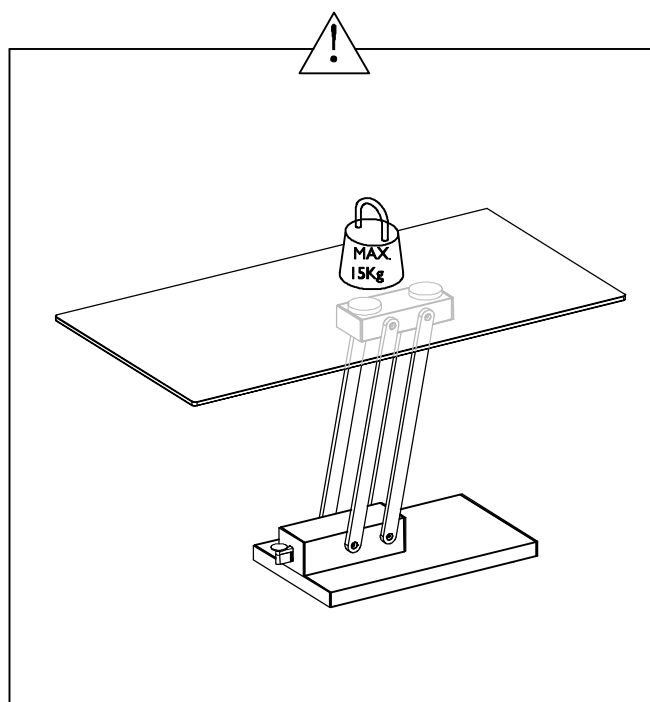
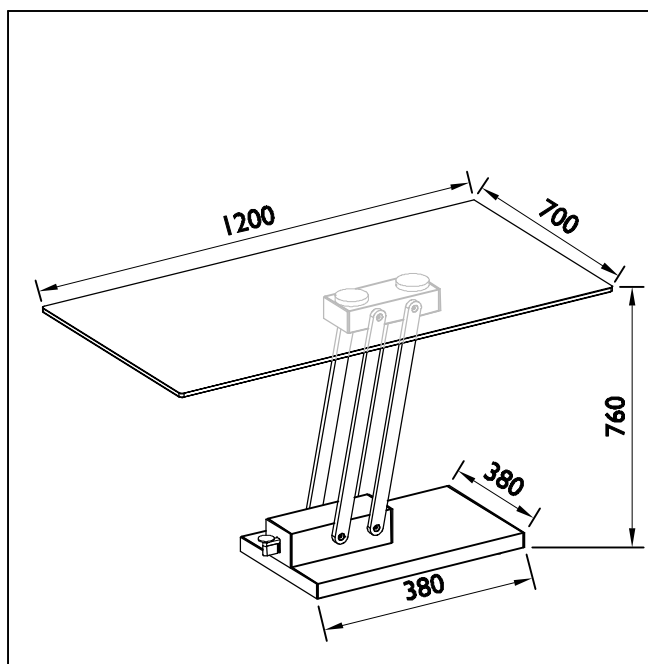
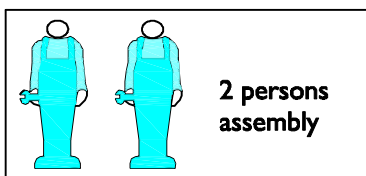
J9721 109872 Black  
109873 Clear

Coffee table has two positions, fully up or fully down.



## PLEASE READ

- Please read the assembly Instructions carefully.
- We cannot accept return on any part or fully assembled products.
- Identify each part of the furniture before assembly using the instructions.
- Check all pieces are present and correct.
- Ensure you have all of the correct tools needed for assembly.
- Clear a suitable place to work.  
Never force the fittings together.
- Do not fully tighten any screws until all pieces of the main structure are in place.
- Keep these instructions for future assembly.



Please keep these instructions for future reference.

If a glass component is chipped or broken, stop using the product and consult the manufacturer or supplier.

### **Warning!**

Do not place very hot or cold items on the glass surface(s) unless adequately thick table mats are used to prevent such items from coming into contact with the glass.

Do not sit or stand upon horizontal glass surface(s).

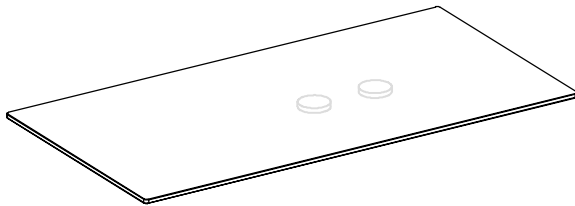
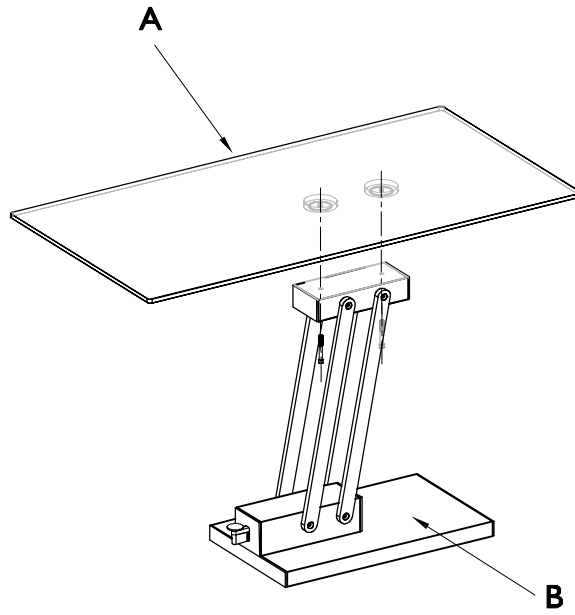
Do not use the glass as a chopping surface.

Do not strike the glass with hard or pointed items.

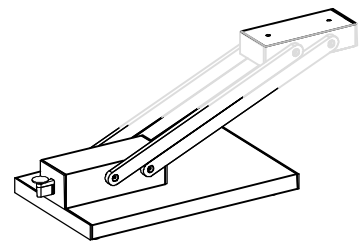
Do not use laptops directly on the surface of the glass. Please make sure that a suitable protective mat is used.

When cleaning glass panels use a damp cloth or lather with washing up liquid or soft soap if necessary: do not use washing powders or any other substances containing abrasives since these substances scratch glass.

**COMPONENTS**



**Ax1 | Top Glass**



**Bx1 | Metal Frame**

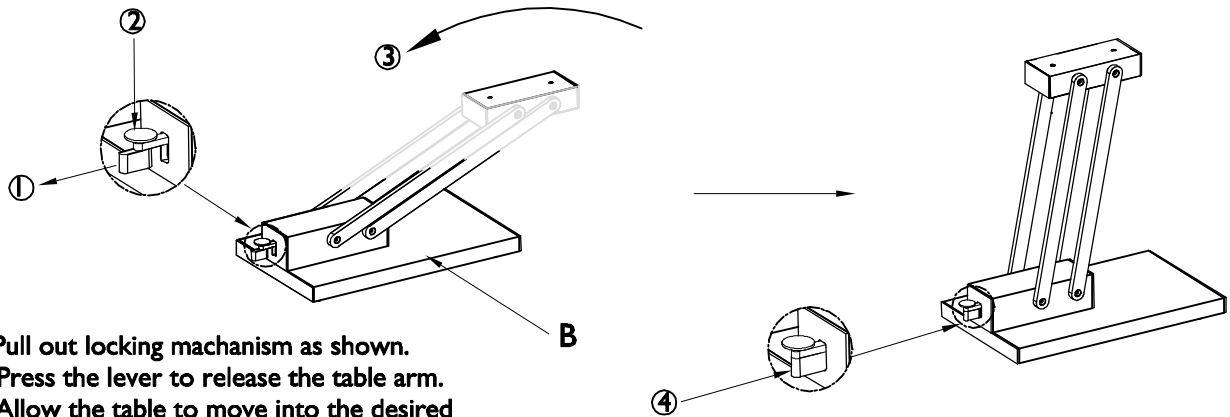
**TOOLS NEEDED**



**HARDWARE**



1 ▷



1. Pull out locking mechanism as shown.
2. Press the lever to release the table arm.
3. Allow the table to move into the desired position for assembly.
4. When in position. Please push locking mechanism into place.

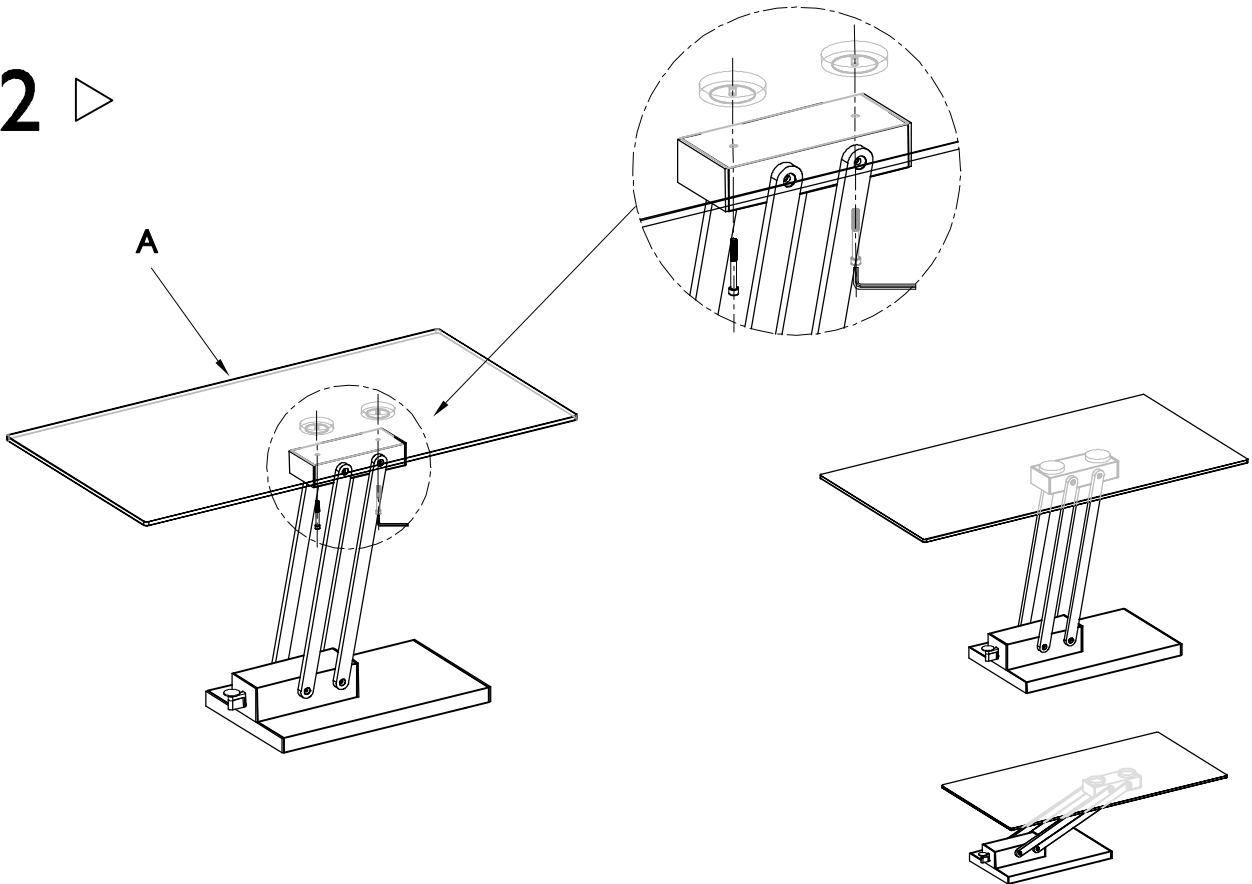
**TOOLS NEEDED**

D  6#

**HARDWARE**

  
Cx2  
M8\*70

2 ▷



## Operation Instruction

