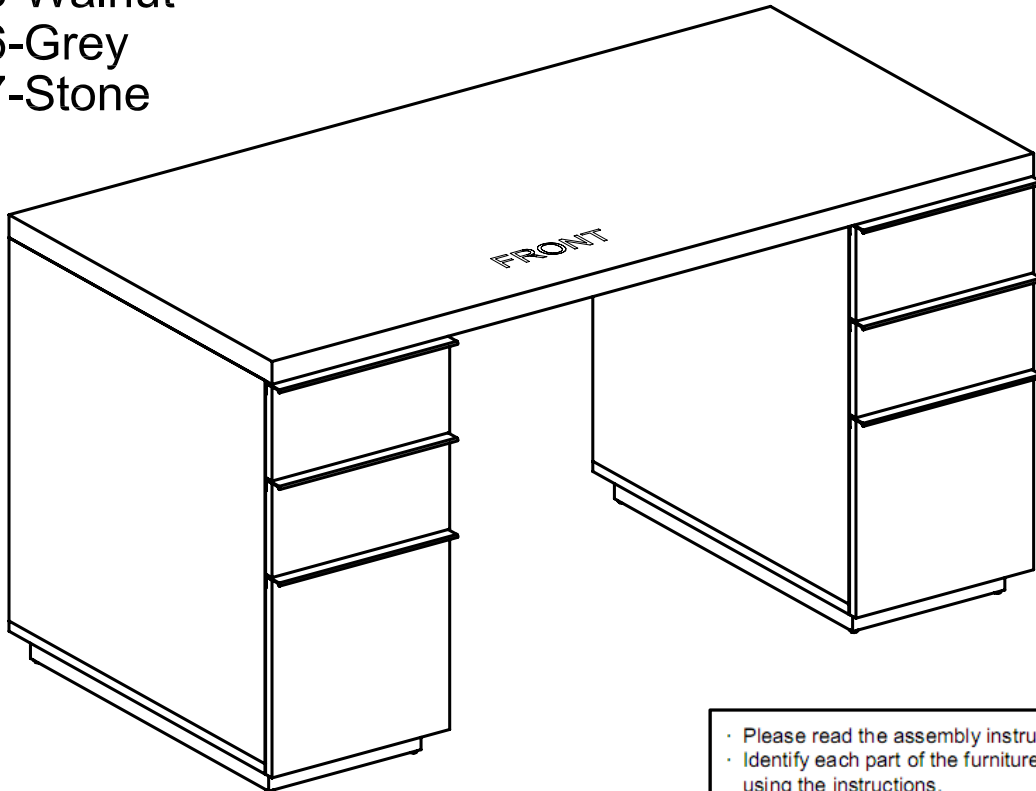


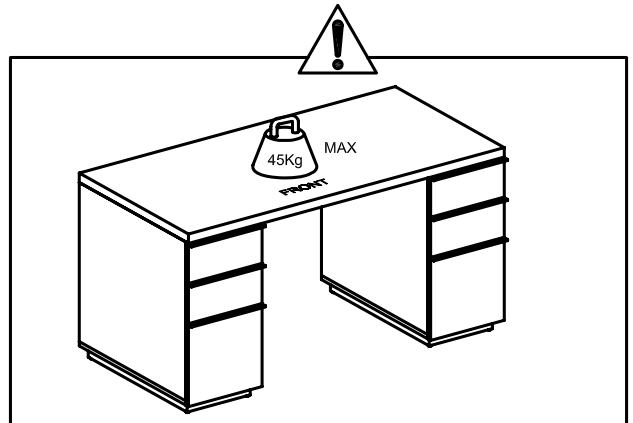
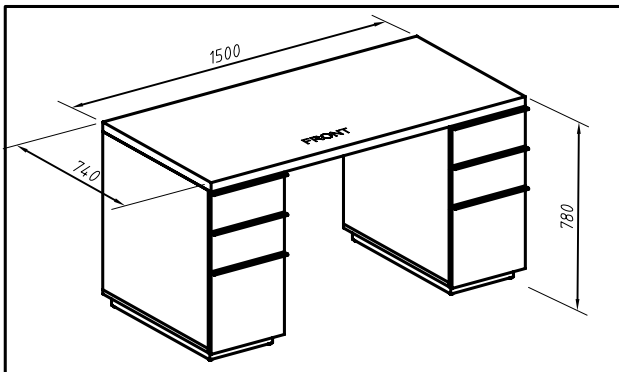
# dwell

## Madison Office Desk

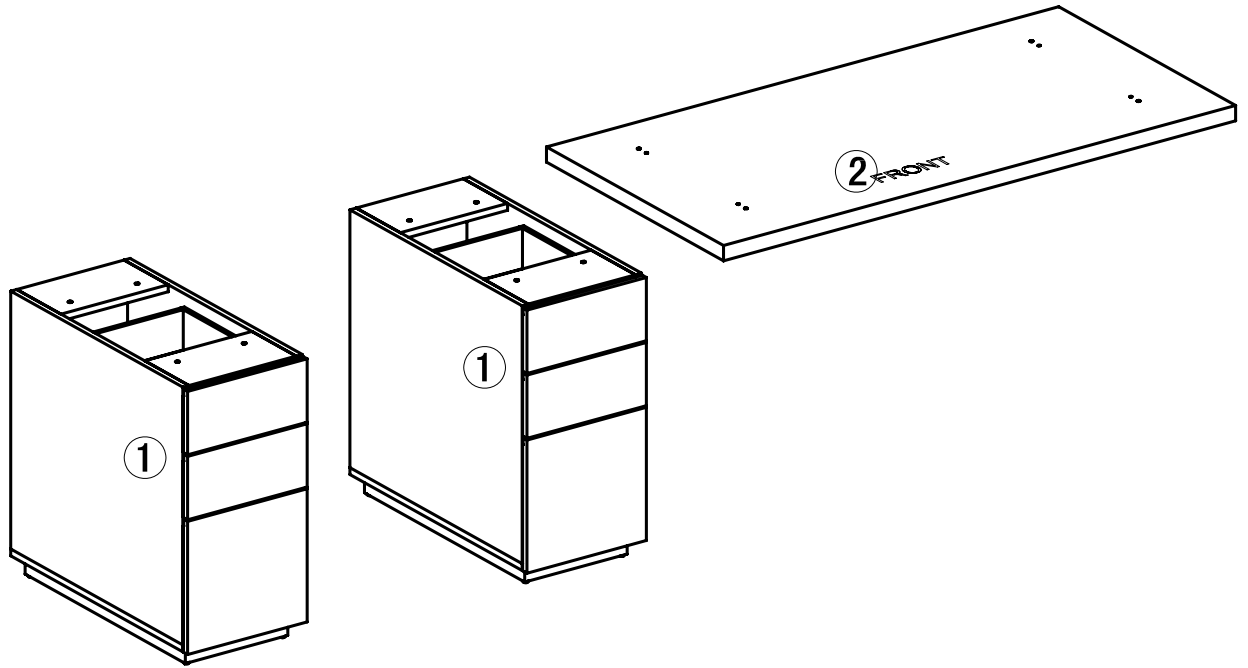
109356-Black  
109357-White  
109358-Walnut  
109686-Grey  
112397-Stone



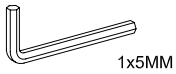
- Please read the assembly instructions carefully.
- Identify each part of the furniture before assembly using the instructions.
- Check all pieces are present and correct.
- Ensure you have all of the correct tools needed for assembly.
- Clear a suitable place to work.
- Never force the fittings together.
- Do not fully tighten any screws until all pieces of the main structure are in place.
- Keep these instructions for future assembly.



# COMPONENTS



## TOOLS INCLUDED



## TOOLS NOT INCLUDED



## HARDWARE



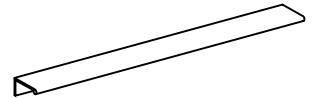
Ax18 pcs  
(M4\*14)



Bx8 pcs  
(Ø8)

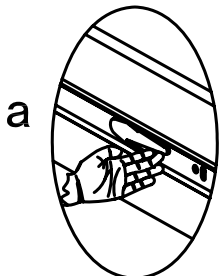


Cx8 pcs  
(M8\*35)

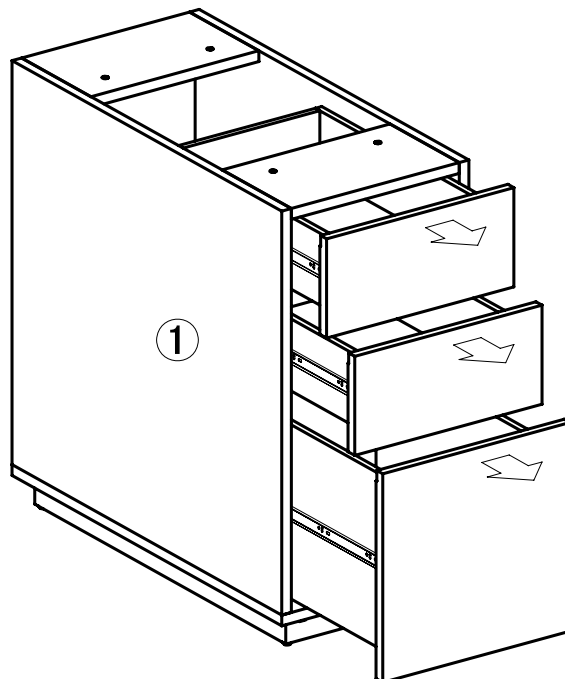


Dx6 pcs  
(41\*20\*348)

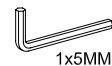
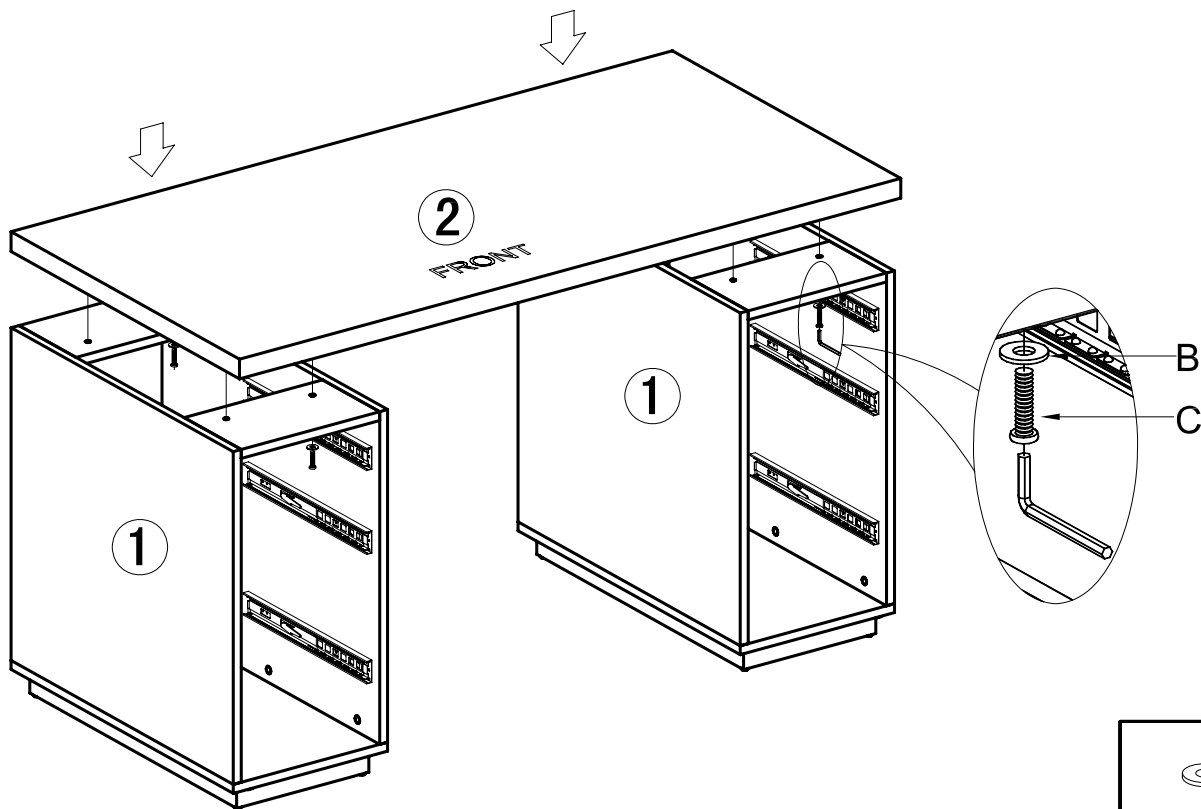
# 1



NOTE: Before attaching the desk top remove the top drawer of the cabinet .To do this release the locks within the drawer runners as shown in picture a.



2 ▷



1x5MM

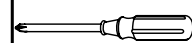
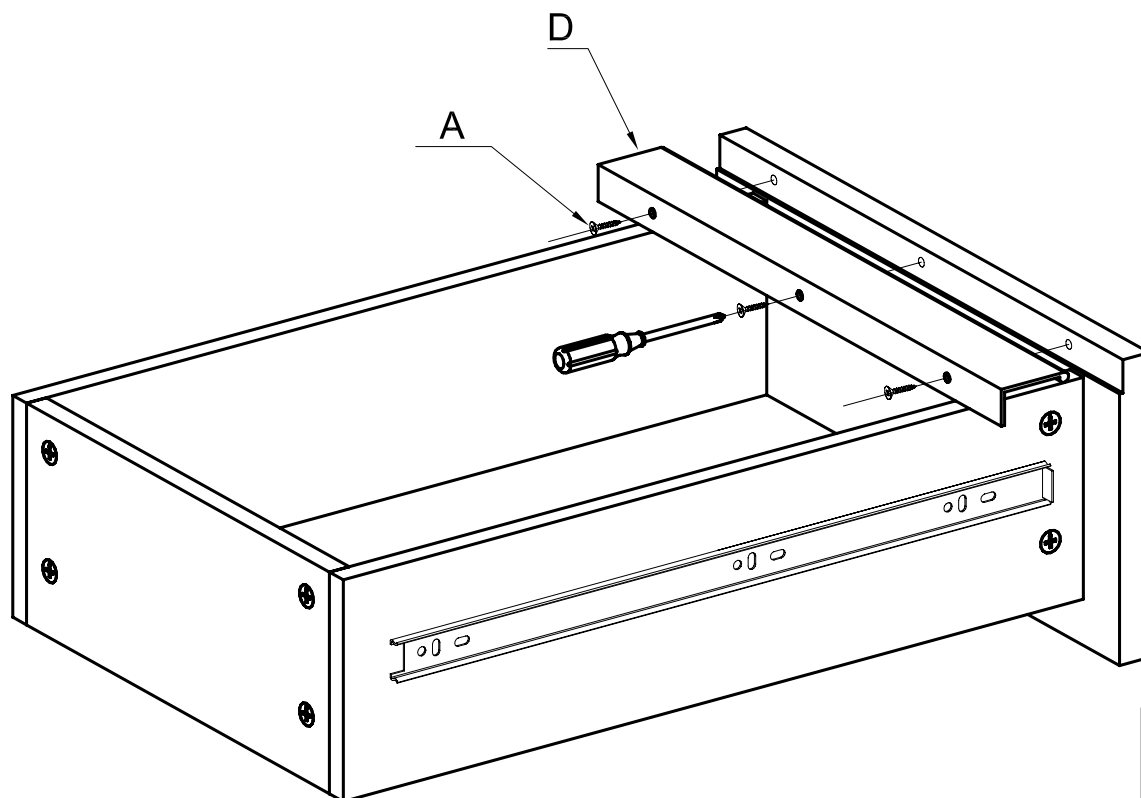


Bx8 pcs  
(Ø8)



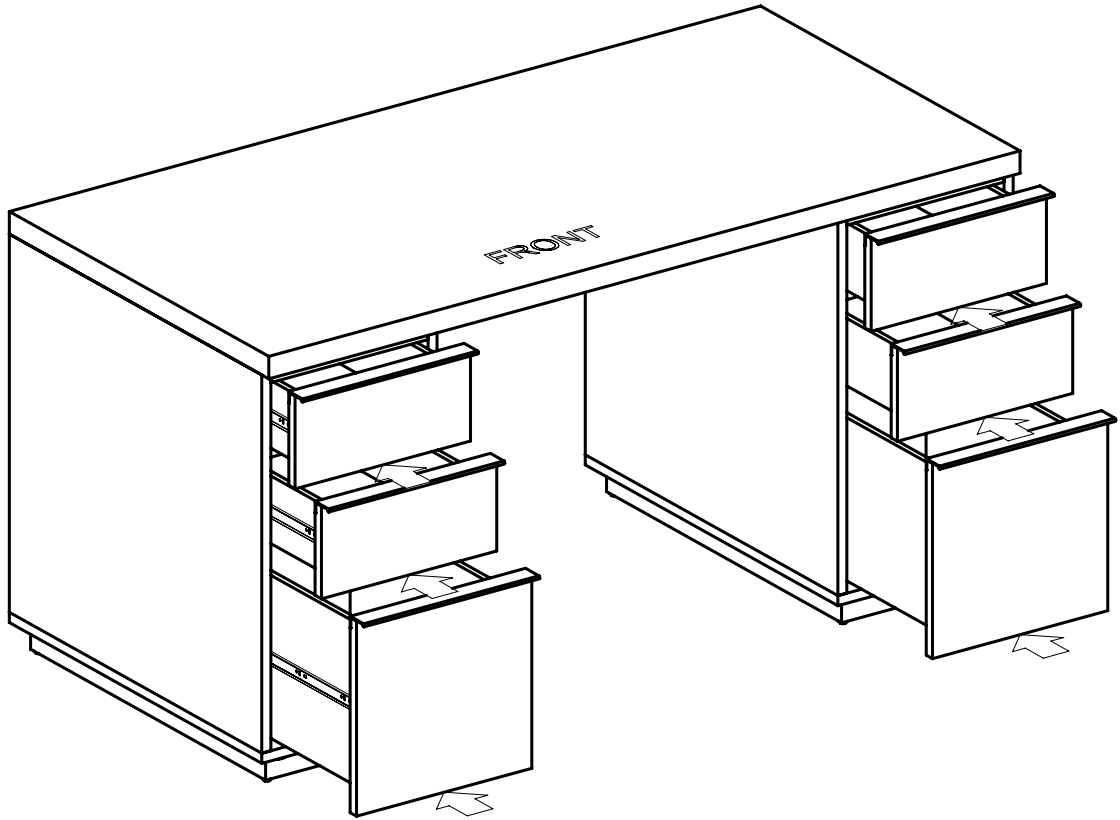
Cx8 pcs  
(M8\*35)

3 ▷



Ax18 pcs  
(M4\*14)

4 ▷



5 ▷

