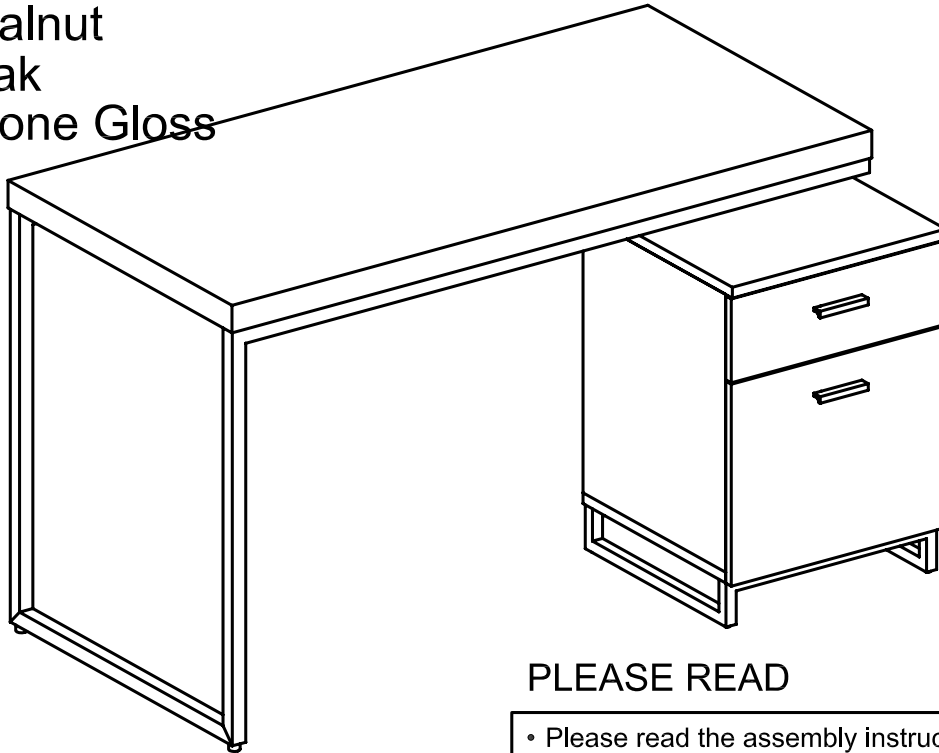


# dwell

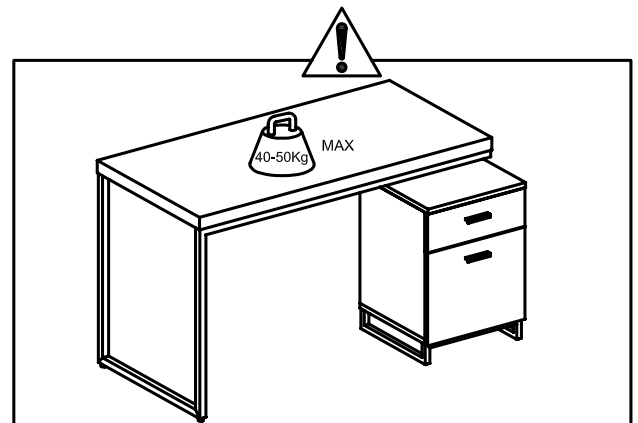
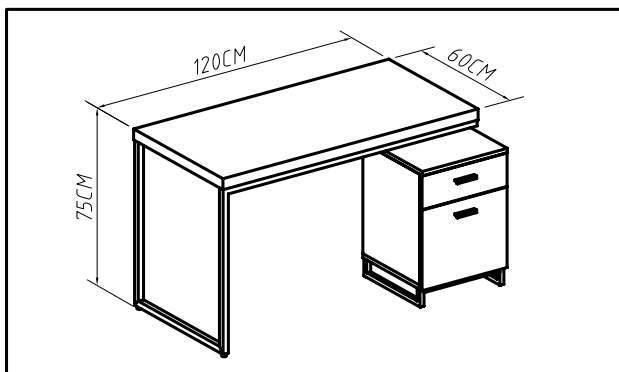
## Reversible Desk

108222-Black Gloss  
108223-White Gloss  
108224-Walnut  
112262-Oak  
112548-Stone Gloss

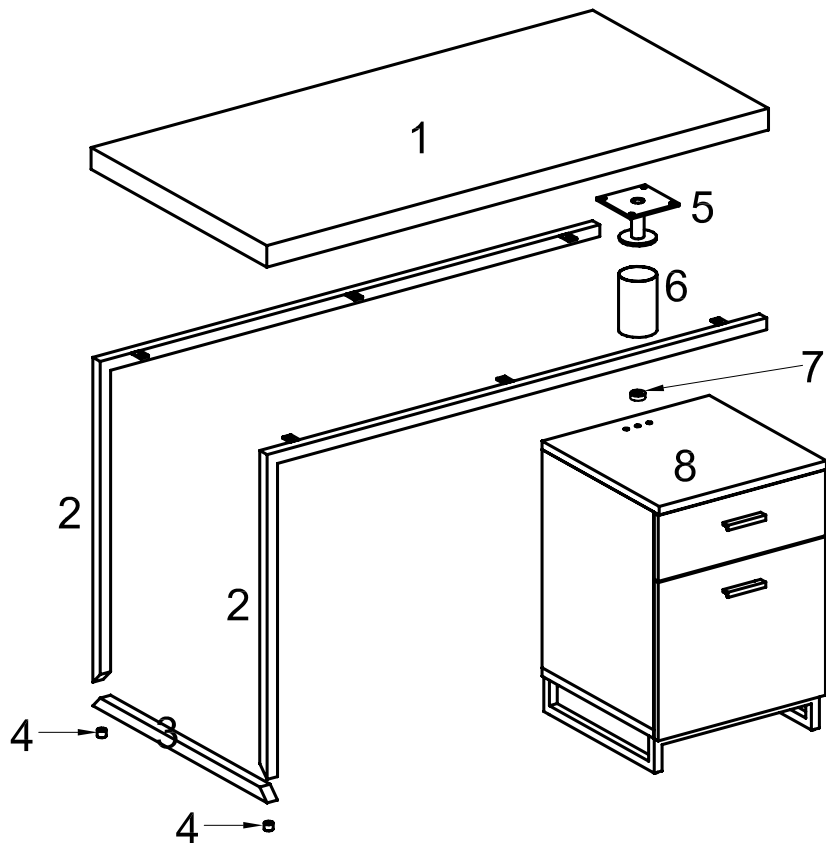


### PLEASE READ

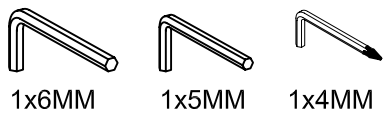
- Please read the assembly instructions carefully.
- We can not accept return on any part or fully assembled products.
- Identify each part of the furniture before assembly using the instructions.
- Check all pieces are present and correct.
- Ensure you have all of the correct tools needed for assembly.
- Clear a suitable place to work.
- Never force the fittings together.
- Do not fully tighten any screws until all pieces of the main structure are in place.
- Keep these instructions for future assembly.



# COMPONENTS



## TOOLS INCLUDED



1x6MM

1x5MM

1x4MM

## HARDWARE



Ax2 pcs  
(M8\*60)



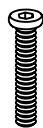
Bx10 pcs  
(M8\*25)



Cx13 pcs  
(Ø8)

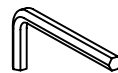
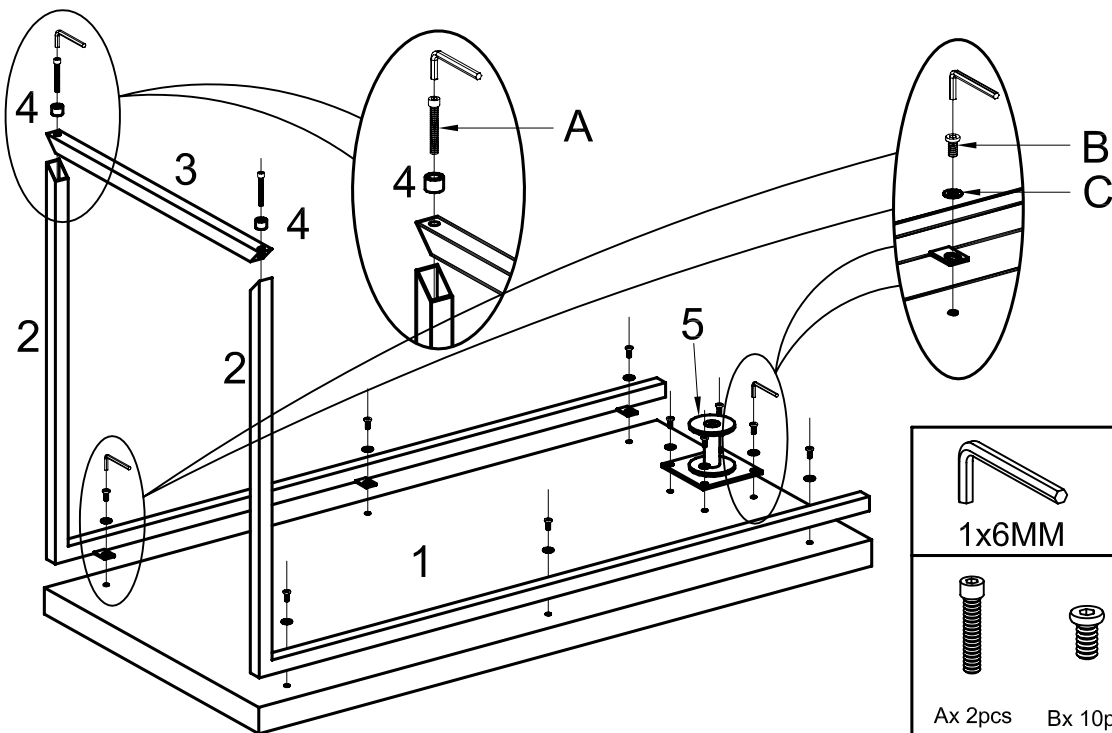


Dx2 pcs  
(M8\*30)



Ex1 pc  
(M8\*90)

1 ▶



1x6MM



1x5MM



Ax 2pcs

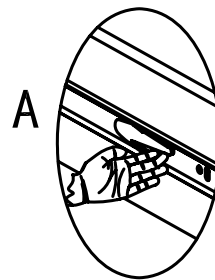
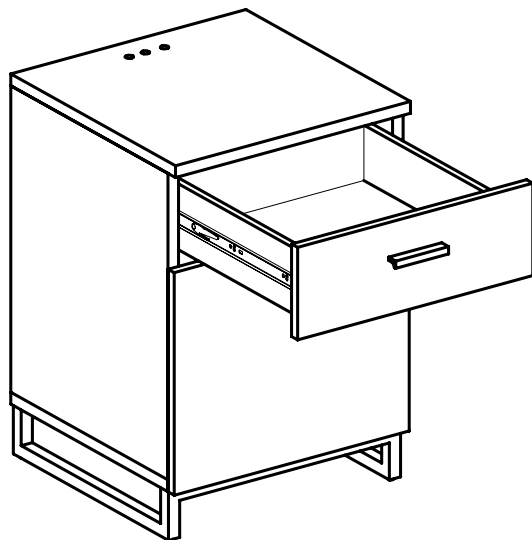


Bx 10pcs



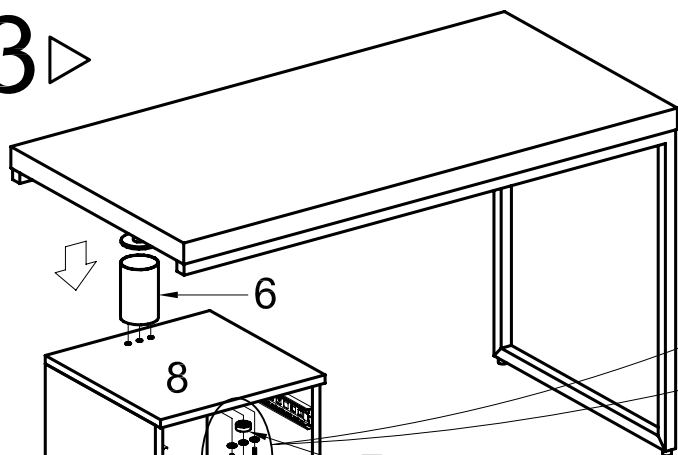
Cx 10pcs

2 ▶



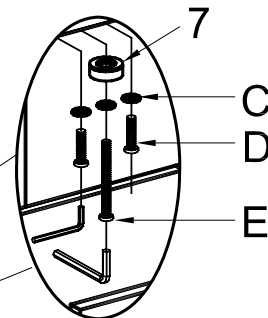
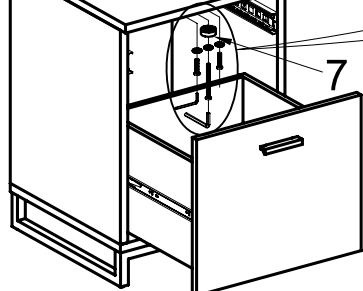
NOTE: Before attaching the desk top remove the top drawer of the cabinet .To do this release the locks within the drawer runners as shown in picture A.

3 ▶

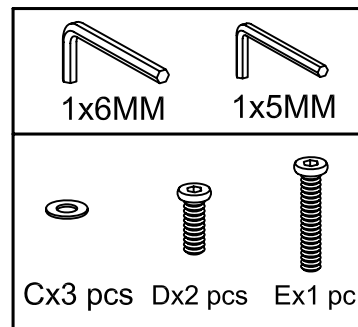


6

8



NOTE: Attach desk top from beneath top of drawers.  
To increase stability of desk top please tighten bolt E.



4 ▶

