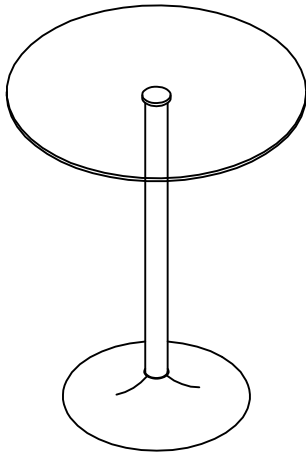


dwell

Palermo round bar table clear

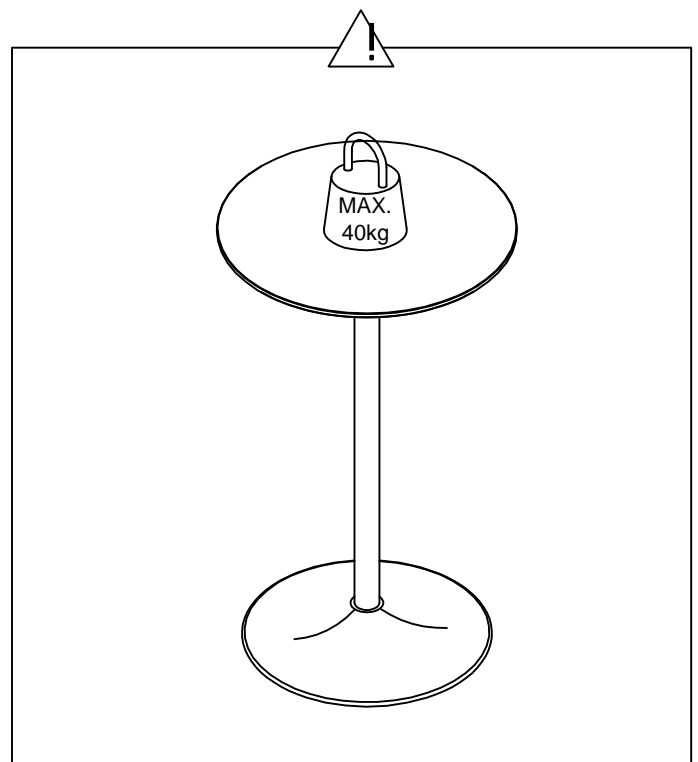
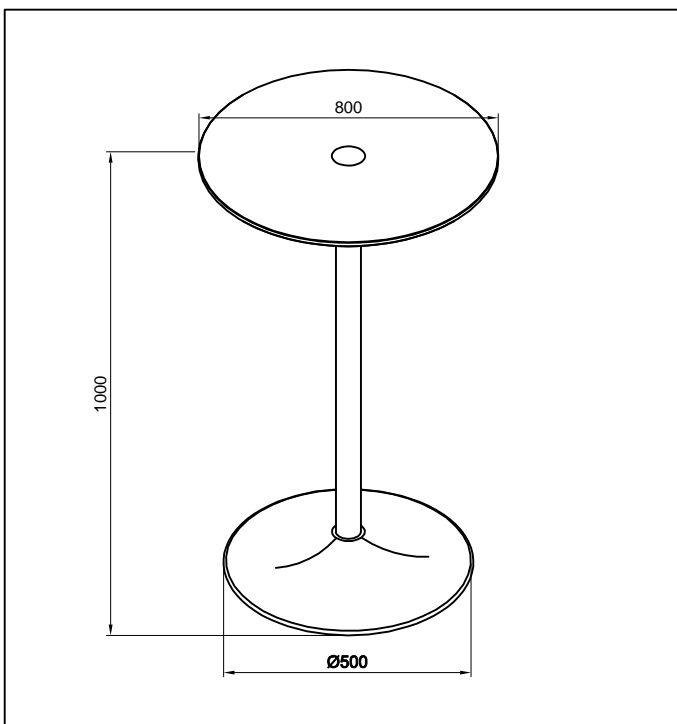
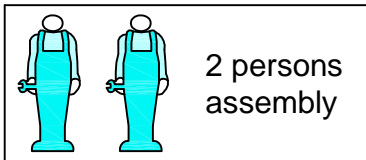
104965 - Clear glass top
109285 - Black glass top
111120 - Stone glass top

111121 - Blue glass top
111667 - Red glass top
111668 - White glass top



PLEASE READ

- Please read the assembly Instructions carefully.
- We cannot accept return on any part or fully assembled products.
- Identify each part of the furniture before assembly using the instructions.
- Check all pieces are present and correct.
- Ensure you have all of the correct tools needed for assembly.
- Clear a suitable place to work.
- Never force the fittings together.
- Do not fully tighten any screws until all pieces of the main structure are in place.
- Keep these instructions for future assembly.



Please keep these instructions for future reference.

If a glass component is chipped or broken, stop using the product and consult the manufacturer or supplier.

Warning!

Do not place very hot or cold items on the glass surface(s) unless adequately thick table mats are used to prevent such items from coming into contact with the glass.

Do not sit or stand upon horizontal glass surface(s).

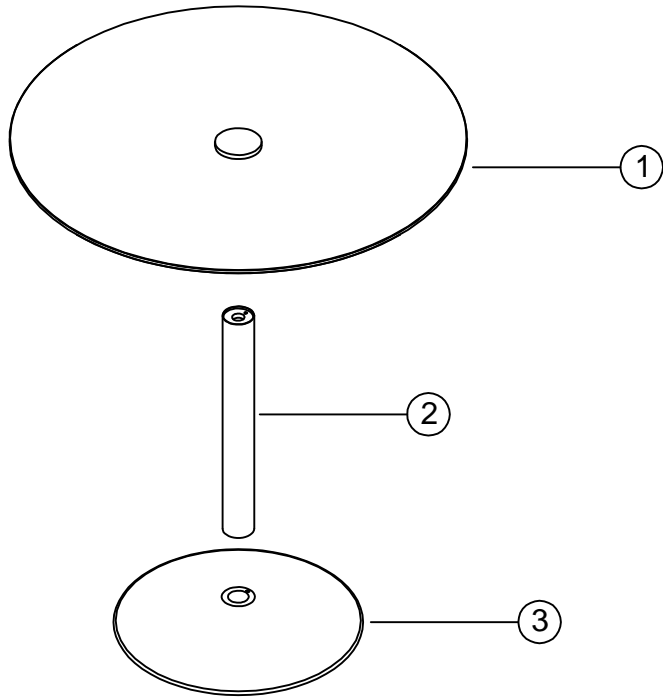
Do not use the glass as a chopping surface.

Do not strike the glass with hard or pointed items.

Do not use laptops directly on the surface of the glass. Please make sure that a suitable protective mat is used.

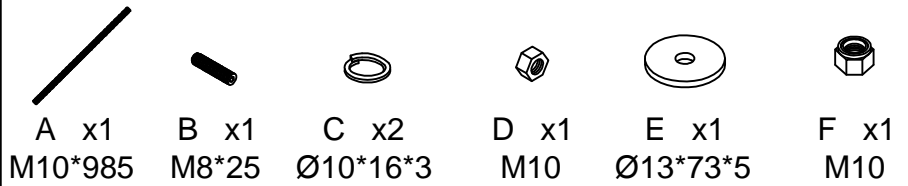
When cleaning glass panels use a damp cloth or lather with washing up liquid or soft soap if necessary: do not use washing powders or any other substances containing abrasives since these substances scratch glass.

COMPONENTS

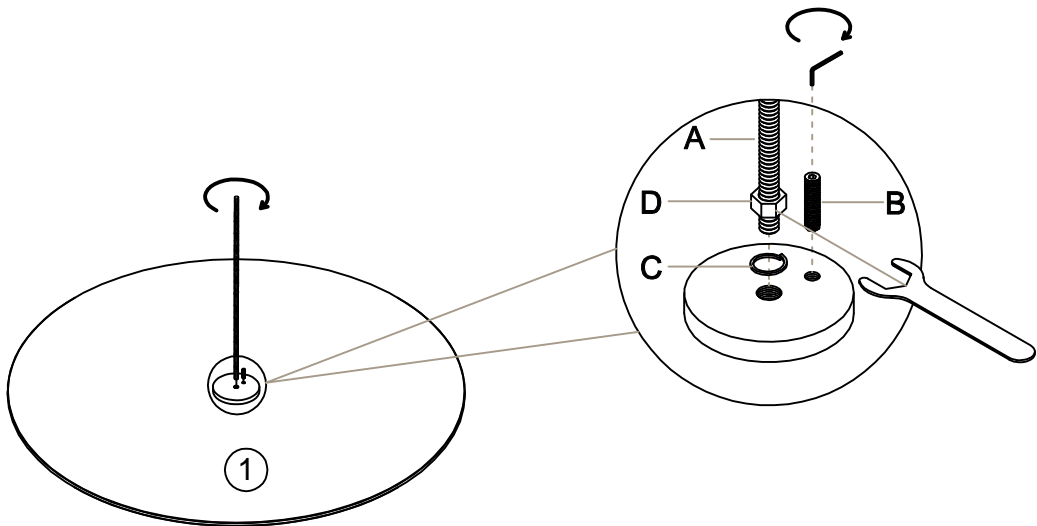


TOOLS NEEDED

HARDWARE

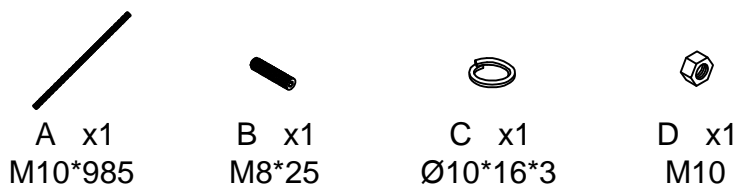


1 ▷

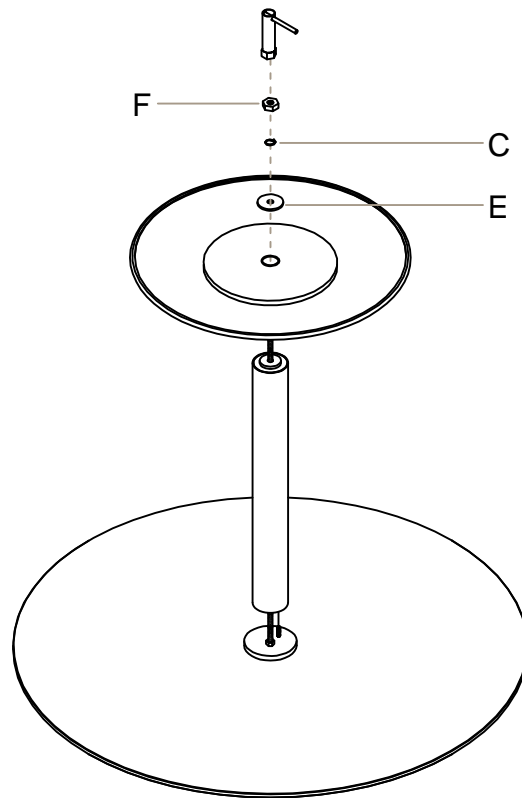


TOOLS NEEDED

HARDWARE



2 ▷



TOOLS NEEDED



M17

HARDWARE



C x1
Ø10*16*3



E x1
Ø13*73*5



F x1
M10

3 ▷

