

# dwell

## Retro Bar Stool

110152 - Red PU

105552 - Brown PU

105553 - Cream PU

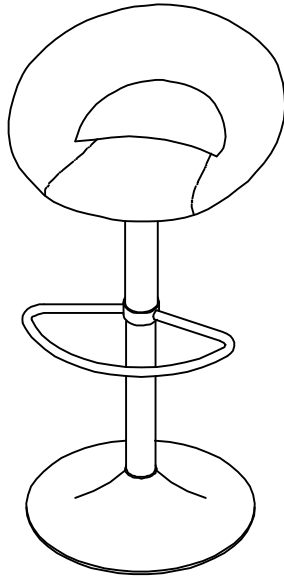
111124 - Tan PU

104159 - White PU

104160 - Black PU

106401 - Coffee PU

112463 - Grey PU

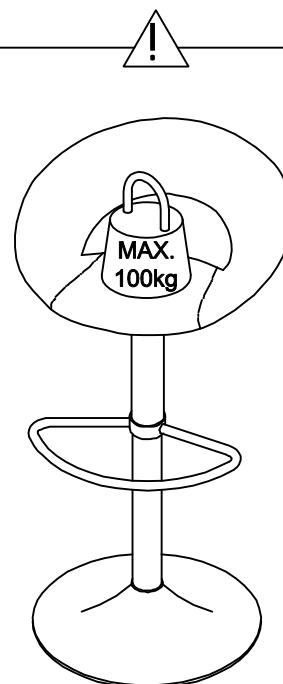
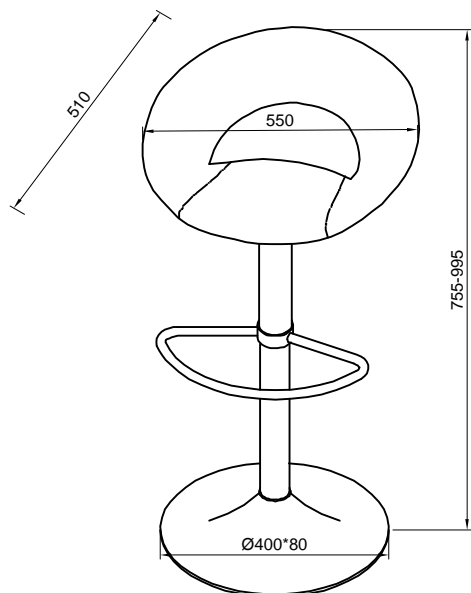


### PLEASE READ

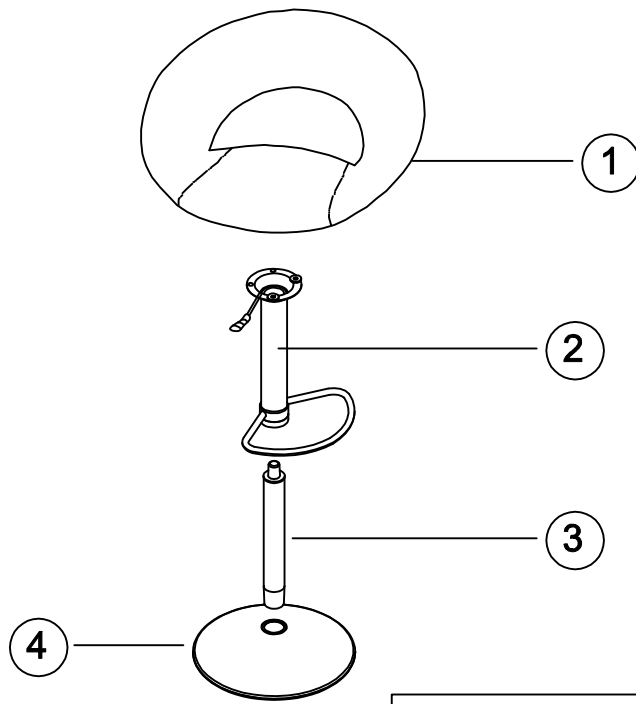
- Please read the assembly Instructions carefully.
- We cannot accept return on any part or fully assembled products.
- Identify each part of the furniture before assembly using the instructions.
- Check all pieces are present and correct.
- Ensure you have all of the correct tools needed for assembly.
- Clear a suitable place to work.
- Never force the fittings together.
- Do not fully tighten any screws until all pieces of the main structure are in place.
- Keep these instructions for future assembly.



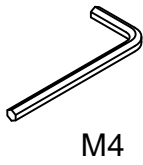
1 person  
assembly



COMPONENTS



TOOLS NEEDED

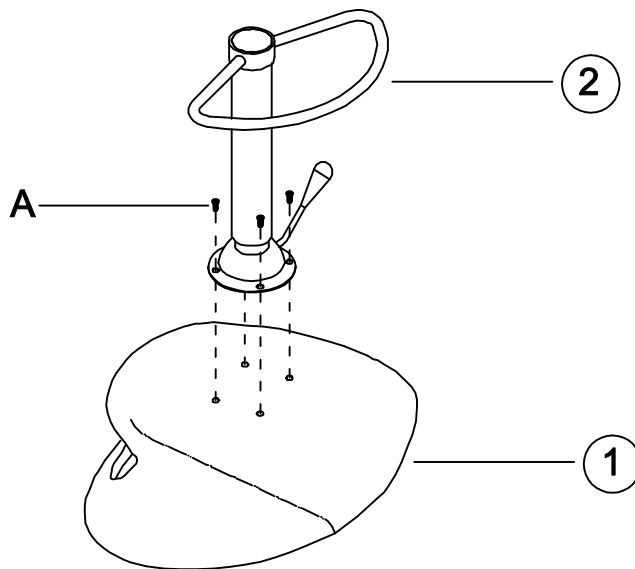


HARDWARE

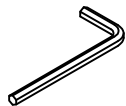


A x4  
M6\*10

1 ▷



TOOLS NEEDED



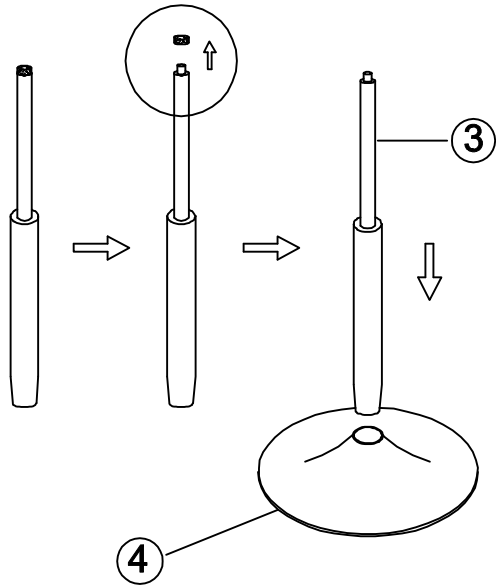
HARDWARE



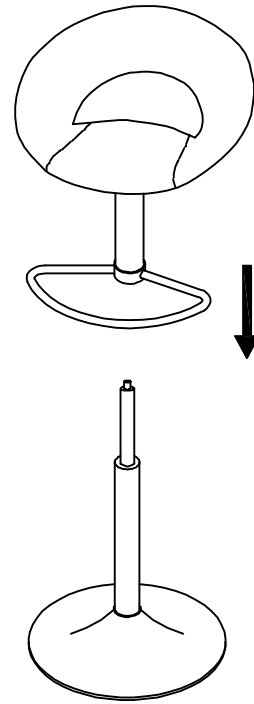
A x4  
M6\*10

2 ▷

Remove the red cap  
before assembling!



3 ▷



TOOLS NEEDED

HARDWARE

4 ▷

